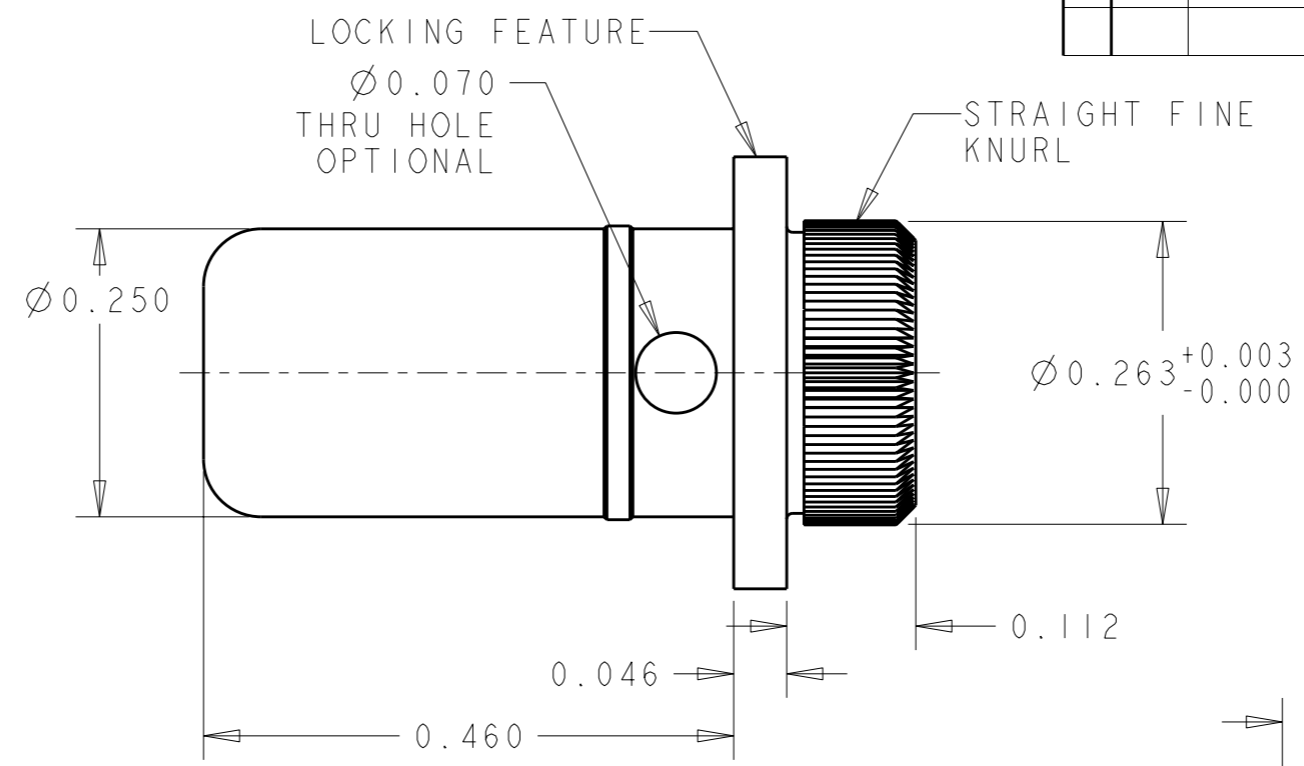
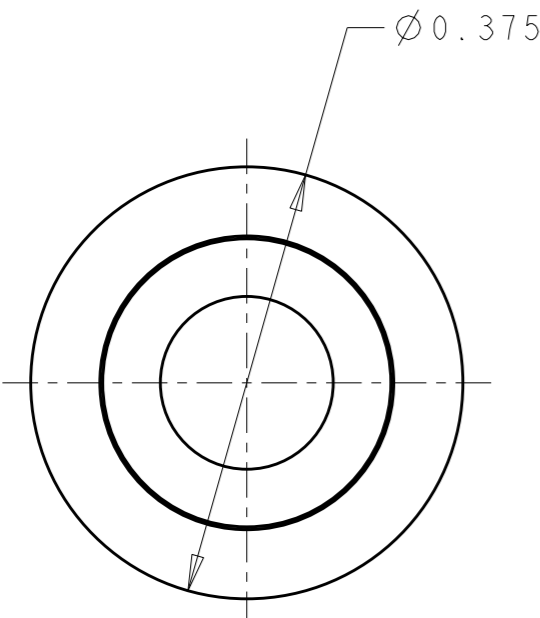
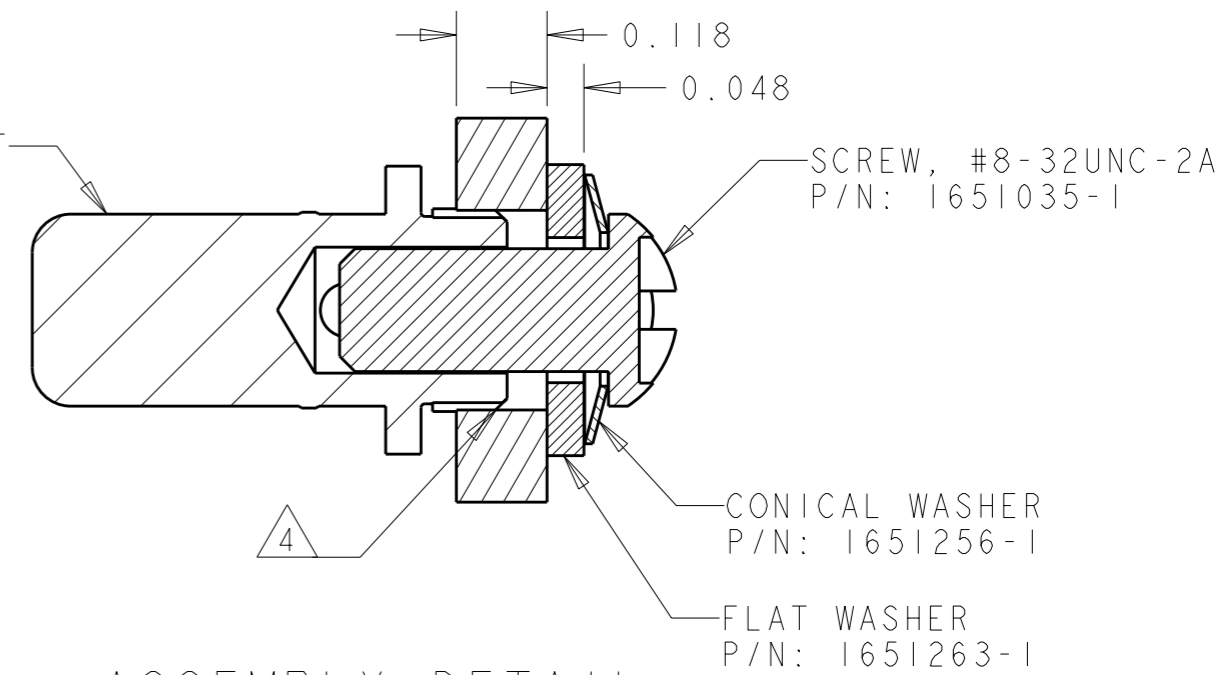


THIS DRAWING IS UNPUBLISHED. RELEASED FOR PUBLICATION 20  
 © COPYRIGHT 20 BY TYCO ELECTRONICS CORPORATION. ALL RIGHTS RESERVED.

LOC	DIST	REVISIONS			
P	LTR	DESCRIPTION	DATE	DWN	APVD
GP	00	A	RELEASED	01DEC2011	RG DO



PIN CONTACT  
P/N: 2085957-1



1. ITEMS PROVIDED TO THIS SPECIFICATION SHALL BE IDENTIFIED ON THE CONTAINER WITH THE FOLLOWING INFORMATION:  
PART NUMBER & DATE CODE OF MANUFACTURE.

- 2 MATERIAL: PIN CONTACT: COPPER ALLOY  
CONICAL WASHER: SPRING STEEL  
SCREW & FLAT WASH.: STEEL
- 3 FINISH: PIN CONTACT: SILVER PLATE .000100 MIN THICK  
OVER NICKEL .000050 MIN THICK.  
SCREW: NICKEL PLATE  
CONICAL & FLAT WASH.: NICKEL PLATE

4 RECOMMENDED HOLE DIAMETER AFTER PLATING:  
Ø .260+.003/.001.

ASSEMBLY DETAIL

2085958-1  
PART NUMBER

<small>THIS DRAWING IS A CONTROLLED DOCUMENT FOR TYCO ELECTRONICS CORPORATION IT IS SUBJECT TO CHANGE AND THE CONTROLLING ENGINEERING ORGANIZATION SHOULD BE CONTACTED FOR THE LATEST REVISION.</small>		DWN R.GRZYBOWSKI 30NOV2011 CHK D.ORRIS 30NOV2011 APVD D.ORRIS 30NOV2011		Tyco Electronics Harrisburg, PA 17105-3608	
DIMENSIONS: INCHES 		TOLERANCES UNLESS OTHERWISE SPECIFIED: 0 PLC ±. 1 PLC ±. 2 PLC ±.02 3 PLC ±.010 4 PLC ±. ANGLES ±.5		NAME: PIN CONTACT, SIZ4 #4, SCREW MOUNT, LOCKING STYLE, PRESS FIT	
MATERIAL: 2		FINISH: 3		PRODUCT SPEC: - APPLICATION SPEC: - WEIGHT: -	
CUSTOMER DRAWING		SIZE: A3 CAGE CODE: 00779 DRAWING NO: C-2085958		RESTRICTED TO: -	
SCALE:		SHEET:		OF:	
REV: A					