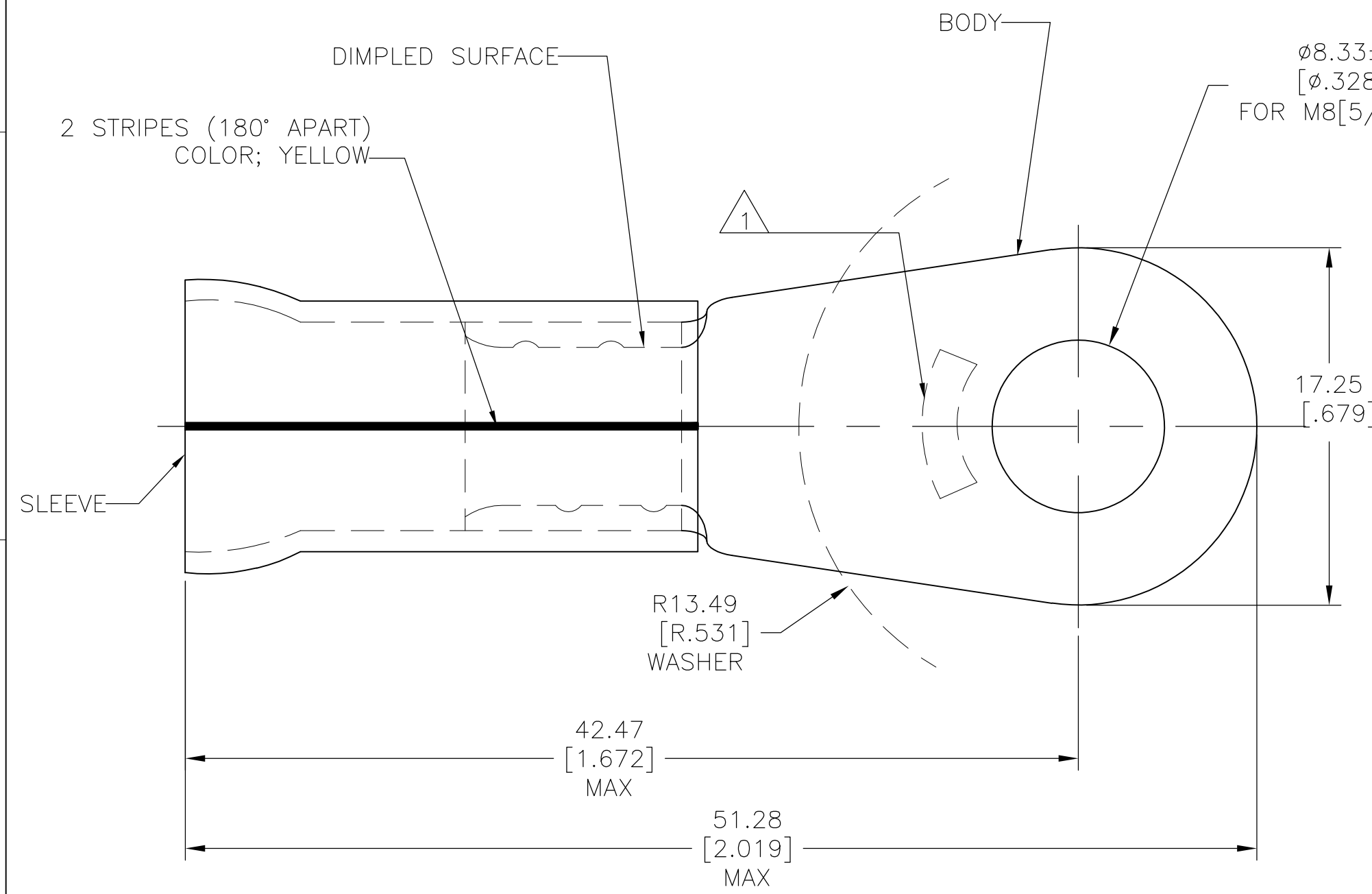


THIS DRAWING IS UNPUBLISHED. RELEASED FOR PUBLICATION
 © COPYRIGHT - By - ALL RIGHTS RESERVED.

LOC	DIST	REVISIONS					
G	14	P	LTR	DESCRIPTION	DATE	DWN	APVD
			A2	REVISED PER ECO-13-002445	09FEB13	KH	DR

AMP WIRE RANGE
4 AWG STRANDED



- 1 STAMP AMP 4*, LOCATE APPROX AS SHOWN.
- 2 TONGUE MATL: THK 1.22±0.08 [.048±.003].
- 3 WIRE INSULATION DIA 13.08 [.515] MAX.
- 4 FINISH,
BODY - TIN/LEAD (93-7) PLATE PER ASTM B545
SLEEVE - COLOR - NATURAL
- 5 MATERIAL,
BODY - COPPER PER ASTM B-152
SLEEVE - PVF2
- 6 NOTE DELETED.

100	LOOSE PIECE	1958167-1
QTY	PACKAGE TYPE	PART NO

AMP INCORPORATED CUSTOMER SERVICE SYSTEMS		MAX RECOMMENDED OPERATING TEMPERATURE: 150°[302°F]	THIS DRAWING IS A CONTROLLED DOCUMENT.		DWN jr_ruth 05OCT07	STE TE Connectivity				
FOR ADDITIONAL PRODUCT INFORMATION OR COPIES OF DRAWINGS AND TECHNICAL DOCUMENTS	PRODUCT INFORMATION CENTER 1-800-522-6752	VOLTAGE RATING: 600 V MAX	DIMENSIONS: mm [INCHES]	TOLERANCES UNLESS OTHERWISE SPECIFIED:	CHK T MICHELUTTI 05OCT07	NAME TERMINAL, RING TONGUE, PVF2, PLASTI-GRIP, WIRE SIZE: 4 AWG				
FOR APPLICATION TOOLING INFORMATION	TOOLING ASSISTANCE CENTER 1-800-722-1111	CIRCULAR MIL AREA: 16.67-26.65mm ² [33,100-52,600] STRANDED		0 PLC ± - 1 PLC ± - 2 PLC ± 0.25 [.008] 3 PLC ± - 4 PLC ± - ANGLES ± 5°	APVD T MICHELUTTI 05OCT07					
FOR ORDER ENTRY	1-800-526-5142	THIS DRAWING IS A CONTROLLED DOCUMENT FOR AMP INCORPORATED. IT IS SUBJECT TO CHANGE AND THE CONTROLLING ENGINEERING ORGANIZATION SHOULD BE CONTACTED FOR THE LATEST REVISION.		MATERIAL	FINISH	SIZE A3	CAGE CODE 00779	DRAWING NO C-1958167	RESTRICTED TO	
				5	4	CUSTOMER DRAWING		SCALE 4:1	SHEET 1 OF 1	REV A2