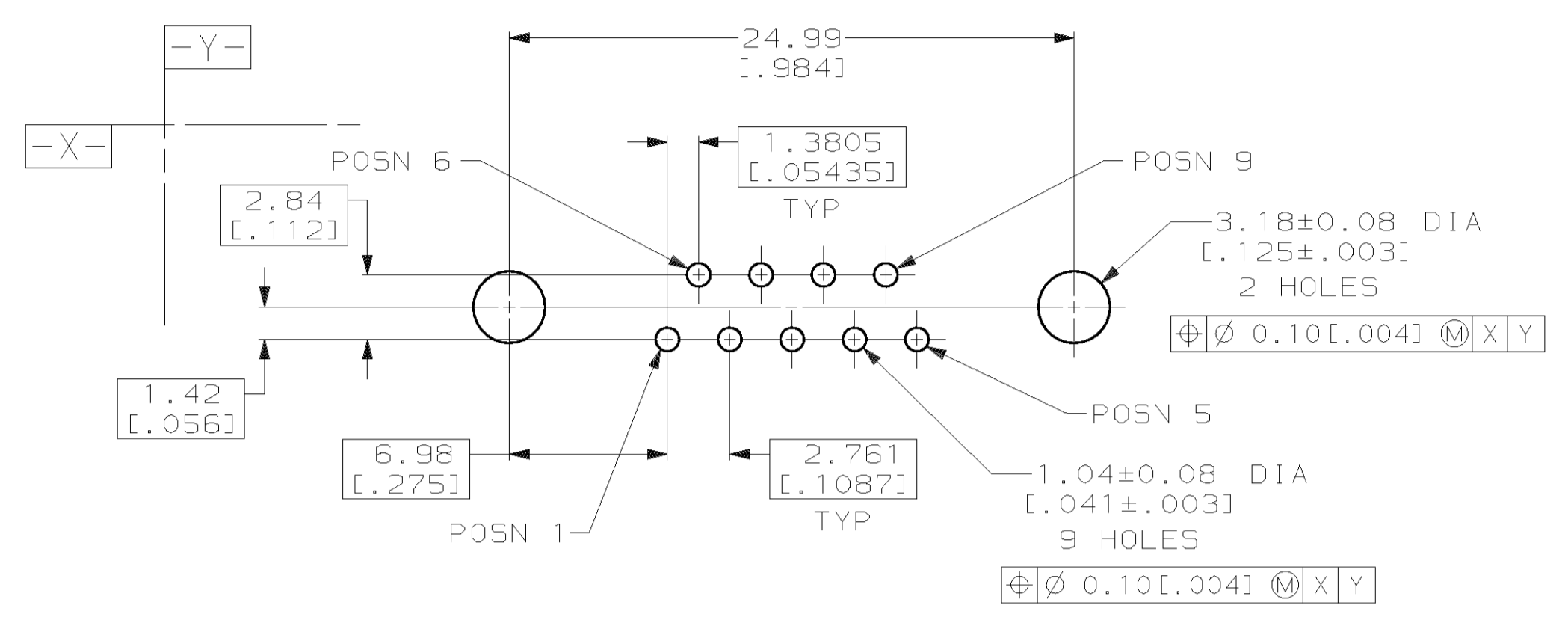
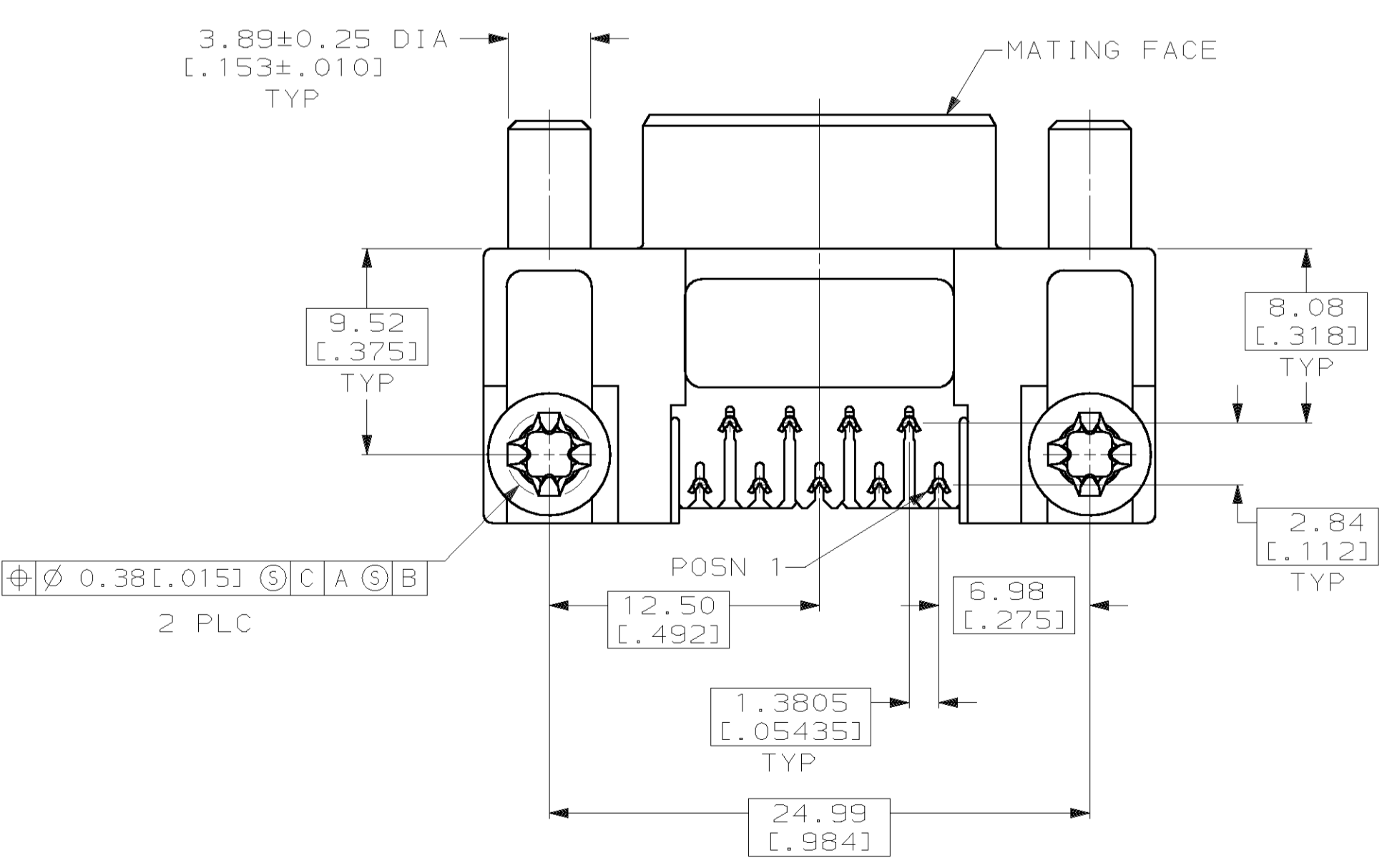
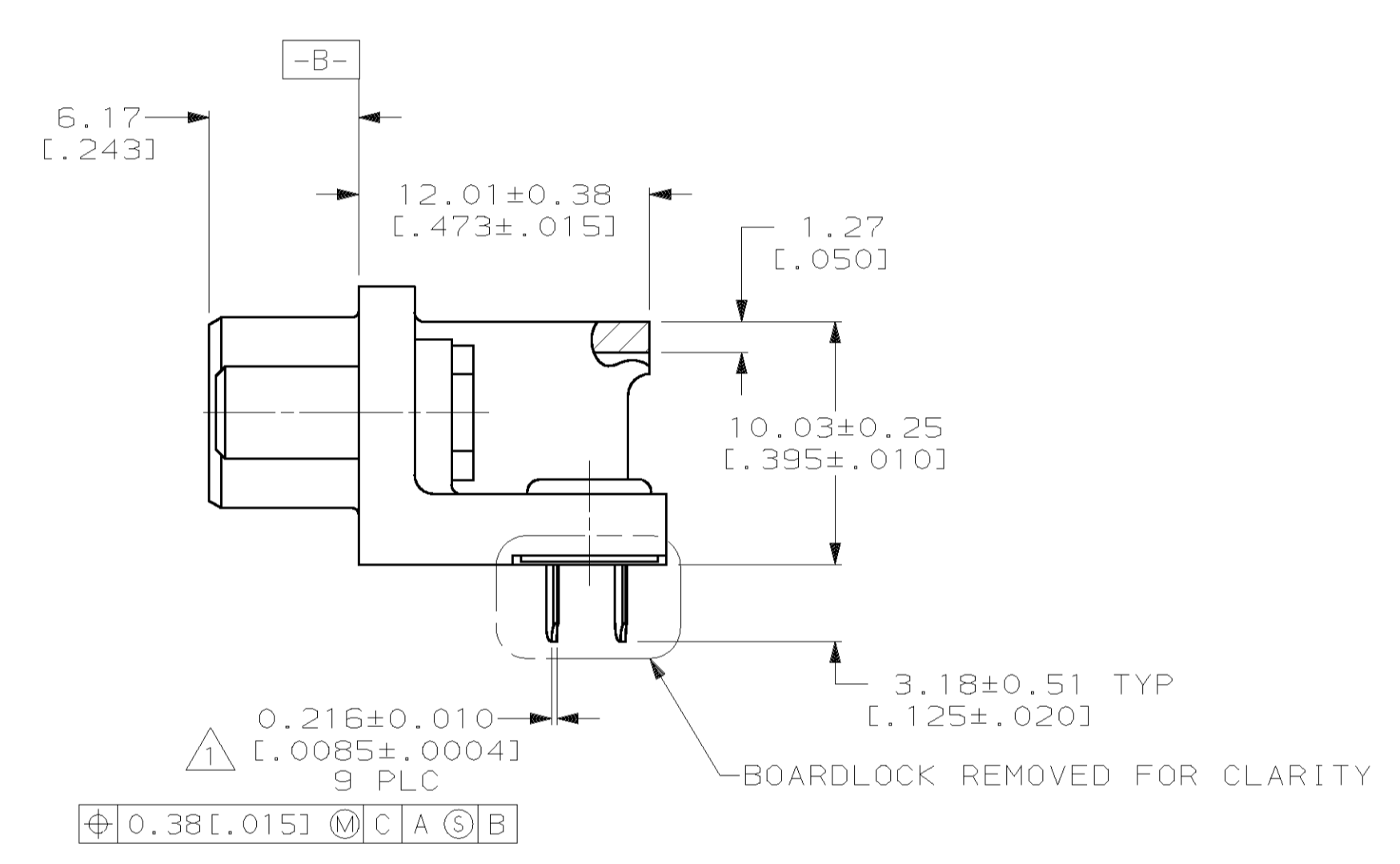
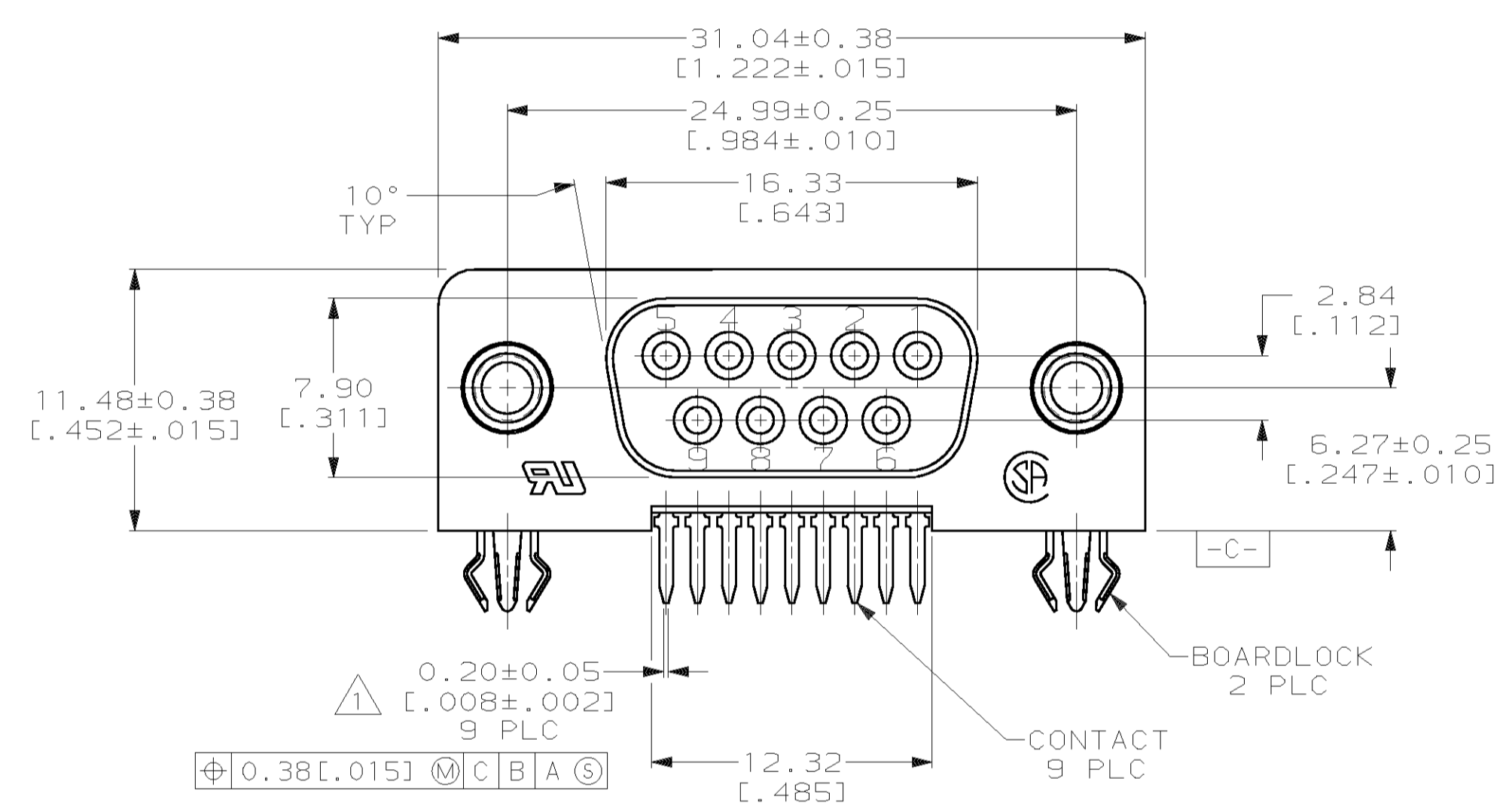


MANUFACTURERS LOGO, PART NO & DATE CODE, MARKED IN AREA INDICATED. □ OF DATUM A



PC BOARD MOUNTING DIMENSIONS
(.062 PC BOARD THICKNESS)

- ① POSITION TOLERANCE APPLIES AT TIP ONLY.
- ② NYLON OR POLYESTER, UL94V-0 RATED, BLACK.
- ③ PHOSPHOR BRONZE PER QQ-B-750.
- ④ EYELETS: BRASS; SCREWLOCKS: ZINC; BOARDLOCKS: COPPER ALLOY.
- ⑤ GOLD PLATING PER MIL-G-45204, NICKEL PLATING PER QQ-N-290, TIN PLATING PER MIL-T-10727.
- ⑥ EYELETS: 5.08 μm [0.000200] MIN TIN OVER COPPER FLASH; BOARDLOCKS: 5.08 μm [0.000200] MIN TIN OVER 1.27 μm [0.000050] MIN NICKEL.
- ⑦ 0.76 μm [0.000030] MIN GOLD FOR A LENGTH OF 1.52 [0.060] MIN FROM MATING END, 3.05 μm [0.00120] MIN TIN LEAD FOR A LENGTH OF 3.68 [0.145] MIN FROM OPPOSITE END, BOTH OVER 1.27 μm [0.000050] MIN NICKEL.

COPYRIGHT 2003
TYCO ELECTRONICS CORP
ALL RIGHTS RESERVED

THIS DRAWING IS A CONTROLLED DOCUMENT.		DWN	L. BAUM	11AUG03	AMP	AMP Incorporated
DIMENSIONS: mm (INCH)		CHK	C. FULP	11AUG03		Harrisburg, PA 17105-3608
TOLERANCES UNLESS OTHERWISE SPECIFIED:		APP'D	M. WALMSLEY	11AUG03	NAME	RECEPTACLE ASSEMBLY, SIZE 1, 9 POSN, ALL PLASTIC, RIGHT ANGLE, .318 SERIES, AMPLIMITE™ III
0 PLC ±.015		PRODUCT SPEC		APPLICATION SPEC		
1 PLC ±.010		MATERIAL HOUSING		WEIGHT		
2 PLC ±.008		CONTACTS		CUSTOMER DRAWING		
3 PLC ±0.13(.005)		FINISH		SCALE 4:1		
4 PLC ±.005		HARDWARE		SHEET 1 OF 1		
ANGLES ±.2°		CONTACTS, SEE TABLE		REV 0		
SCREWLOCKS: CLEAR CHROMATE		HARDWARE: CLEAR CHROMATE		SIZE CAGE CODE DRAWING NO		
CUSTOMER DRAWING		A1 00779		1658584		