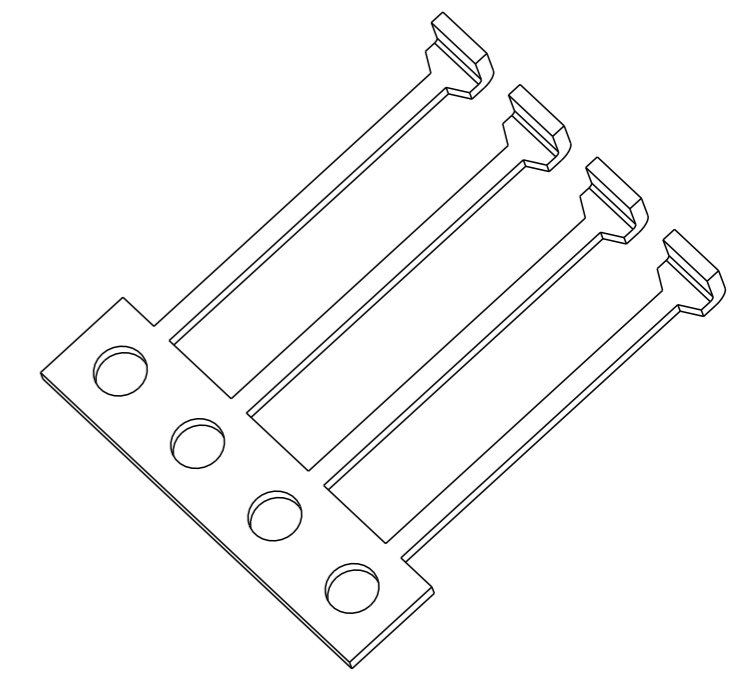
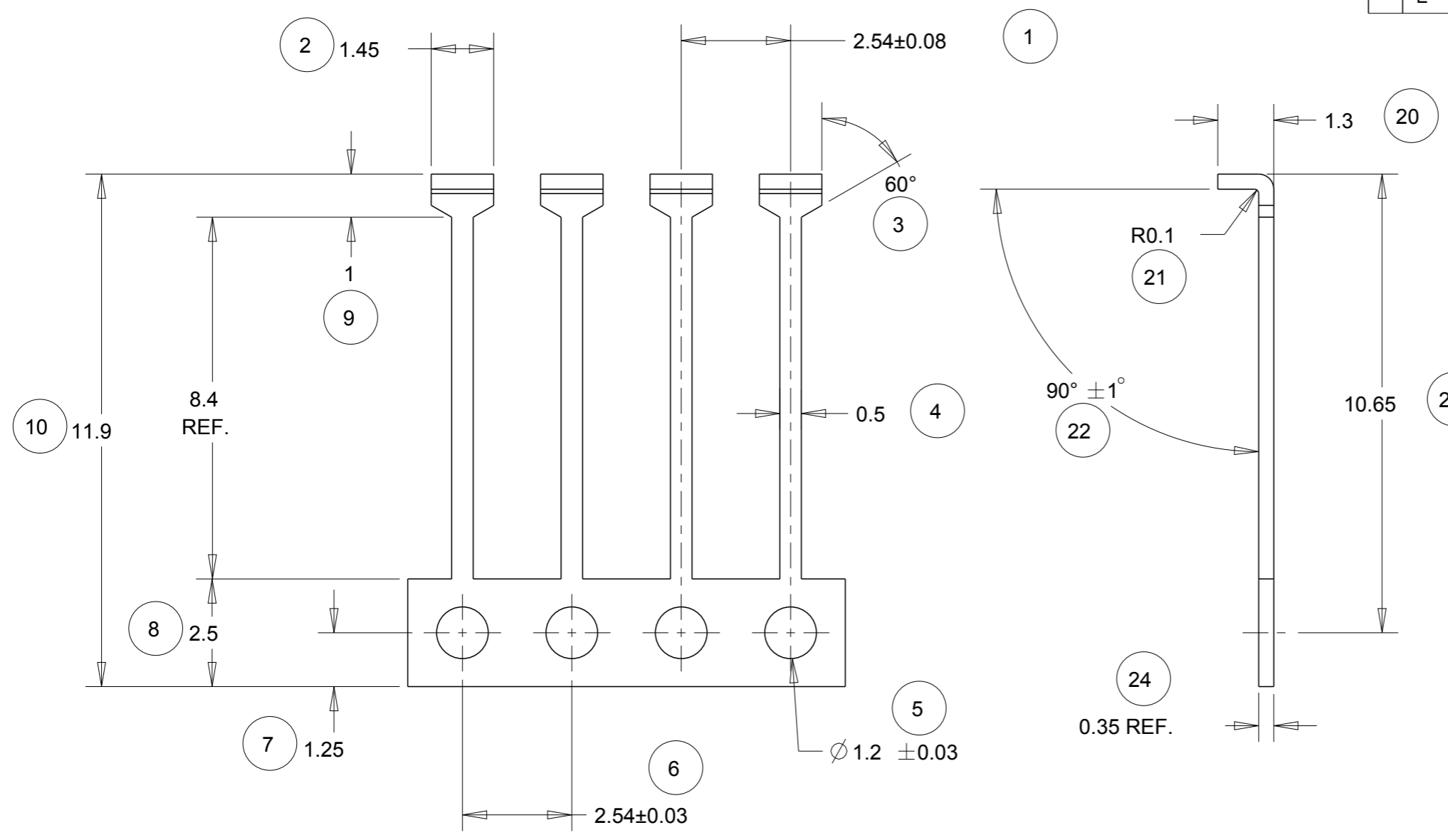
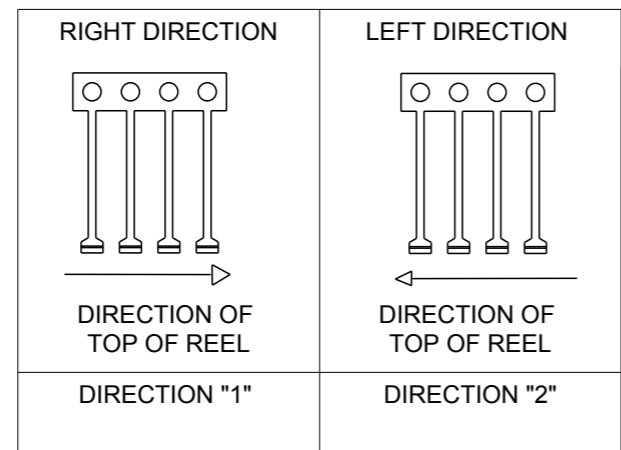


THIS DRAWING IS UNPUBLISHED. RELEASED FOR PUBLICATION 20  
 © COPYRIGHT 20 BY - ALL RIGHTS RESERVED.

LOC	DIST	REVISIONS			
P	LTR	DESCRIPTION	DATE	DWN	APVD
-	-	B	ECR-11-018847	13/09/11	JB MG
		C	ECR-11-021358	20/10/11	JB MG
		D	ECR-12-013865	02/08/12	JB MG
		E	ECR-12-018117	18/10/12	MJG DP



NOTE  
 BOWING: AFTER UPPER TIE BAR REMOVAL- 1.5mm MAX. FOR 500mm



THIS DRAWING IS A CONTROLLED DOCUMENT.

DIMENSIONS:	TOLERANCES UNLESS OTHERWISE SPECIFIED:
mm	0 PLC ±-
	1 PLC ±-
	2 PLC ±0.05
	3 PLC ±-
	4 PLC ±-
	ANGLES ±0.5
MATERIAL	FINISH -
SEE ABOVE.	

2	Ni & SnPb	1544354-2
REELING	FINISH	PART NUMBER
DWN J.BRIGHT 22/08/11		
CHK M.GREENER 22/08/11		
APVD D.PENNINGTON 22/08/11	NAME SIL CONTACT	
PRODUCT SPEC -	-	
APPLICATION SPEC -	-	
WEIGHT -	SIZE A3	CAGE CODE 00779
CUSTOMER DRAWING	DRAWING NO C-1544354	RESTRICTED TO -
SCALE NTS	SHEET 1 OF 1	REV E