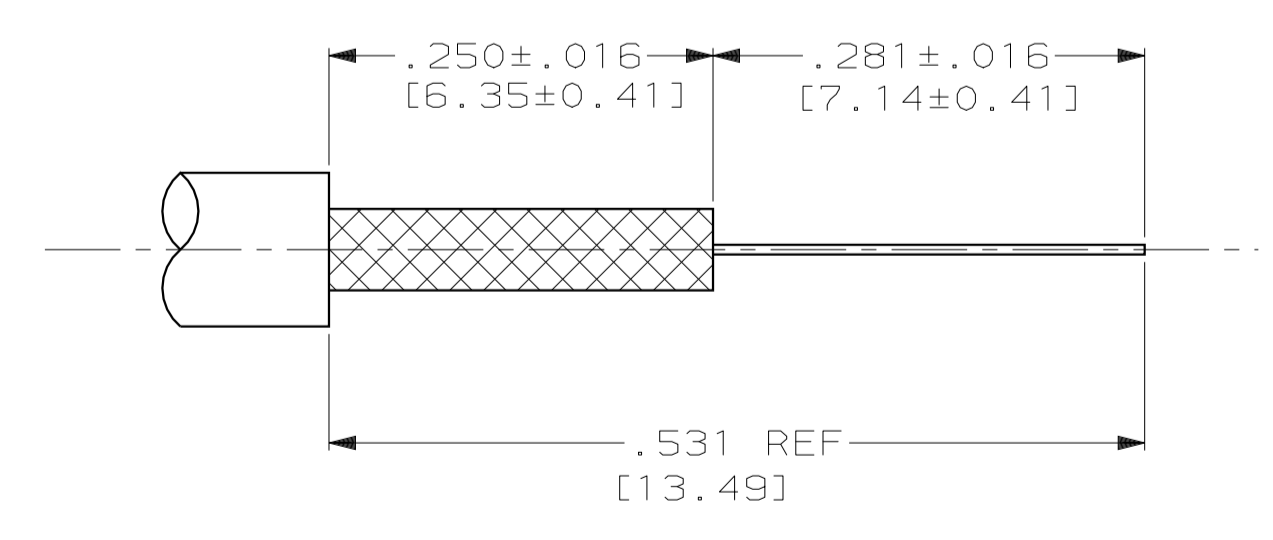
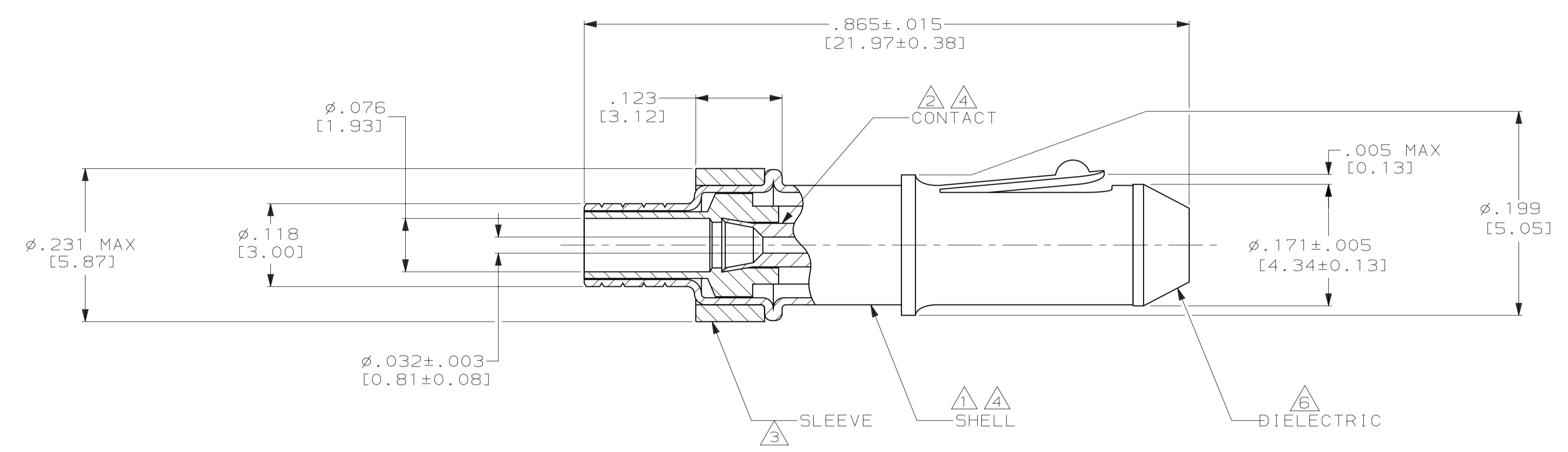


LOC	DIST	REVISIONS				
DF	XO	REV	DESCRIPTION	DATE	DWN	APVD
		A	REV PER ECO 05-7960	10-5-05	CT	RG

- 1 BRASS PER QQ-B-613.
- 2 BERYLLIUM COPPER PER ASTM-B-196
- 3 NYLON PER ASTM-D-4066, BLACK
- 4 .000030 MINIMUM GOLD PER MIL-G-45204.
- 5. SEE IS 408-1770
- 6 DIELECTRIC MATERIAL: VALOX 325 WHITE
- 7. HAND TOOL PART NO.: 58290-1



RECOMMENDED STRIP LENGTH

1484274-1
PART NO.

THIS DRAWING IS A CONTROLLED DOCUMENT.		DWN C. C. THOMAS 6-6-01	AMP TYCO Electronics Corporation Harrisburg, PA 17105-3608	
DIMENSIONS: INCHES (mm)		CHK S. GLATFELTER 6-6-01	NAME PIN, MINIATURE SERIES, RF	
TOLERANCES UNLESS OTHERWISE SPECIFIED:		APVD S. GLATFELTER 6-6-01	PRODUCT SPEC 108-12021	
0 PL C	±-	APPLICATION SPEC		
1 PL C	±-	SIZE A1		
2 PL C	±-	CAGE CODE 00779		
3 PL C	±.008 [0.201]	DRAWING NO. 1484274		
4 PL C	±-	RESTRICTED TO		
ANGLES	±-	WEIGHT .030 OUNCES		
MATERIAL	FINISH	CUSTOMER DRAWING		
		SCALE 8:1 SHEET 1 OF 1 REV A		