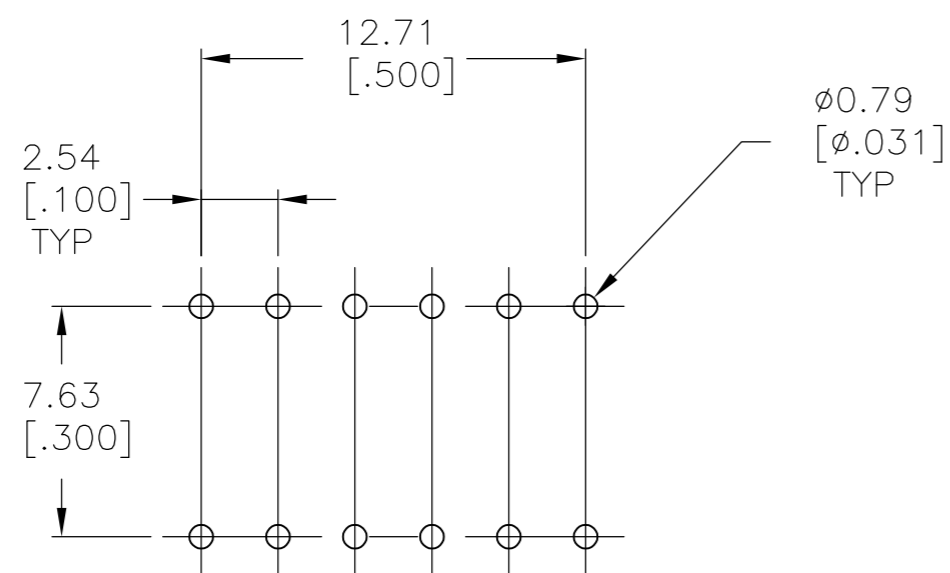
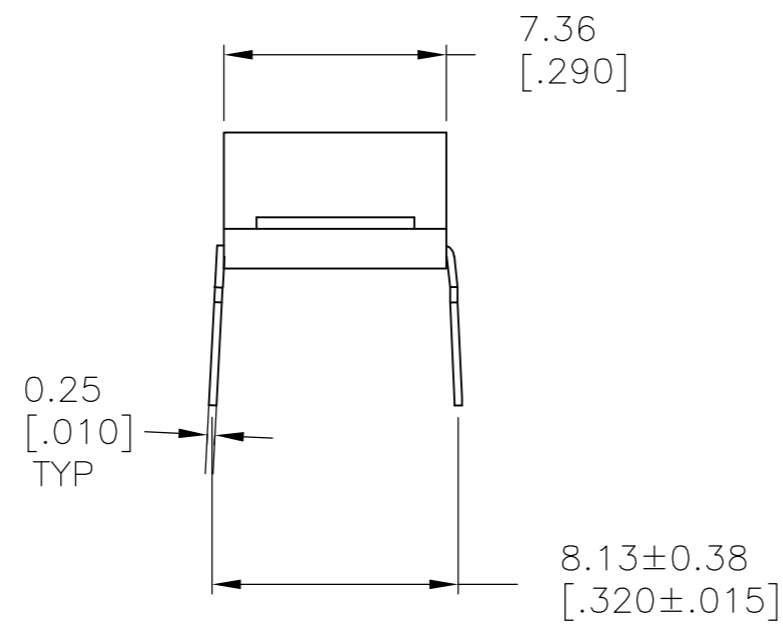
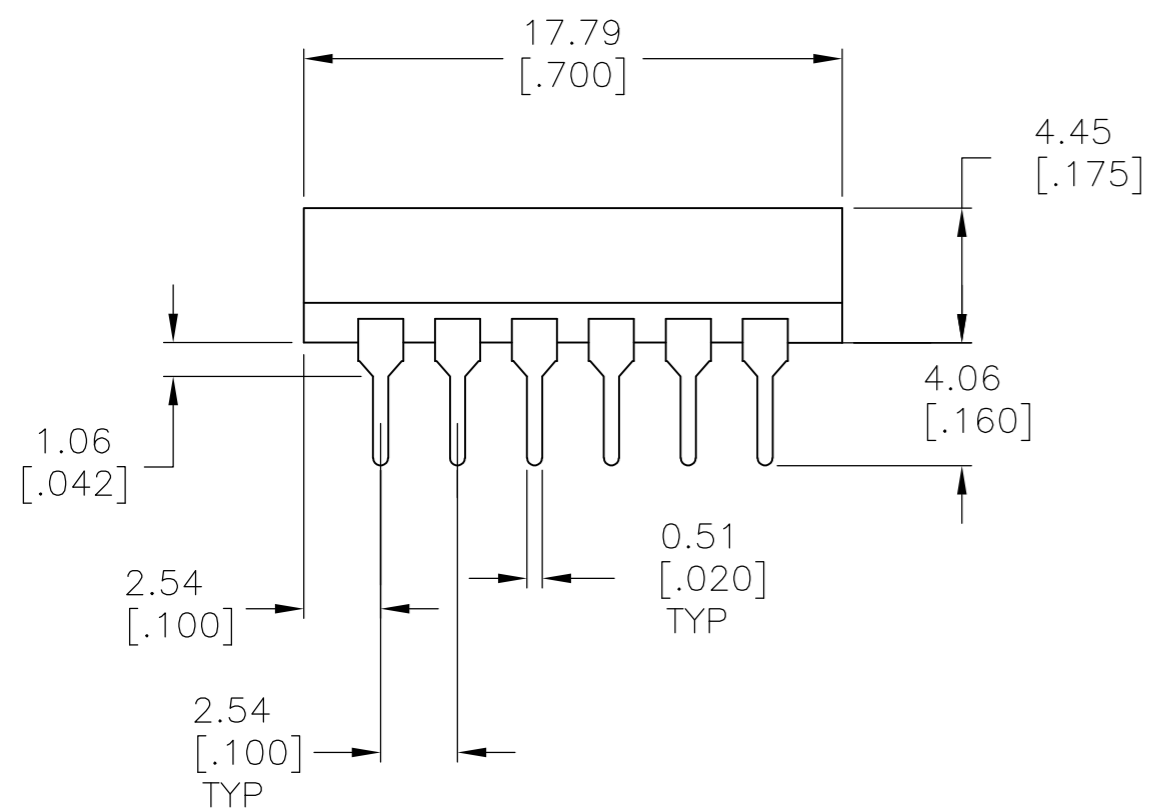
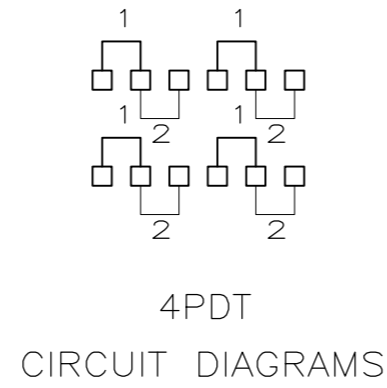
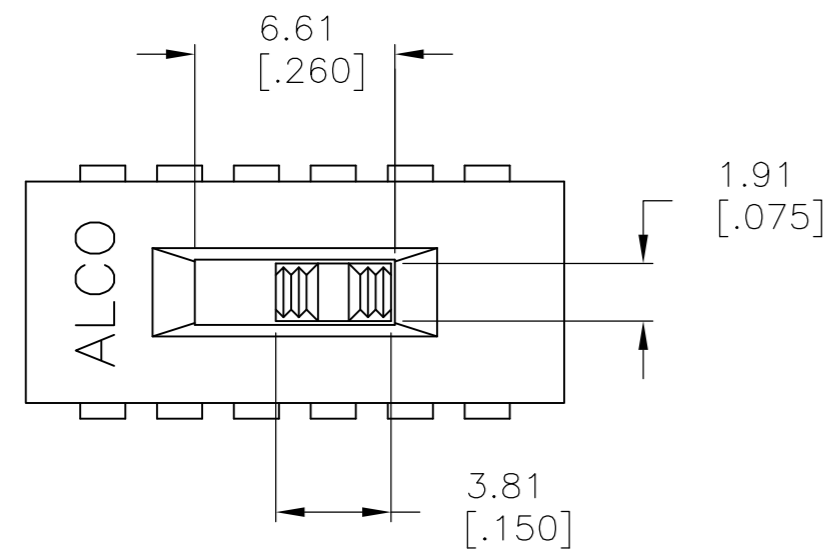


THIS DRAWING IS UNPUBLISHED. RELEASED FOR PUBLICATION
 © COPYRIGHT BY TYCO ELECTRONICS CORPORATION. ALL RIGHTS RESERVED.

LOC	DIST	REVISIONS			
P	LTR	DESCRIPTION	DATE	DWN	APVD
AD	00	A	REVISED PER ECO-05-013279	07DEC07	HMR/SSM



RECOMMENDED HOLE LAYOUT
 TOL. ±.002 UNLESS OTHERWISE NOTED

SPECIFICATIONS:

4PDT
 MAKE-BEFORE-BREAK

MATERIALS:

BASE/COVER - PCT UL94V-0, BLACK
 ACTUATOR - NYLON PA46 UL94V-0, NATURAL
 MOVING CONTACT - COPPER ALLOY, GOLD OVER NICKEL
 FIXED CONTACT - COPPER ALLOY, GOLD OVER NICKEL
 TERMINAL - COPPER ALLOY, TIN/LEAD OVER NICKEL OR TIN OVER NICKEL

ELECTRICAL:

CONTACT RATING, 300 MILLIAMPS @ 115V AC PER EIA-448, METHOD 6
 CONTACT RESISTANCE, 40 MILLIOHMS MAX @ 100MA 2-4V DC, PER EIA-364-23B, EACH POSITION
 INSULATION RESISTANCE, 1000 MEGOHM MIN @ 500V DC, PER EIA-364-21C EACH POSITION
 DIELECTRIC STRENGTH, 1,000 V RMS @ SEA LEVEL, PER EIA-364-20B, CONDITION 1, EACH POSITION
 LIFE EXPECTANCY, ELECTRICAL, 15,000 CYCLES @ FULL LOAD

MECHANICAL:

ACTUATION FORCE, 800 GRAMS MAX
 ACTUATION TRAVEL, 2.54±0.25 [.100±.010]
 LIFE EXPECTANCY, 15,000 CYCLES

ENVIRONMENTAL:

OPERATING TEMPERATURE, -40 TO +80 DEGREES C, PER EIA 448, METHOD 10
 STORAGE TEMPERATURE, -40 TO +80 DEGREES C
 HUMIDITY AND TEMPERATURE CYCLING PER EIA-364-31B, METHOD III
 SOLDERABILITY, PER EIA-364-52, CLASS 2, CATEGORY 1, 95% MINIMUM COVERAGE
 RESISTANCE TO SOLDER HEAT, PER 109-202, CONDITION B

NOTES:

- PARTS TO BE PACKAGED IN 22 INCH TUBES
- ALL MATERIALS AND FINISHES SHALL COMPLY WITH EU DIRECTIVE 2002/95/EC OF 27JAN2003 (ROHS)
- PART HAS CLOSED ENDS AND COMES STANDARD WITH TAPE SEAL

2	ASF7121304	1825469-1
	ASF71213	1437582-2
NOTES	T&B P/N	TE P/N

THIS DRAWING IS A CONTROLLED DOCUMENT.		DWN RAGHAVENDRA 07DEC2007	Tyco Electronics Corporation Harrisburg, PA 17105-3608	
DIMENSIONS: mm [INCHES]		CHK M.S.SARVER 07DEC2007	NAME AUTO SLIDE SWITCH, ASF42 SPECIAL (ASE71213)	
TOLERANCES UNLESS OTHERWISE SPECIFIED:		APVD M.S.SARVER 07DEC2007	SIZE A2	
0 PLC ± -		PRODUCT SPEC	CAGE CODE 00779	DRAWING NO 1437582-2
1 PLC ± -		APPLICATION SPEC	SCALE 4:1	SHEET 1 OF 1
2 PLC ± 0.25 [.010]		WEIGHT -	RESTRICTED TO	REV A
3 PLC ± -		CUSTOMER DRAWING		
4 PLC ± -				
ANGLES ± 1°				
FINISH -				