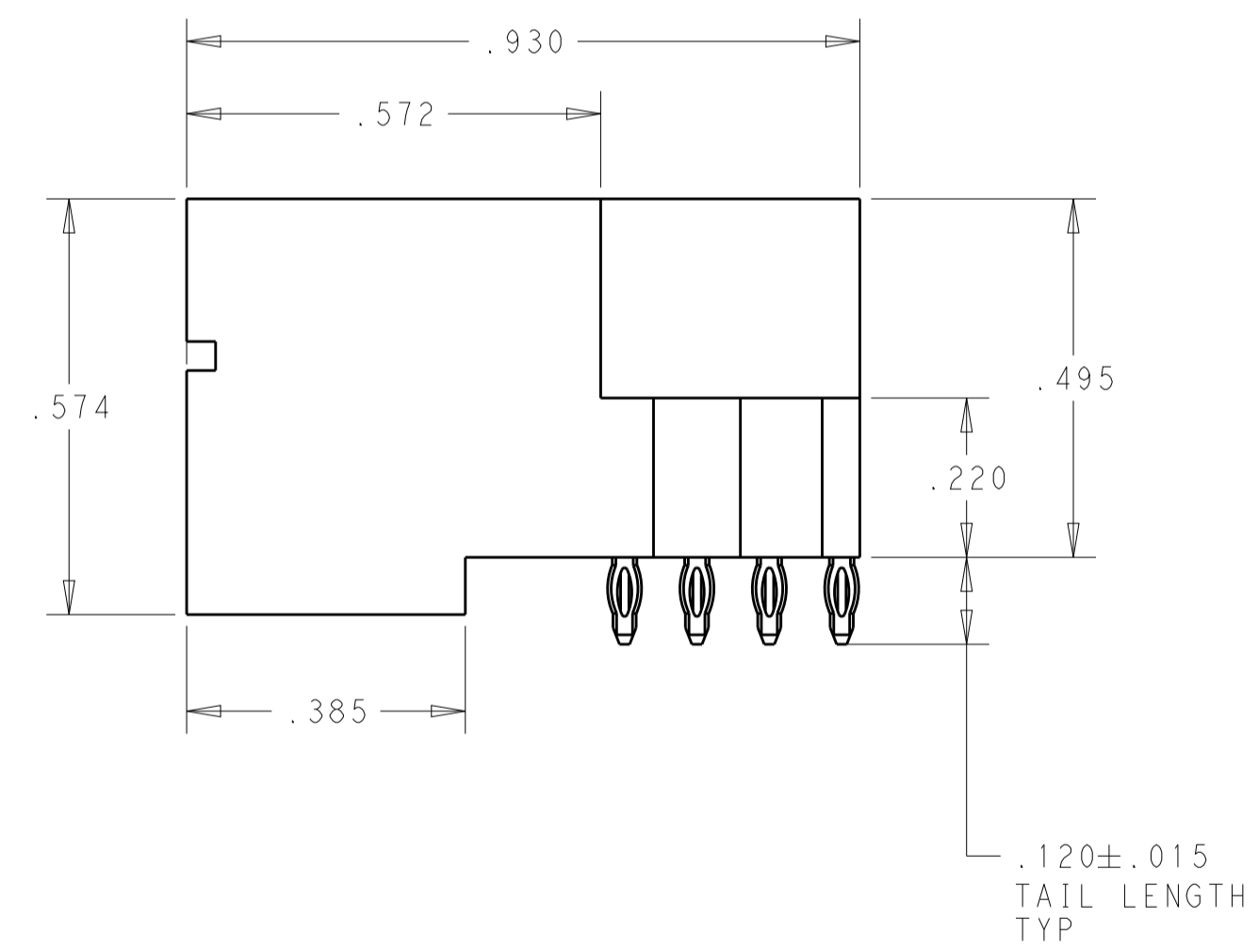
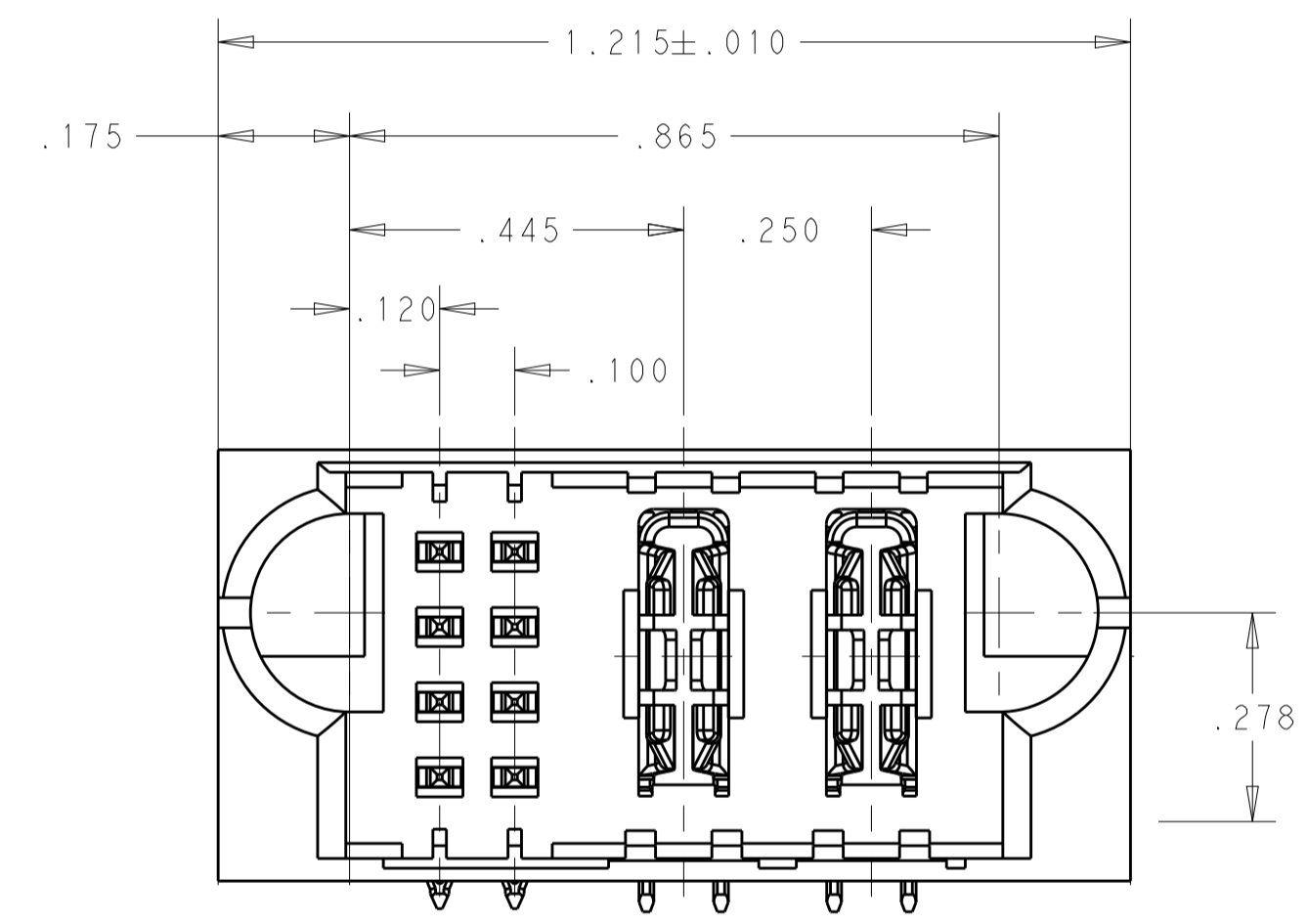
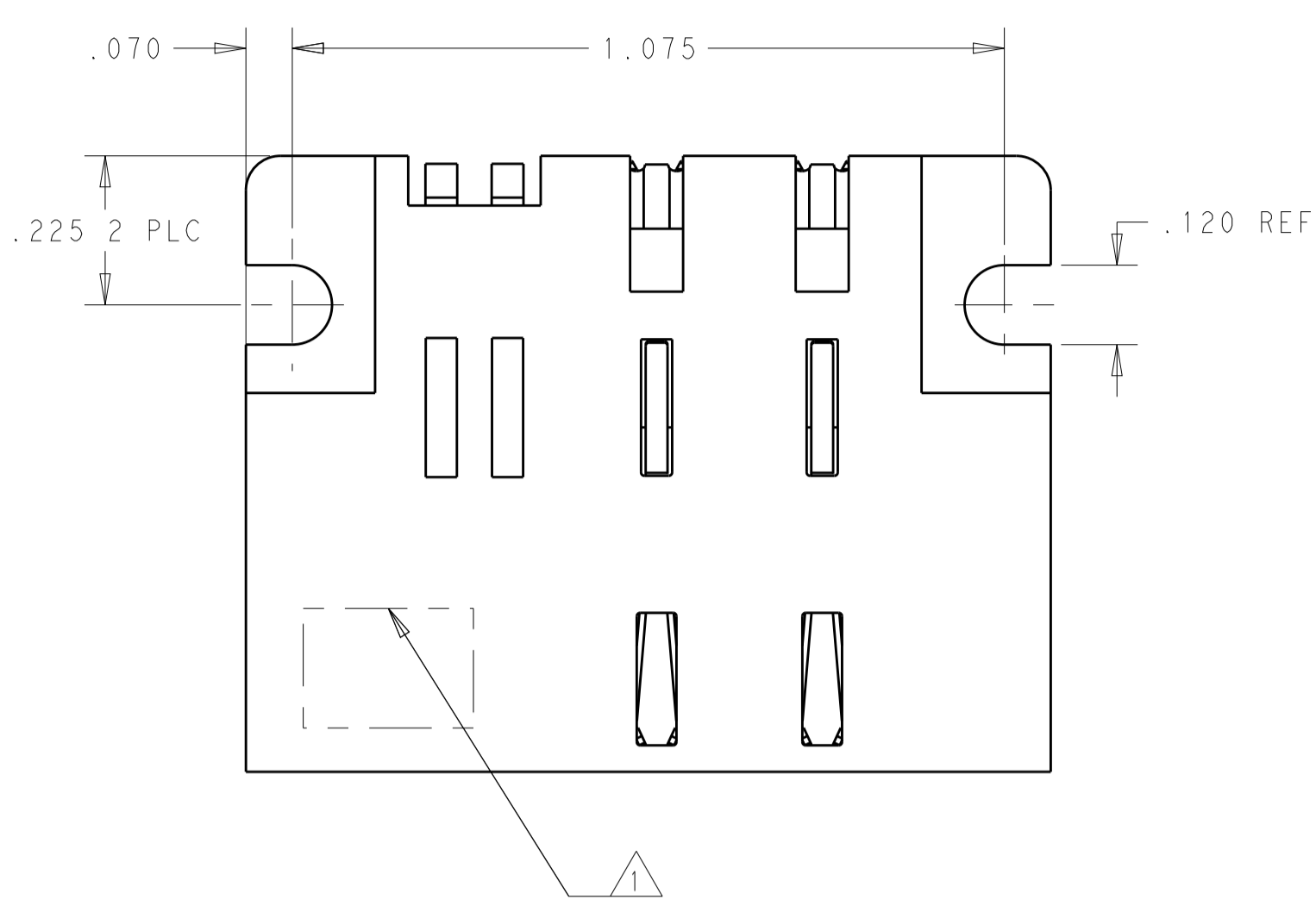


REVISIONS				
P	LTN	DESCRIPTION	DATE	APVD
1		PROPOSED DESIGN	18SEP2016	CZ SZ
2		REVISED THE BOTTOM SIGNAL PINS TO MLBF	09OCT2016	CZ SZ



- 1 "AMP", PART NUMBER, AND DATECODE TO BE MARKED IN AREA SHOWN. PARTS UNDER 2.00 LONG MAY BE MARKED ON BOTH SIDES.
- 2 MATERIAL:
HOUSING - GLASS FILLED HIGH TEMP THERMO PLASTIC, BLACK, UL94 V-0
SIGNAL CONTACT - COPPER ALLOY
POWER CONTACT - HIGH CONDUCTIVITY COPPER ALLOY
- 3 CONTACT PLATING: NOBLE METAL PLATING ON CONTACT FUNCTIONAL AREA OF POWER AND SIGNAL CONTACTS.
- 4 MECHANICAL CONNECTOR KEEP OUT ZONE.
- 5 DATUM AND BASIC DIMENSIONS ESTABLISHED BY CUSTOMER.
- 6 PCB - HOLE DIAMETERS ARE FINISHED HOLE SIZE.
- 7 PCB - .0453±.0010 DRILLED HOLES PLATED WITH .0003 MIN Sn OVER .001 TO .003 Cu PLATING TO ACHIEVE A .040 ±.003 HOLE.

PROPOSAL ONLY

THIS DRAWING IS A CONTROLLED DOCUMENT.		DWN C. ZHOU 18SEP2016	8S+2P	1-6450841-7
DIMENSIONS: INCHES		CHK C. ZHOU 18SEP2016	DESCRIPTION PART NUMBER	
TOLERANCES UNLESS OTHERWISE SPECIFIED:		APVD S. ZHAO 18SEP2016	NAME RIGHT ANGLE HEADER, PRESS FIT MULTI-BEAM XLE	
0 PLC ±.005		PRODUCT SPEC	SIZE	
1 PLC ±.005		108-2292	CAGE CODE	
2 PLC ±.005		APPLICATION SPEC	DRAWING NO	
3 PLC ±.0020		114-13251	RESTRICTED TO	
ANGLES ±.2°		WEIGHT	A100779	
FINISH		CUSTOMER DRAWING	SCALE 4:1 SHEET 1 OF 2 REV 2	

