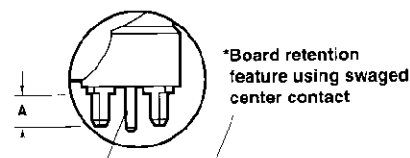
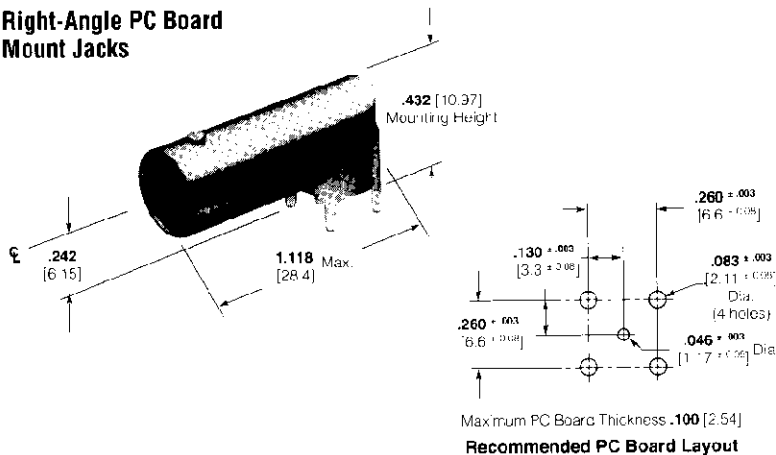
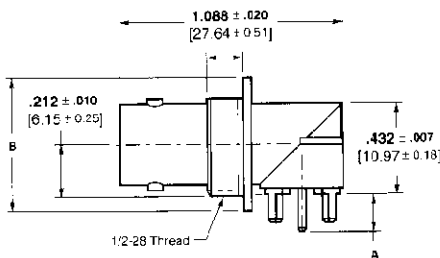


## BNC Connectors, 50 Ohm (Continued)

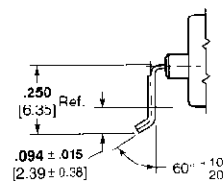
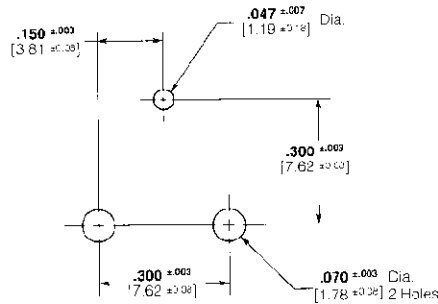
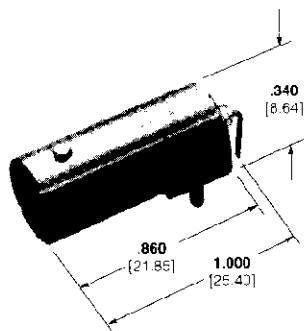
### Right-Angle PC Board Mount Jacks



Body Plating	Dielectric	Center Contact Length	Dimension A	Part Number
Nickel	Polymethyl Pentene	.171	4.34	413631-1
Tin-Lead	TEFLON	.171	4.34	413631-2
Nickel	Polymethyl Pentene	.131	3.33	413631-3
Tin-Lead	TEFLON	.131	3.33	413631-4*
Nickel	TEFLON	.131	3.33	413631-5*



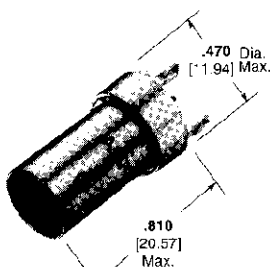
Body	Dielectric	Dimension A	Dimension B	Part Number
Tin-Lead	TPX	.171	.459	415025-1
Tin-Lead	TPX	.171	.640	415372-1



Body	Dielectric	Contact	Part Number
Nickel	TPX	Gold	414373-1
Nickel	TPX	Gold	414373-3**
Tin-Lead	TPX	Gold	414373-4**

\*\*Board retention leg prevents connector from tipping during wave solder. For 414373-3 and 414373-4 only.

Recommended PC Board Layouts

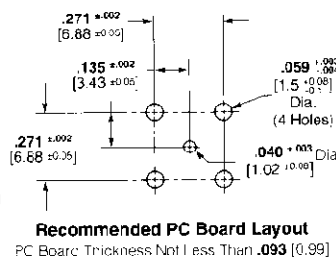


Part No. 222006-1

### Press-Fit Terminal

#### Plating

Body — Nickel  
 Center Contact — Gold  
 Dielectric — TEFLON  
**Product Specification**  
 108-12103  
**Application Specification**  
 114-12001



Recommended PC Board Layout  
 PC Board Thickness Not Less Than .093 [0.99]

### Insulating Bushing

Material Nylon  
 Part No. 222163-1

