

**4 Row, Signal Modules, Vertical Receptacle Assemblies**

**Vertical Receptacle Assemblies with Solder Leads and Compliant Press-Fit Leads**

**Material and Finish:**

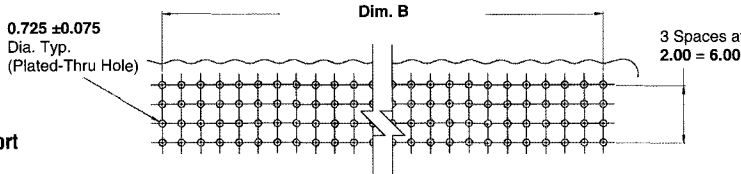
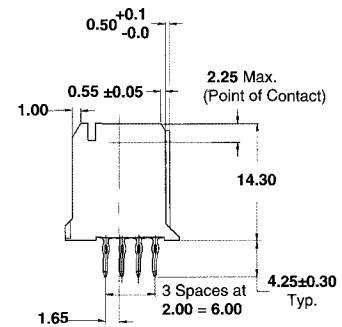
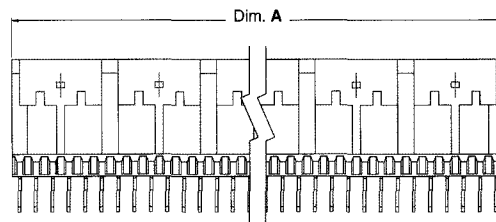
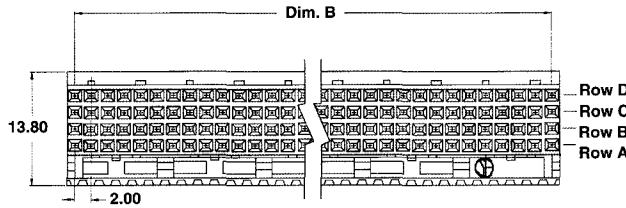
**Housing** — Liquid crystal polymer  
**Receptacle Contacts** — Phosphor bronze, mating surface plating conforms to all testing specified for Telcordia Uncontrolled Environment, with entire contact underplated with 0.00127 min. nickel. See customer drawing for specific lead plating.

**Related Product Data:**

- Material Specifications** — page 27
- Performance/Test Level Data** — page 27
- Compliant Press-Fit Contact Specifications** — page 28
- Application Tooling** — page 29, 30

**Technical Documents (page 2):**

- Product Specification** 108-1441
- Application Specification** 114-1075
- Instruction Sheet** 408-6927
- Electrical Performance Report** 65476



**Vertical Receptacle Assemblies**

No. of Positions	Dimensions		Part Numbers			Seating Tooling
	A	B	with Solder Leads		with 4.25 Press-Fit Leads	
			3.20 Lead Length	4.25 Lead Length		
24	11.88	10.00	223660-1	223655-1	223650-1	Industry Standard Flat Rock
48	23.88	22.00	223660-2	223655-2	223650-2	
72	35.88	34.00	223660-3	223655-3	223650-3	
96	47.88	46.00	223660-4	223655-4	223650-4	
120	59.88	58.00	223660-5	223655-5	223650-5	
144	71.88	70.00	223660-6	223655-6	223650-6	
168	83.88	82.00	223660-7	223655-7	223650-7	
192	95.88	94.00	223660-8	223655-8	223650-8	

Part Numbers shown are tin-lead plated part numbers. See pages 31-33 for RoHS Compliant Part Numbers.