

Printed Circuit Board Headers

Technical Features

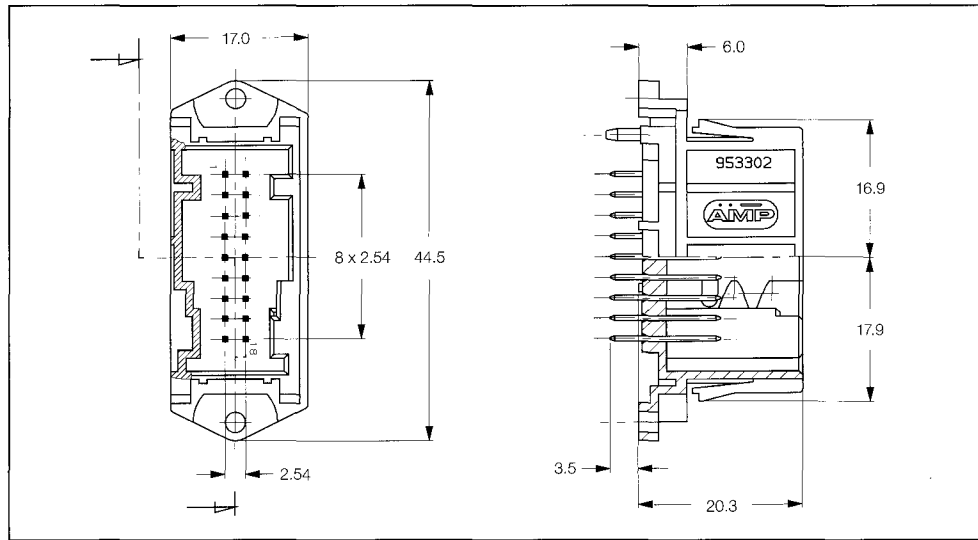
No. of Positions:
18 Positions with Ears

Housing Material:
PBT GF20

Material and Finish:
CuSn6, post tin plated

Product Specification:
108-15146

Application Specification:
—



18 Position PCB Headers

No. of Pos.	Keying Options	Housing Color	Part Numbers					Mating Counter Part
			PCB Header Right-Angle	PCB Header Vertical	Cover	Cover and Lever	Retainer Housing	
18	—	Black	—	953302-1	—	—	—	185307
			—	—	—	—	—	185315
		White	—	953302-2	—	—	—	185329
			—	—	—	—	—	1379100
—	—	—	—	—	—	—	1379101	

Technical Features

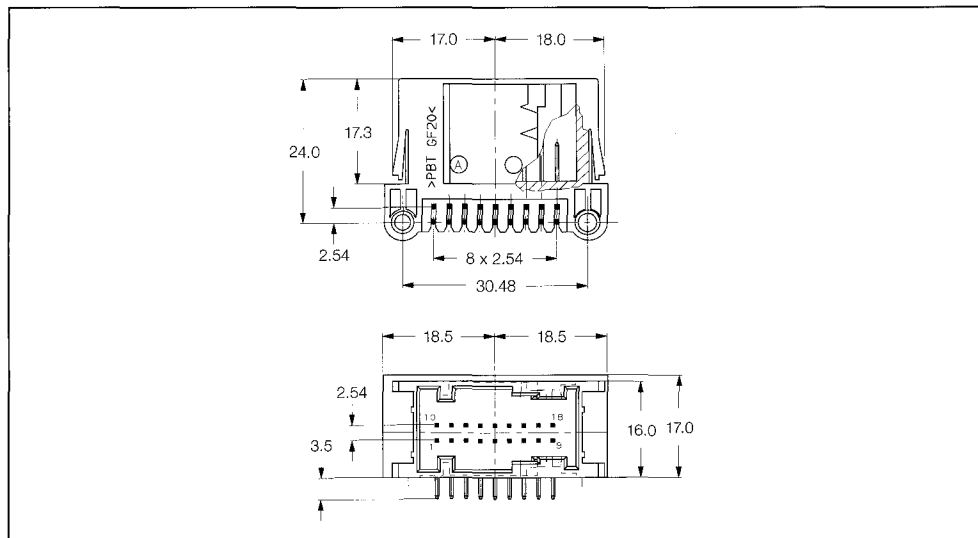
No. of Positions:
18 Positions with Ears

Housing Material:
PBT GF20

Material and Finish:
CuSn6, post tin plated

Product Specification:
108-15151

Application Specification:
—



18 Position PCB Headers

No. of Pos.	Keying Options	Housing Color	Part Numbers					Mating Counter Part
			PCB Header Right-Angle	PCB Header Vertical	Cover	Cover and Lever	Retainer Housing	
18	—	Black	185683-1	—	—	—	—	185307
			—	—	—	—	—	185315
		White	—	—	—	—	—	185329
			—	—	—	—	—	1379100
—	—	—	—	—	—	—	1379101	