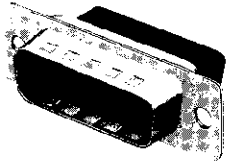


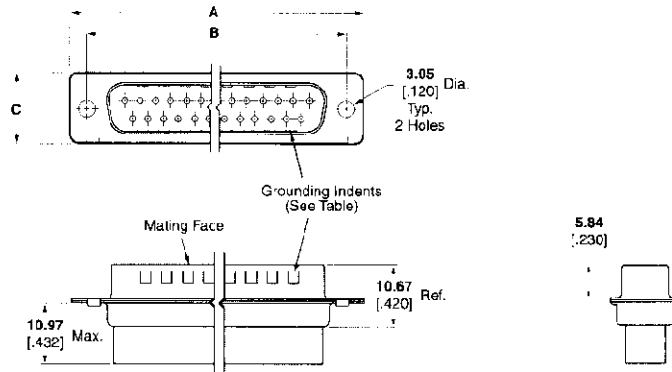


# AMPLIMITE Subminiature D Type Connectors (Continued)

## HDP-20 Crimp Snap-In Contact Connectors



Plug

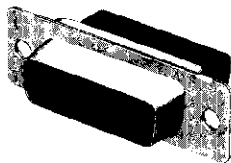


**Material and Finish:**

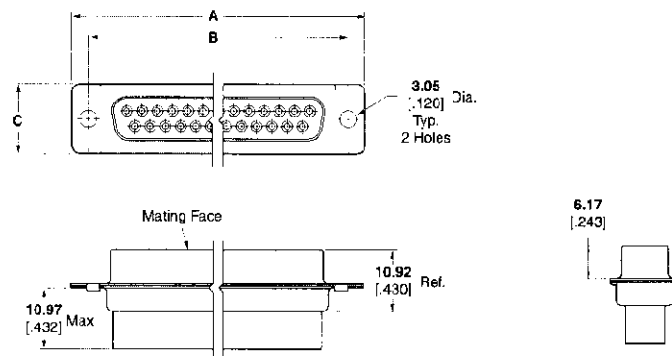
**Shell** — Steel, zinc or tin plated  
**Insert** — 94V-0 rated thermoplastic, black

**Mounting Holes:**

**Standard** — 3.05 [.120] Dia.  
**Clinch Nut** — 4-40 threads with self-locking feature

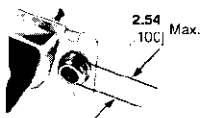


Receptacle



**Technical Documents:**

**Product Specification** — 108-40005  
**Application Specifications** — 114-1000C, \*14-40030



**Clinch Nut**  
(Plug and Receptacle)

Shell Size	No. of Contact Positions	Dimensions			Insert Material	Mounting Method	Plug Part Numbers		Receptacle Part Nos.
		A	B	C			Tin Plated Shell	Tin Plated Shell	
1	9	30.81 1.213	24.99 .984	12.55 .494	94V-0	Standard	205204-3	205203-3	205203-3
						Clinch Nut	745906-1	745906-2	745907-1
2	15	39.14 1.541	33.33 1.312	12.55 .494	94V-0	Standard	205206-2	205206-3	205205-2
						Clinch Nut	745908-1	745908-2	745909-1 745909-2*
3	25	53.04 2.088	47.04 1.852	12.55 .494	94V-0	Standard	207464-1	207464-2	207463-1
						Clinch Nut	745036-3	745036-2	207516-3
4	37	69.32 2.729	63.50 2.500	12.55 .494	94V-0	Standard	205210-2	205210-3	205209-2
						Clinch Nut	—	745135-2	207661-3
5	50	66.93 2.635	61.11 2.406	15.37 .605	94V-0	Standard	205212-2	205212-3	205211-2
						Clinch Nut	—	—	745884-1

\*Clinch nut mounting with M-3 threads.

**Note:** Plugs accept size 20 DF pin contacts and receptacles accept size 20 DF socket contacts.

Input/Output

Parallel Applications