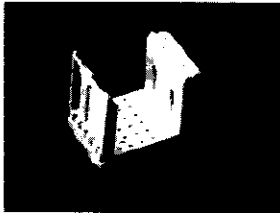




Z-PACK 2mm FutureBus+ Connectors (Continued)
 IEC61076-4-0X(48B)

4 Row — Vertical Feed-Through Shrouds

16mm Wide Body Pin Assemblies with Feed-Through Compliant Press-Fit Leads



Material and Finish:

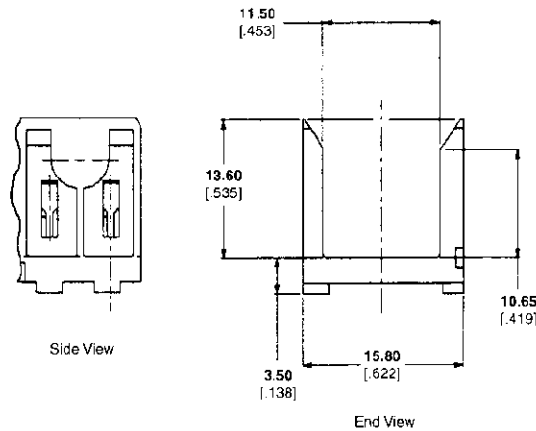
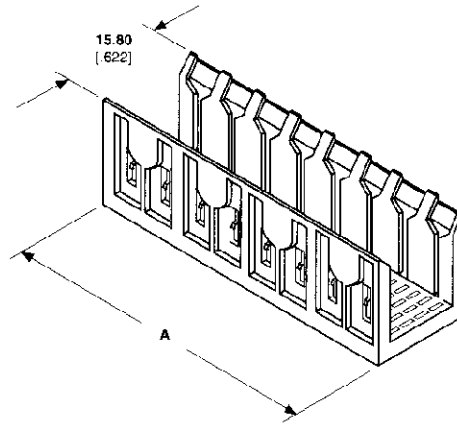
Housing — Liquid crystal polymer
Pin Contacts — Phosphor bronze, entire contact plated gold flash over 0.0008 min, palladium nickel on mating surfaces, with entire contact underplated 00013 nickel

Related Product Data

Material Specifications — page 293
Compliant Press-Fit Contact Specifications — page 293
Application Tooling — page 360

Technical Documents

Product Specification
 108-1441
Application Specification
 114-1C75
Instruction Sheets
 408-6527, 408-9910, 408-9979
Electrical Performance Report
 65476



Compliant Press-Fit Leads

Number of Positions	Dimensions		Part Number
	A	B	
24	11.88 .468	10.00 .034	536565-1
48	23.88 .940	22.00 .866	536565-2
96	47.88 1.885	46.00 1.811	536565-3
192	96.88 3.814	94.00 3.701	536565-4
144	71.88 2.830	70.00 2.756	536565-5