

# Wire to Board Connectors 2.5mm Signal Mate Connectors (2.5 SMC)

## Plug Housing (For Receptacle Contacts)

### Material and Finish :

UL94V-0 66 Nylon, Glass filled

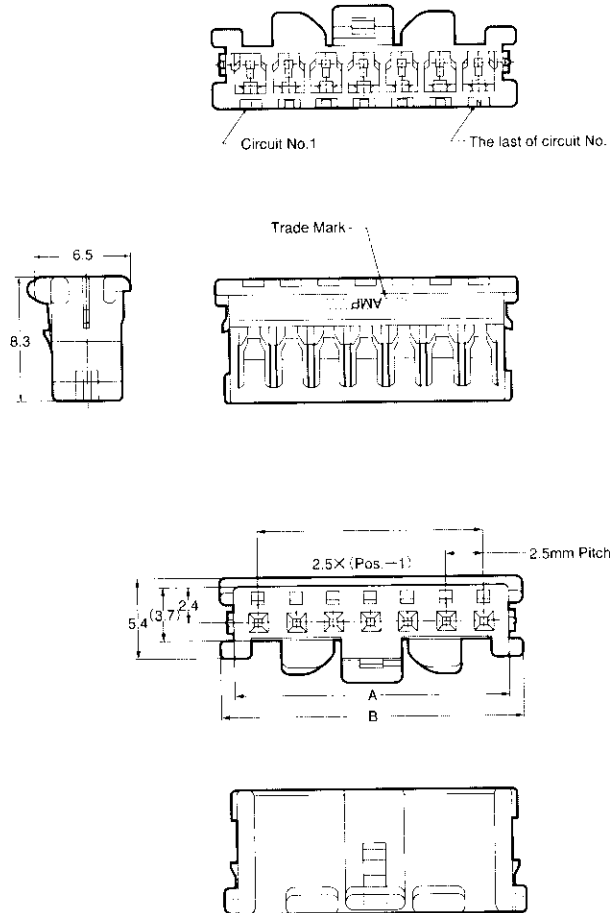
### Applicable Receptacle

Contacts Part No.:

1376476-1

Mating Header Assy, Part No.:

1376478, 1376492



No. of Pos.	Dimensions		Plug Housing Part No.		
	A	B	Natural	Red	Blue
2	5.7	7.5	1376477-2	1-1376477-2	2-1376477-2
3	8.2	10.0	1376477-3	1-1376477-3	-
4	10.7	12.5	1376477-4	-	2-1376477-4
5	13.2	15.0	1376477-5	1-1376477-5	-
6	15.7	17.5	1376477-6	1-1376477-6	2-1376477-6
7	18.2	20.0	1376477-7	1-1376477-7	-