

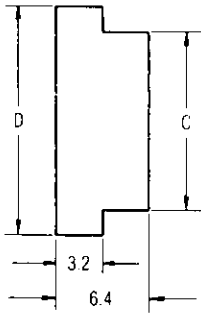
Wire to Board Connectors

CT (Common Termination) Connector System

Post Header Assemblies (For MT and Crimp Type)

For Translation Post Header Assembly (Panel Mounting Side)

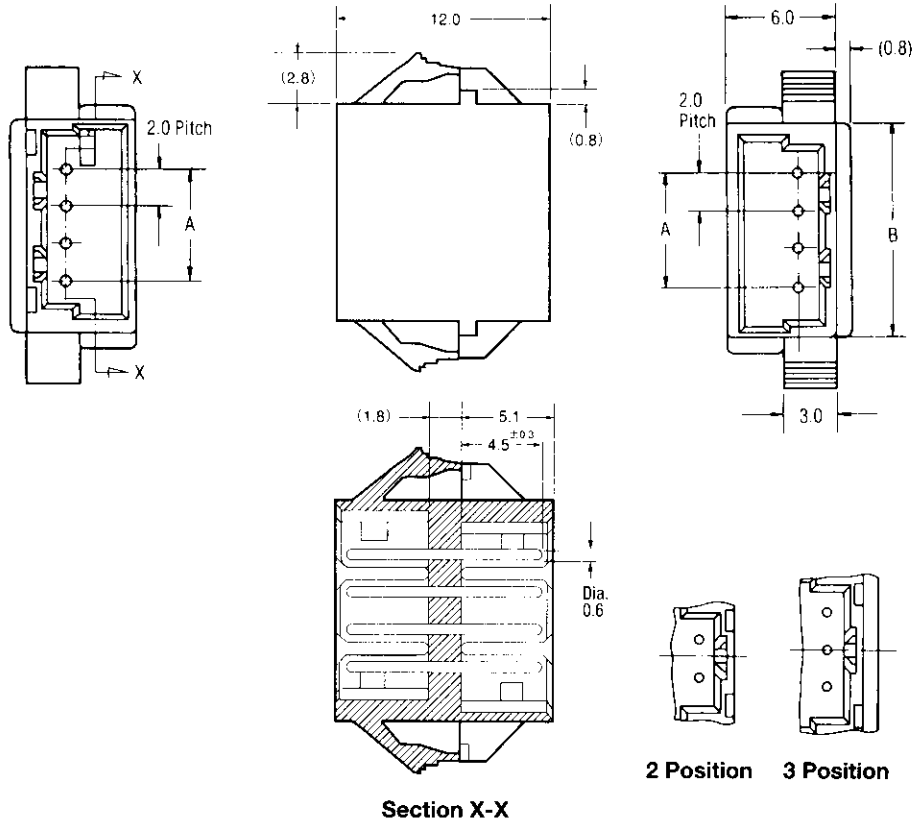
Material and Finish :
 Housing—UL94V-0 rated,
 6/6 Nylon, see chart for color
 Post Contact—Pre-tinned
 brass



Panel Cutout

(Nominal tolerance ± 0.1)

(Acceptable panel thickness:
 0.8~1.6mm)



No. of Pos.	Dimensions				Part No. of Post Header*
	A	B	C	D	
2	2.0	7.8	8.0	11.6	292254-2
3	4.0	9.8	10.0	13.6	292254-3
4	6.0	11.8	12.0	15.6	292254-4
5	8.0	13.8	14.0	17.6	292254-5
6	10.0	15.8	16.0	19.6	292254-6
7	12.0	17.8	18.0	21.6	292254-7
8	14.0	19.8	20.0	23.6	292254-8
9	16.0	21.8	22.0	25.6	292254-9
10	18.0	23.8	24.0	27.6	1-292254-0
11	20.0	25.8	26.0	29.6	1-292254-1
12	22.0	27.8	28.0	31.6	1-292254-2
13	24.0	29.8	30.0	33.6	1-292254-3
14	26.0	31.8	32.0	35.6	1-292254-4
15	28.0	33.8	34.0	37.6	1-292254-5

* The color of housing is natural. Other colors available include blue, yellow and black.
 For details contact our Sales Department.