

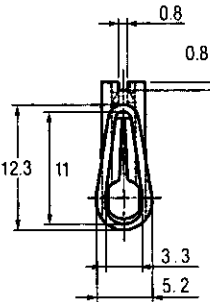
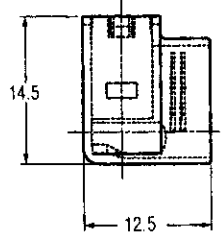
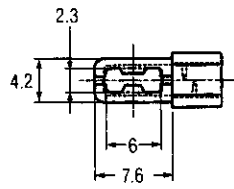
Terminals and Splices

POSITIVE LOCK EX Series Receptacles

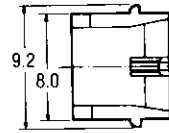
187 Series (Flag Type)

Flag Type Sleeve

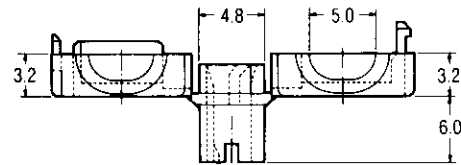
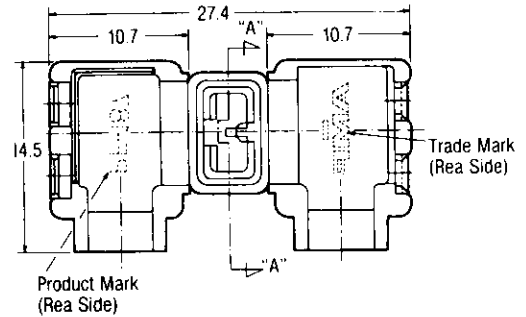
Applicable Contact
Part No. : 175019-1



Insulation Sleeve



Section A-A



One Touch Sleeve

Type	Wire. Ins. Dia.	Material (Color)	Part No. of Sleeve
Sleeve	1.7-4.32	Soft PVC, UL94V-2 rated (Blue)	1717269-1
		Soft PVC, UL94V-0 rated (Yellow)	1717269-2
One Touch Sleeve	1.7-3.1	6/6 Nylon, UL94V-0 rated (Natural)	1-178708-1

Mating Tab Dimension

