

Single Row Type/3.96mm Centerline

Cap Housing for Panel Mount Type, 4 circuits

Material:

UL 94V-0 rated, 6/6 Nylon

Part Number: 178740-□

Housing Color
(for suffixed no.)

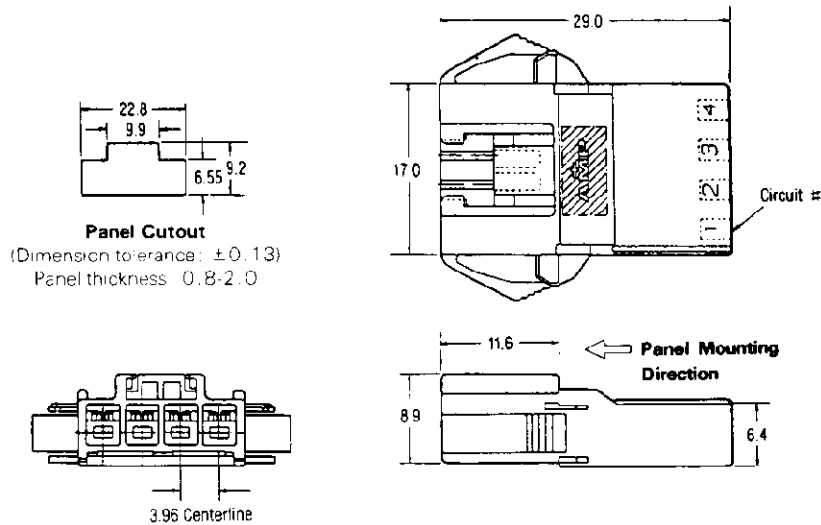
- 1—Natural
- 2—Red
- 4—Yellow
- 6—Blue
- 9—Black

Applicable Contact

P/N: 175149-□ (26-22 AWG)
175150-I-J (20-16 AWG)

Mating Housing:

P/N: 178481-□



Cap Housing for Free-Hanging Type

Material:

UL 94V-0 rated, 6/6 Nylon

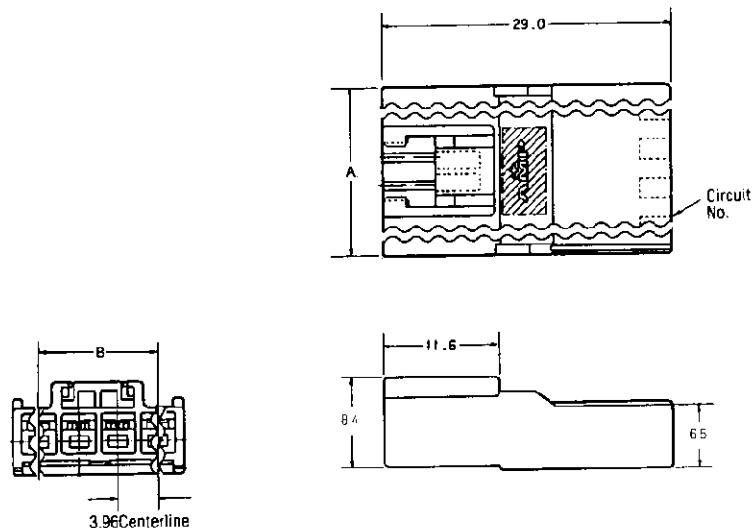
Housing Color

(for suffixed no.)

- 1—Natural
- 2—Red
- 4—Yellow
- 6—Blue
- 9—Black

Applicable Contact

P/N: 175149-I-J (26-22 AWG)
175150-□ (20-16 AWG)



No. of Circuit	Dimensions		Part Number of Cap Housing	Part Number of Mating Housing
	A	B		
4	17.0	11.88	178478-□	178481-□
5	20.9	15.84	178479-□	178482-□
6	24.9	19.80	178480-□	178483-□