

4

3

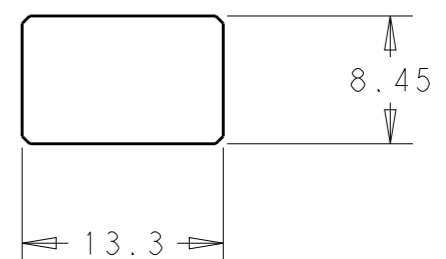
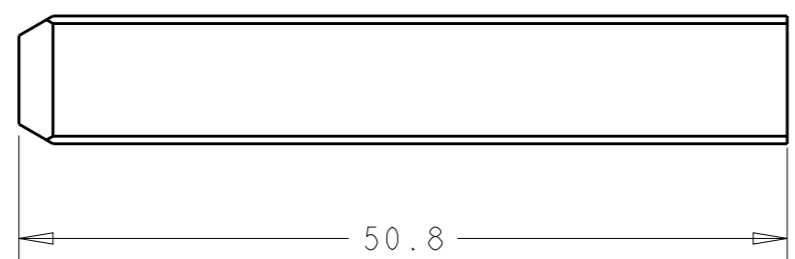
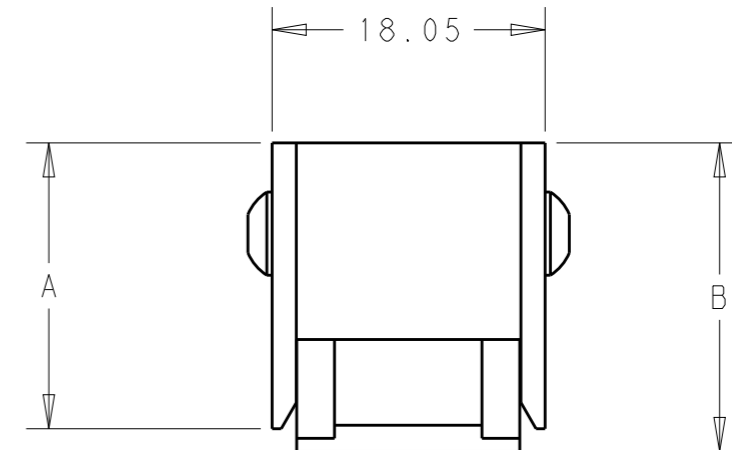
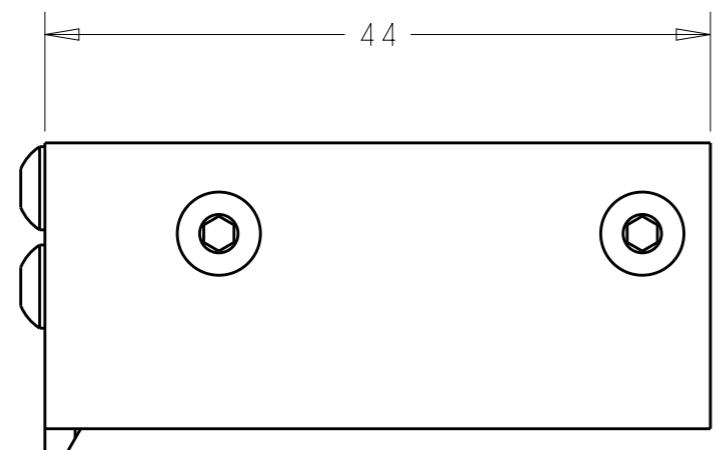
2


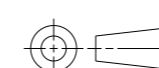
1

THIS DRAWING IS UNPUBLISHED. RELEASED FOR PUBLICATION 20  
 © COPYRIGHT 20 BY - ALL RIGHTS RESERVED.

REVISIONS					
P	LTR	DESCRIPTION	DATE	DWN	APVD
	A	INITIAL RELEASE	24JUL2015	CZ	VL

PART NUMBER	REV	FIRST USED	SIZE	A	B
2215087-1	A	2170680-1	1X1	18.9	20.4
2215087-2	A	2292736-1	1X1	23.15	24.65
2215087-3	A	2291634-1	1X1	22	23.5
2215087-4	A	2291634-2	1X1	24.3	25.8
2215087-5	A	2291634-3	1X1	31.2	32.7



THIS DRAWING IS A CONTROLLED DOCUMENT.		DWN C. ZHU	24JUL2015	 TE Connectivity	
DIMENSIONS: mm		CHK E. P	24JUL2015		
		APVD V. L	24JUL2015		
TOLERANCES UNLESS OTHERWISE SPECIFIED:		PRODUCT SPEC		NAME ASSY SEATING TOOL, SFP+	
0 PLC ±- 1 PLC ±- 2 PLC ±- 3 PLC ±- 4 PLC ±- ANGLES ±-		APPLICATION SPEC		RESTRICTED TO	
MATERIAL -		WEIGHT -		SIZE A3	CAGE CODE 00779
FINISH -		Customer Drawing		DRAWING NO C-2215087	
		SCALE 2:1		SHEET 1 OF 1	REV A