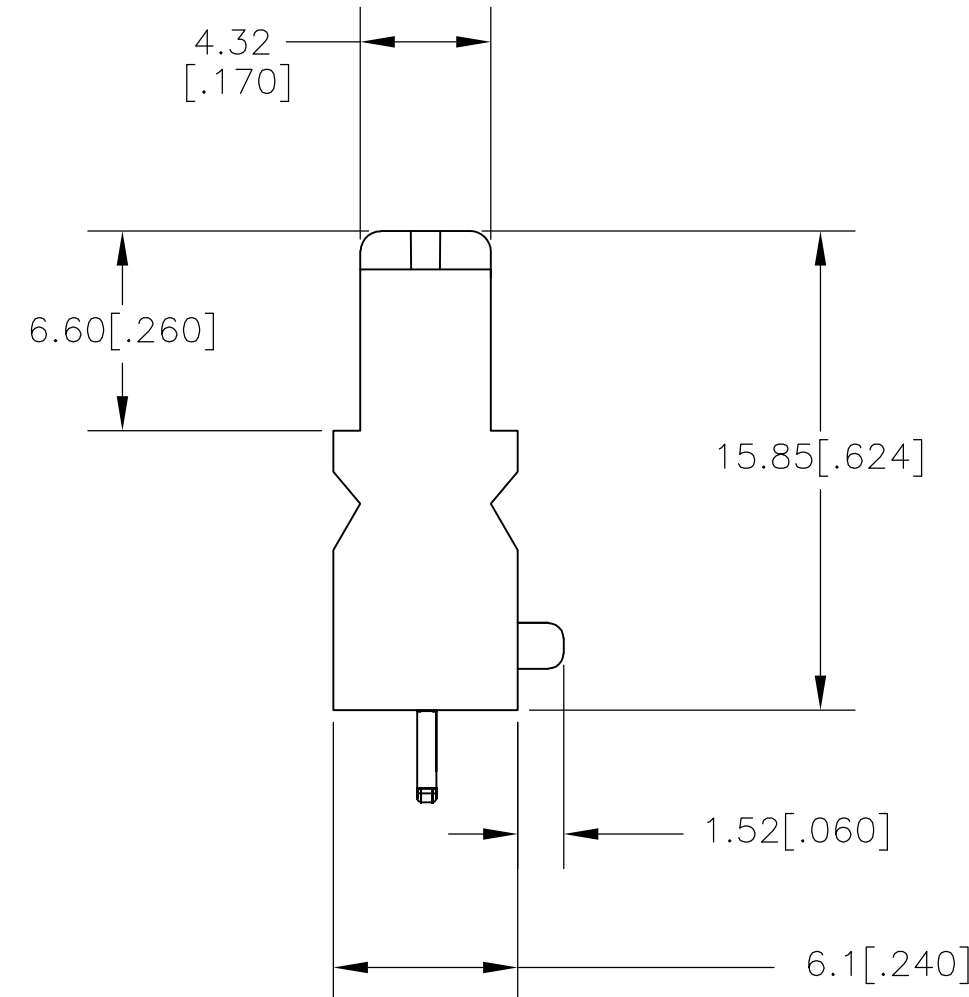
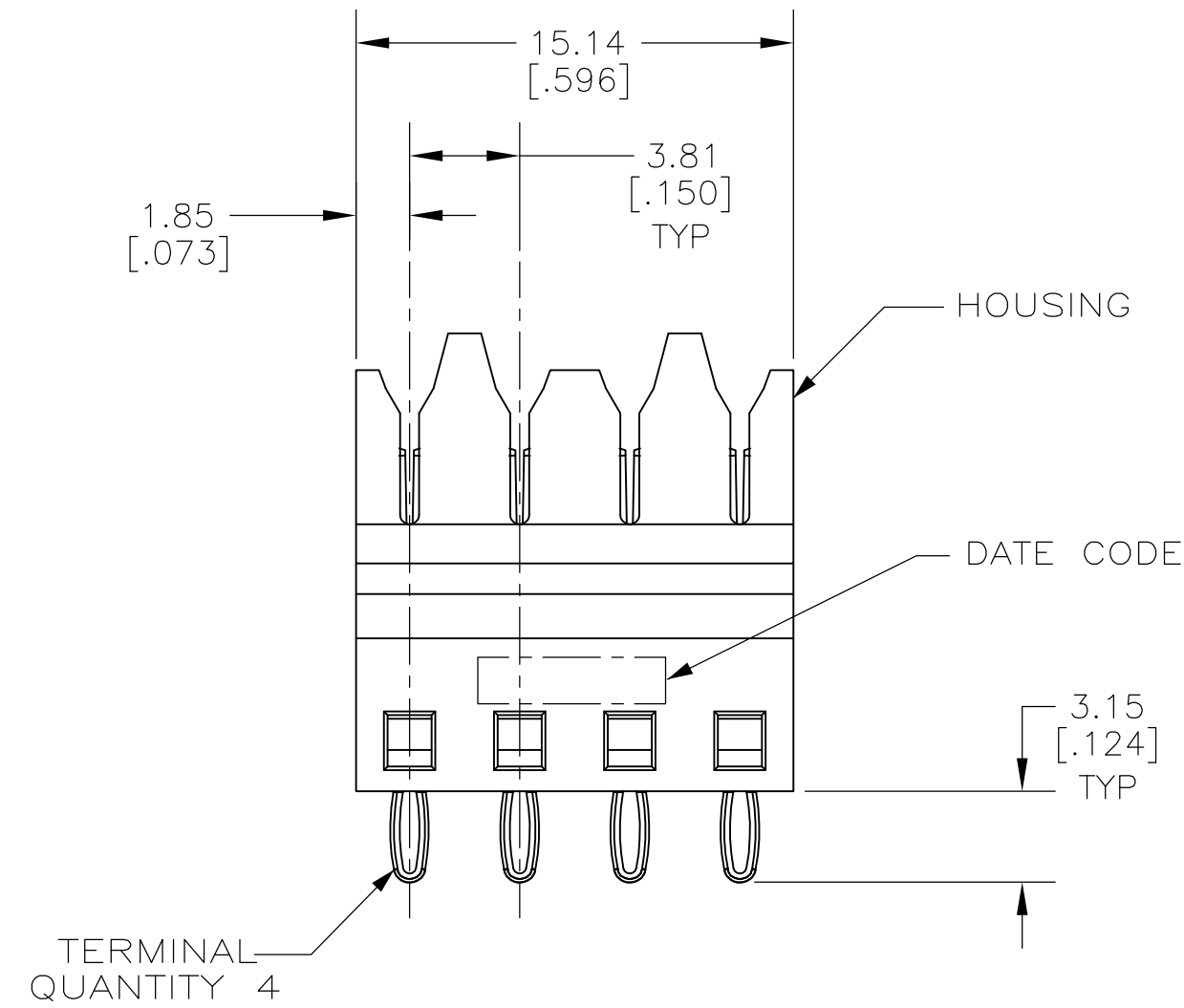
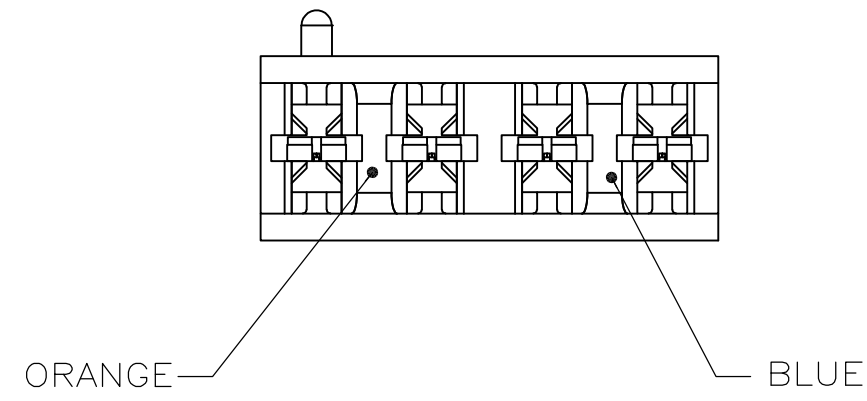
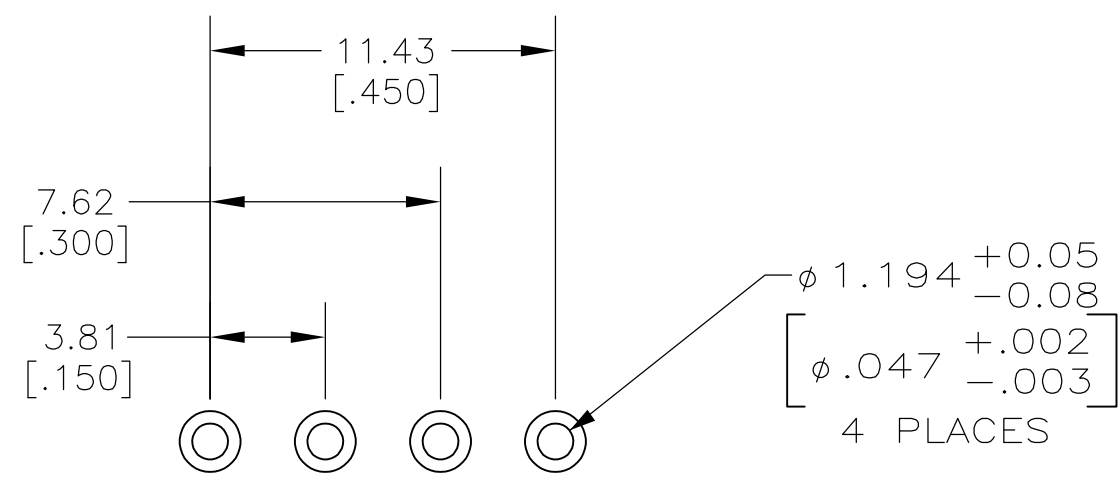


THIS DRAWING IS UNPUBLISHED. RELEASED FOR PUBLICATION  
 © COPYRIGHT BY TYCO ELECTRONICS CORPORATION. ALL RIGHTS RESERVED.

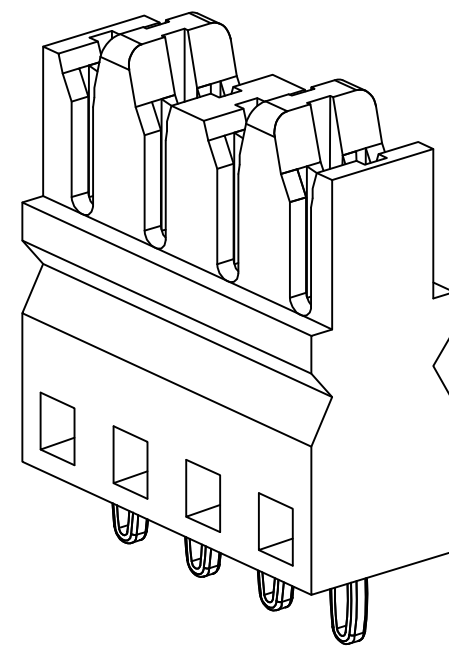
LOC	DIST	REVISIONS			
P	LTR	DESCRIPTION	DATE	DWN	APVD
HM	00	K	REV ECO-08-031555	13JAN2009	GG SH



- 1 MATERIAL: HOUSING-POLYCARBONATE MOLDING COMPOUND, IVORY.  
TERMINALS-PHOSPHOR BRONZE PLATED WITH 3.8 $\mu$ m [.000150] MINIMUM THICK TIN-LEAD OVER 1.27 $\mu$ m [.000050] MINIMUM THICK NICKEL UNDERPLATE.
- 2 ALL DIMENSIONS ARE NOMINAL UNLESS OTHERWISE SPECIFIED.
- 3 MATERIAL: HOUSING-POLYCARBONATE MOLDING COMPOUND, IVORY.  
TERMINALS-PHOSPHOR BRONZE PLATED WITH 3.8 $\mu$ m [.000150] MINIMUM THICK MATTE-TIN OVER 1.27 $\mu$ m [.000050] MINIMUM THICK NICKEL UNDERPLATE.



SUGGESTED PC BOARD LAYOUT



OBSOLETE	SAME AS 5--1 EXCEPT W/O LOGO AND W/O COLOR MARKINGS	3	7-558816-2
	AS SHOWN	3	5-558816-1
OBSOLETE	SAME AS -1 EXCEPT W/O LOGO AND W/O COLOR MARKINGS	1	2-558816-2
	AS SHOWN	1	558816-1
DESCRIPTION		PART NO.	

SUPERSEDED BY: 7-558816-2  
 SUPERSEDED BY: 5-558816-1

THIS DRAWING IS A CONTROLLED DOCUMENT.		DWN L SMITH 09FEB2006	Tyco Electronics Corporation Harrisburg, PA 17105-3608	
DIMENSIONS: mm [INCHES]		CHK L SMITH 09FEB2006	NAME	
TOLERANCES UNLESS OTHERWISE SPECIFIED:		APVD S HERNDON 09FEB2006	PRODUCT SPEC	
0 PLC ± -		APPLICATION SPEC		
1 PLC ± -		SIZE CAGE CODE DRAWING NO RESTRICTED TO		
2 PLC ± 0.25[.01]		A2 00779 C=558816		
3 PLC ± 0.13[.005]		SCALE 4:1 SHEET 1 of 1 REV K		
4 PLC ± -		CUSTOMER DRAWING		
ANGLES ± -				
FINISH				