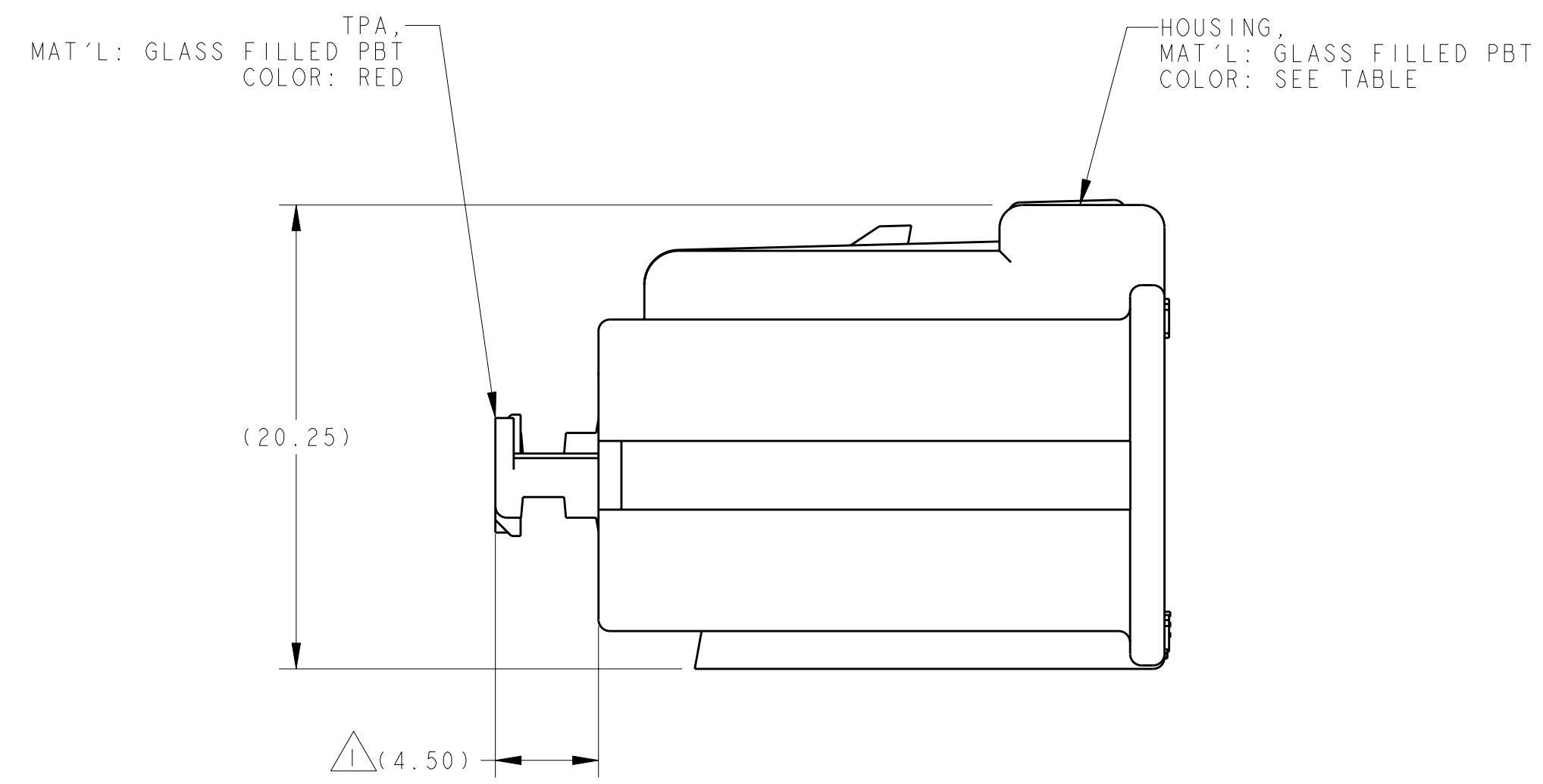
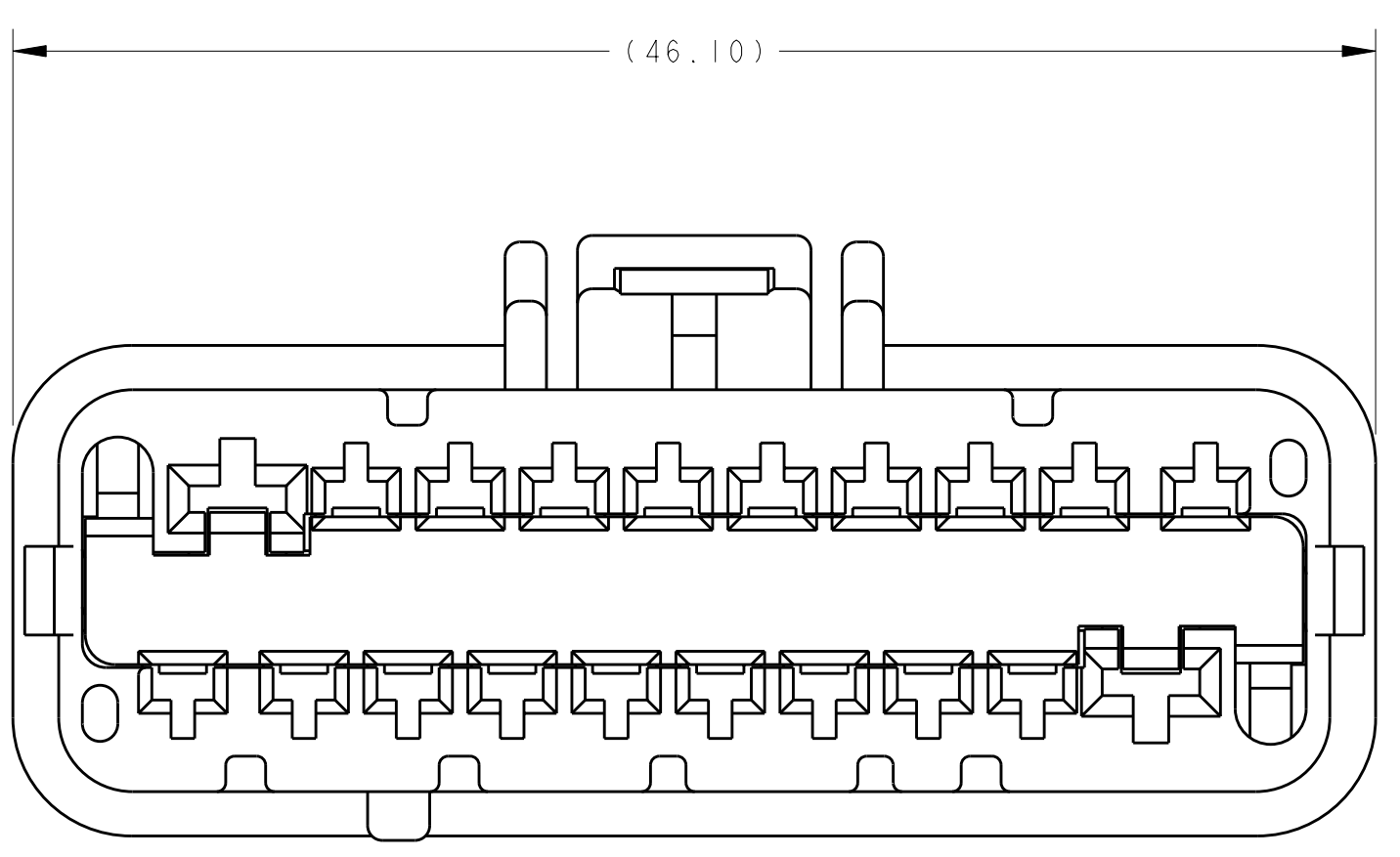
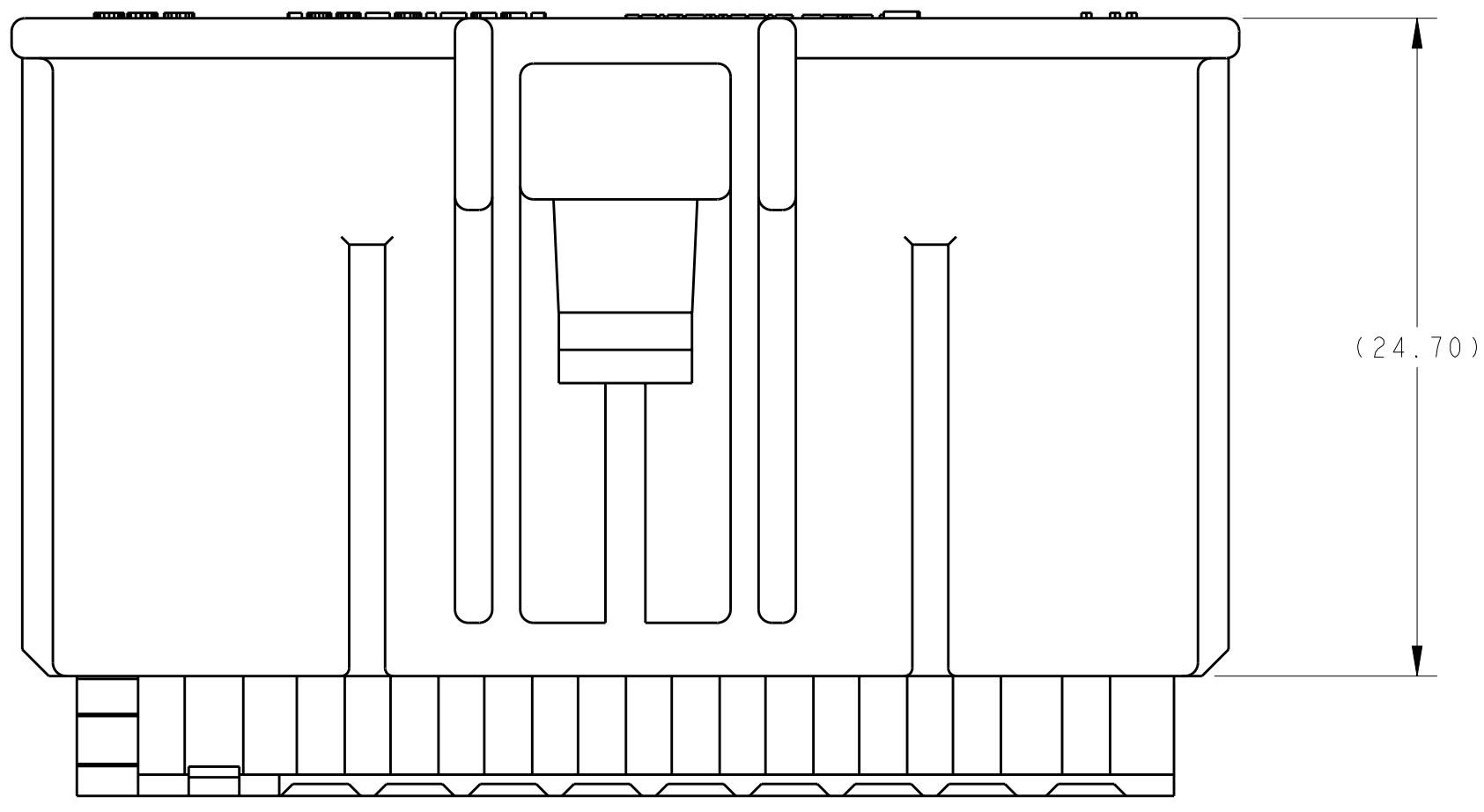


LOC	DIST	REVISIONS			
		REV	DATE	BY	APP'D
IN	00	1	27AUG2009	JRS	BSB
		2	16FEB2010	JRS	BSB
		A	20DEC2010	HM	BB



△ TPA SHIPPED IN STAGED POSITION.  
 2. THIS PLUG CONNECTOR MATES WITH CAP CONNECTOR, TYCO ELECTRONICS DRAWING NUMBER 2098380 AND IS INTENDED FOR CLASS 2 (105°C MAX) APPLICATIONS

HOUSING COLOR	CODE	ARRANGEMENTS KEYING	PART NUMBER
WHITE	C		2098377-3
GRAY	B		2098377-2
BLACK	A		2098377-1

DIMENSIONS: mm TOLERANCES UNLESS OTHERWISE SPECIFIED: 9 PLC ± 1 PLC ± 3 PLC ± 5 PLC ± 4 PLC ± ANGLES ± FINISH #1 MATERIAL SEE CALLOUT		DWN: J. R. SHUEY 27AUG2009 CHK: B. S. RUCHTER 27AUG2009 APVD: B. S. RUCHTER PRODUCT SPEC: - APPLICATION SPEC: - WEIGHT: - CUSTOMER DRAWING		Tyco Electronics Harrisburg, PA 17105-3608 NAME: PLUG, 20 POSITION HYBRID, UNSEALED SIZE: 1.5/2.8 SCALE: 4:1 SHEET 1 OF 1 REV A	
--	--	--	--	---	--