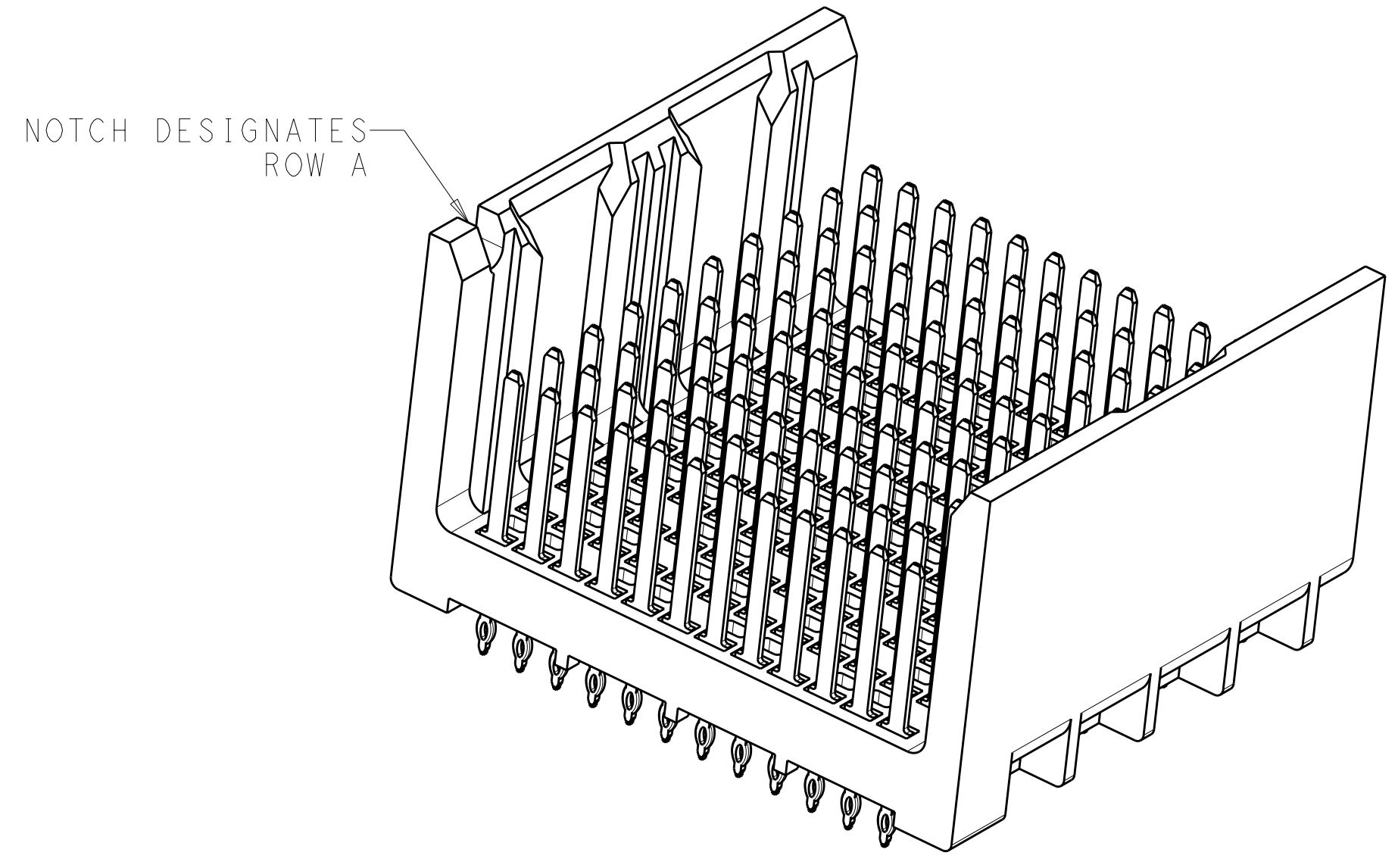
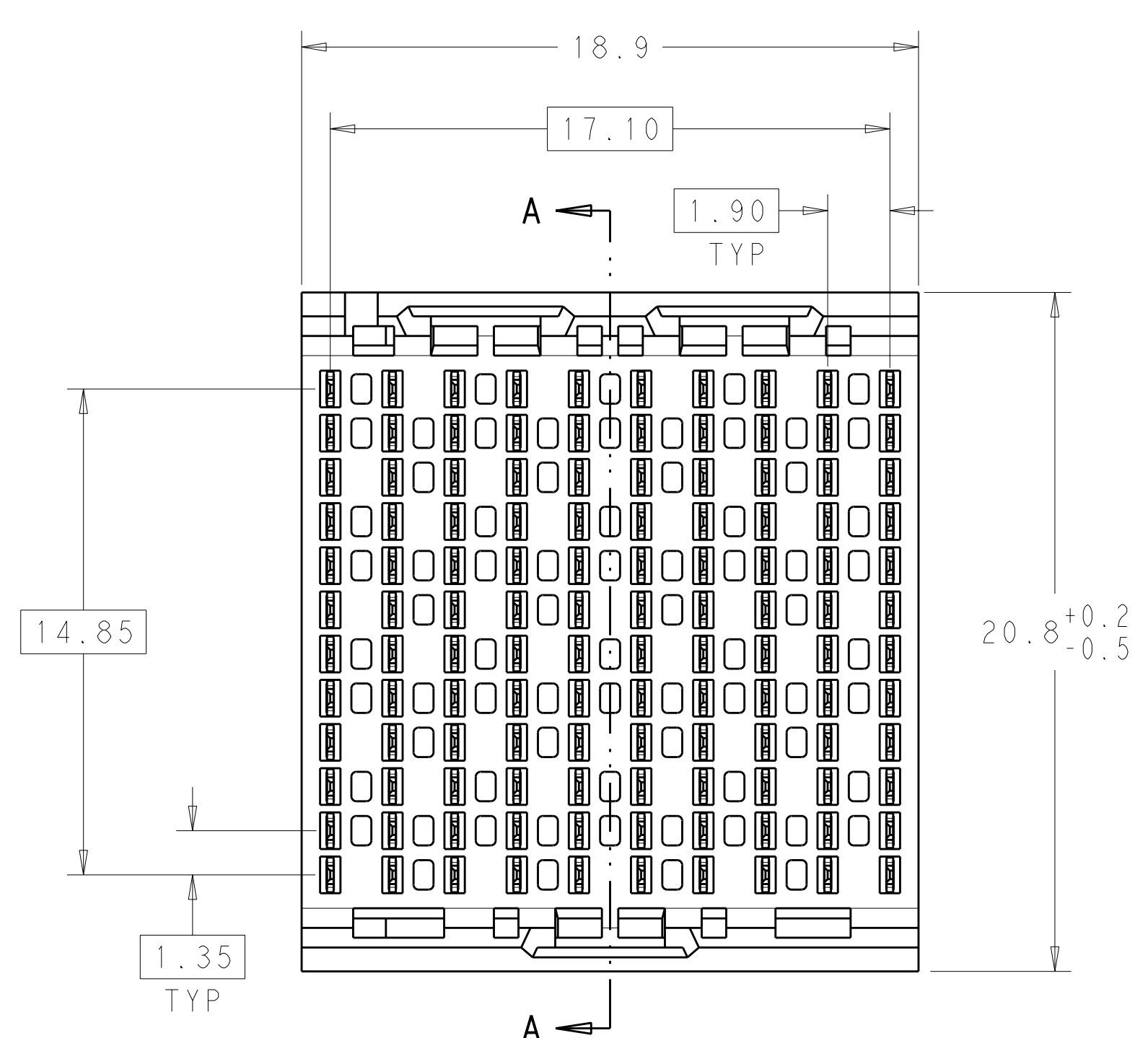
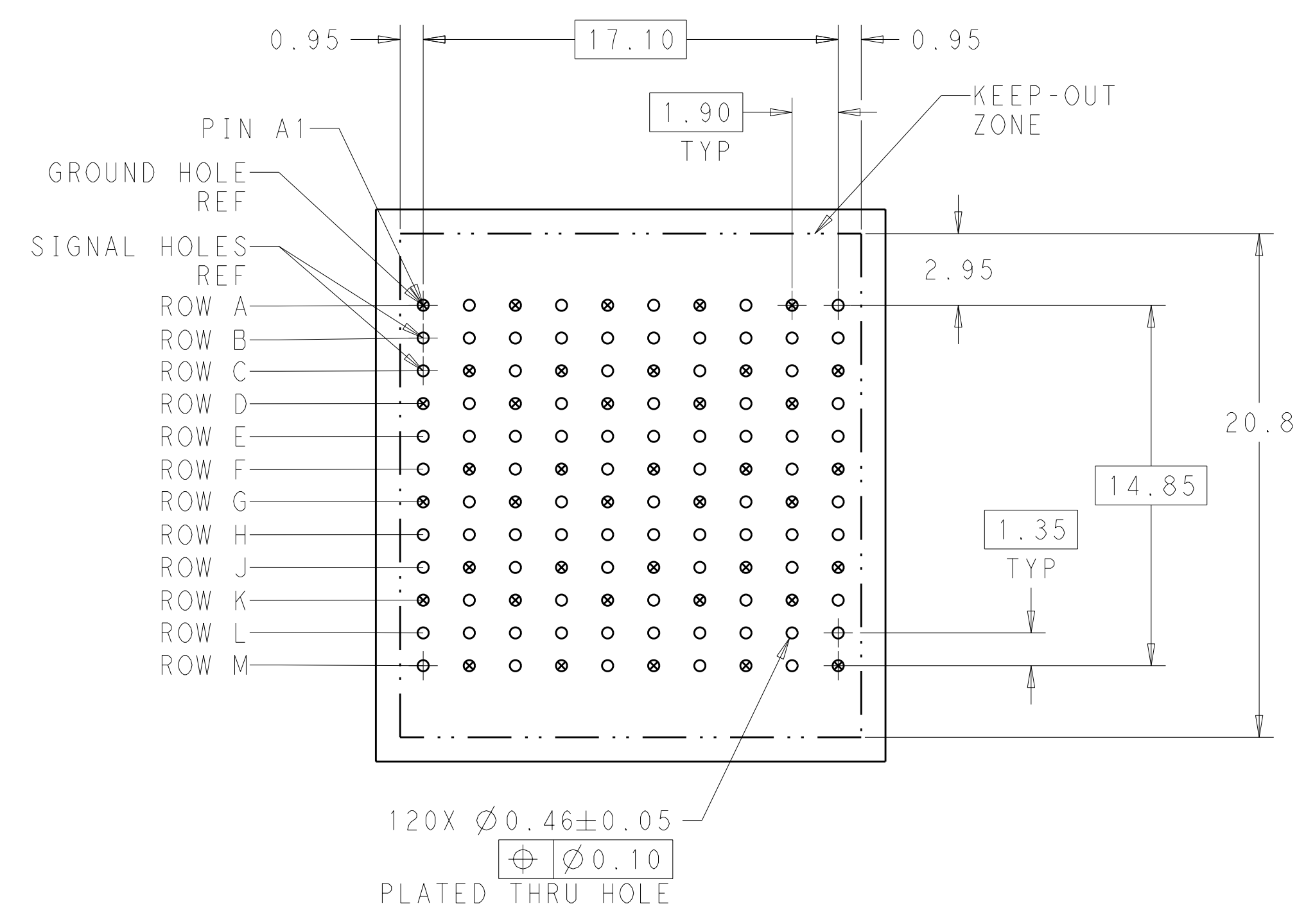


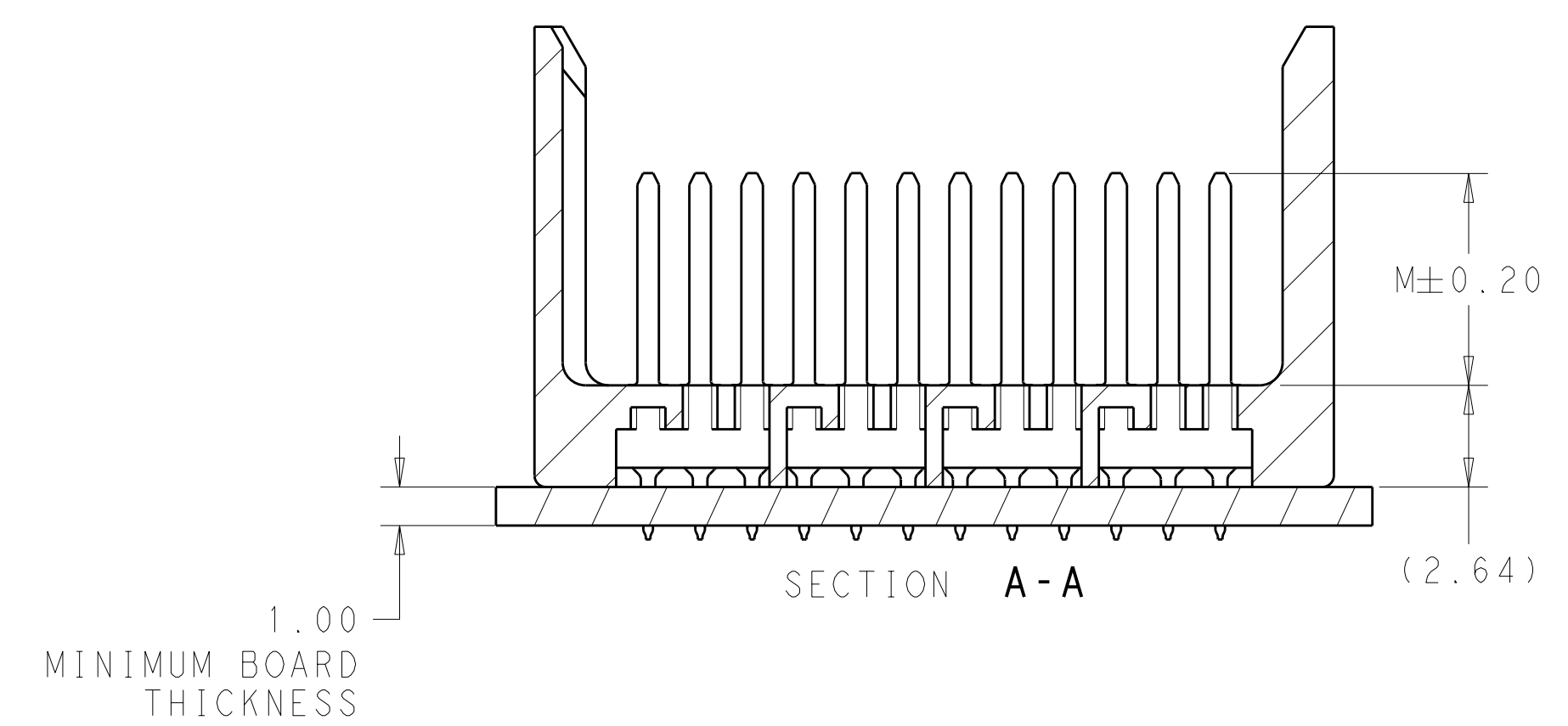
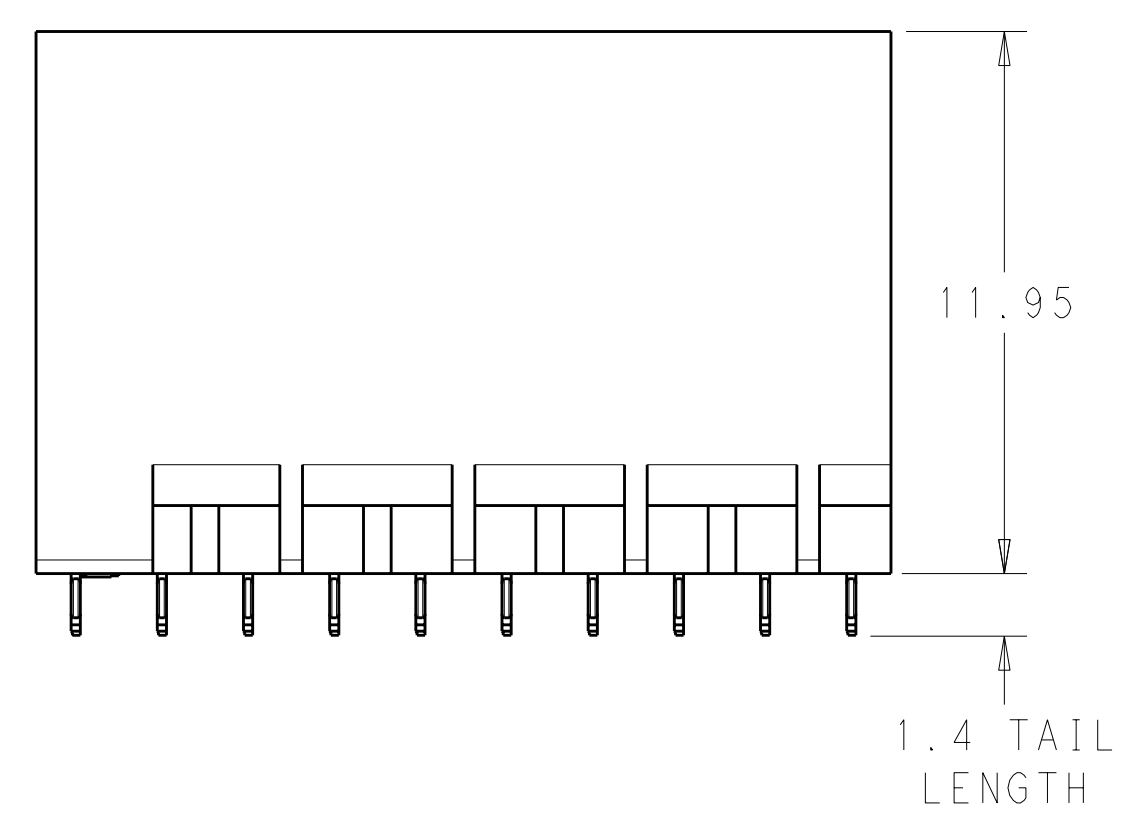
LOC		DIST		REVISIONS			
AD	00	P	LTR	DESCRIPTION	DATE	DWN	APVD
		A		RELEASED	05OCT2011	RG	JE



- 1 MATERIAL:
HOUSING: LCP, GLASS FILLED, UL94V-0.
TERMINALS: HIGH PERFORMANCE COPPER ALLOY.
- 2 FINISH:
30μ" MIN GOLD IN CONTACT AREA. SELECTIVE TIN ON PCB TAILS, NICKEL OVERALL.
- 3 FINISH:
30μ" MIN GOLD IN CONTACT AREA. SELECTIVE TIN-LEAD ON PCB TAILS, NICKEL OVERALL.



UNGUIDED BACKPLANE HOLE PATTERN (CONNECTOR SIDE)




<small>THIS DRAWING IS UNPUBLISHED. RELEASED FOR PUBLICATION 20. COPYRIGHT 20 BY TYCO ELECTRONICS CORPORATION. ALL INTERNATIONAL RIGHTS RESERVED.</small>		DWN J. K. SHOBER 22DEC2010 CHK J. EARY 22DEC2010 APVD J. EARY 22DEC2010	Tyco Electronics Corporation Harrisburg, PA 17105-3608
DIMENSIONS: mm TOLERANCES UNLESS OTHERWISE SPECIFIED: 0 PLC ± 1 PLC ±0.25 2 PLC ±0.13 3 PLC ± 4 PLC ± ANGLES ± FINISH SEE TABLE		NAME: IMPACT, 4 PAIR, 10 COLUMN, HEADER PRODUCT SPEC: UNGUIDED, OPEN END WALL APPLICATION SPEC: SIGNAL MODULE, 0.46 PTH	SIZE: A100779C=2007816 SCALE: 6:1 SHEET 1 OF 2 REV A
MATERIAL: SEE TABLE		WEIGHT: - CUSTOMER DRAWING	RESTRICTED TO: -

THIS DRAWING IS UNPUBLISHED. RELEASED FOR PUBLICATION 20
 © COPYRIGHT 20 BY TYCO ELECTRONICS CORPORATION. ALL INTERNATIONAL RIGHTS RESERVED.

LOC	DIST	REVISIONS					
AD	00	P	LTB	DESCRIPTION	DATE	DWN	APVD
		-	-	SEE SHEET 1	-	-	-

FINISH	DIM M	PART NUMBER
3	5.5	2007816-6
3	4.9	2007816-5
3	4.5	2007816-4
2	5.5	2007816-3
2	4.9	2007816-2
2	4.5	2007816-1

REFER TO WWW.TE.COM
 FOR PRODUCT AVAILABILITY

<small>THIS DRAWING IS UNPUBLISHED. RELEASED FOR PUBLICATION 2007. ALL RIGHTS RESERVED. THIS DRAWING IS UNPUBLISHED. RELEASED FOR PUBLICATION 2007. ALL RIGHTS RESERVED. THIS DRAWING IS UNPUBLISHED. RELEASED FOR PUBLICATION 2007. ALL RIGHTS RESERVED.</small>		DWN J. K. SHOBER 22DEC2010 CHK J. EARY 22DEC2010	 Tyco Electronics Corporation Harrisburg, PA 17105-3608
DIMENSIONS: mm	TOLERANCES UNLESS OTHERWISE SPECIFIED: 9 PLC ± 1 PLC ±0.25 5 PLC ±0.13 4 PLC ± ANGLES ± FINISH SEE TABLE	APVD J. EARY 22DEC2010 PRODUCT SPEC APPLICATION SPEC WEIGHT CUSTOMER DRAWING	NAME IMPACT, 4 PAIR, 10 COLUMN, HEADER UNGUIDED, OPEN END WALL SIGNAL MODULE, 0.46 PTH SIZE CAGE CODE DRAWING NO. RESTRICTED TO A100779C=2007816 SCALE 5:1 SHEET 2 OF 2 REV A