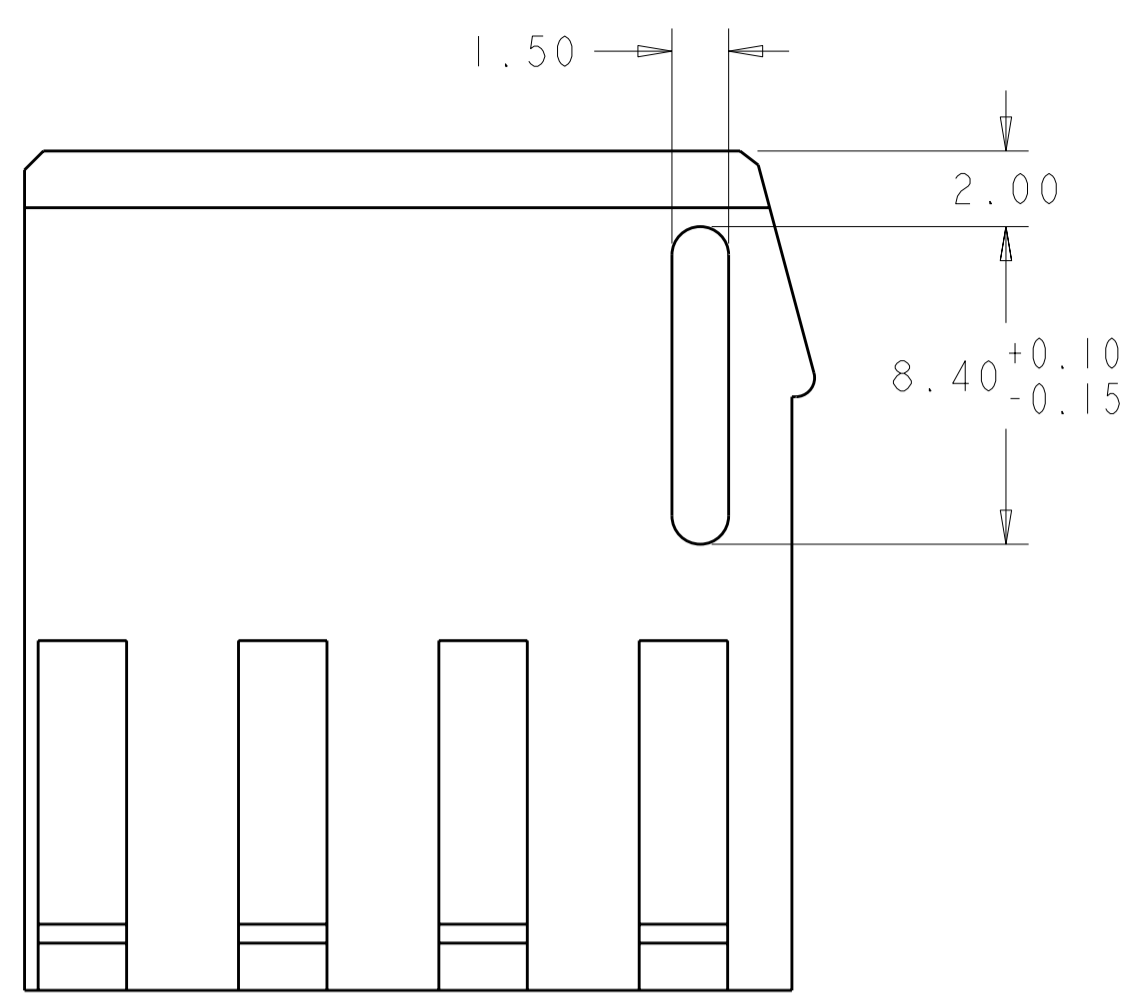
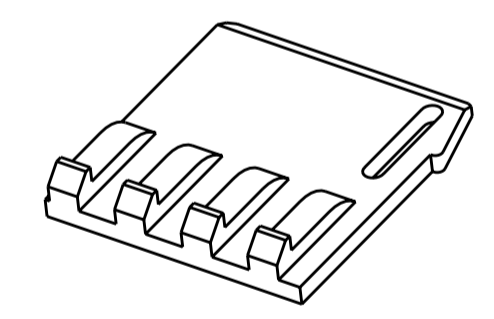
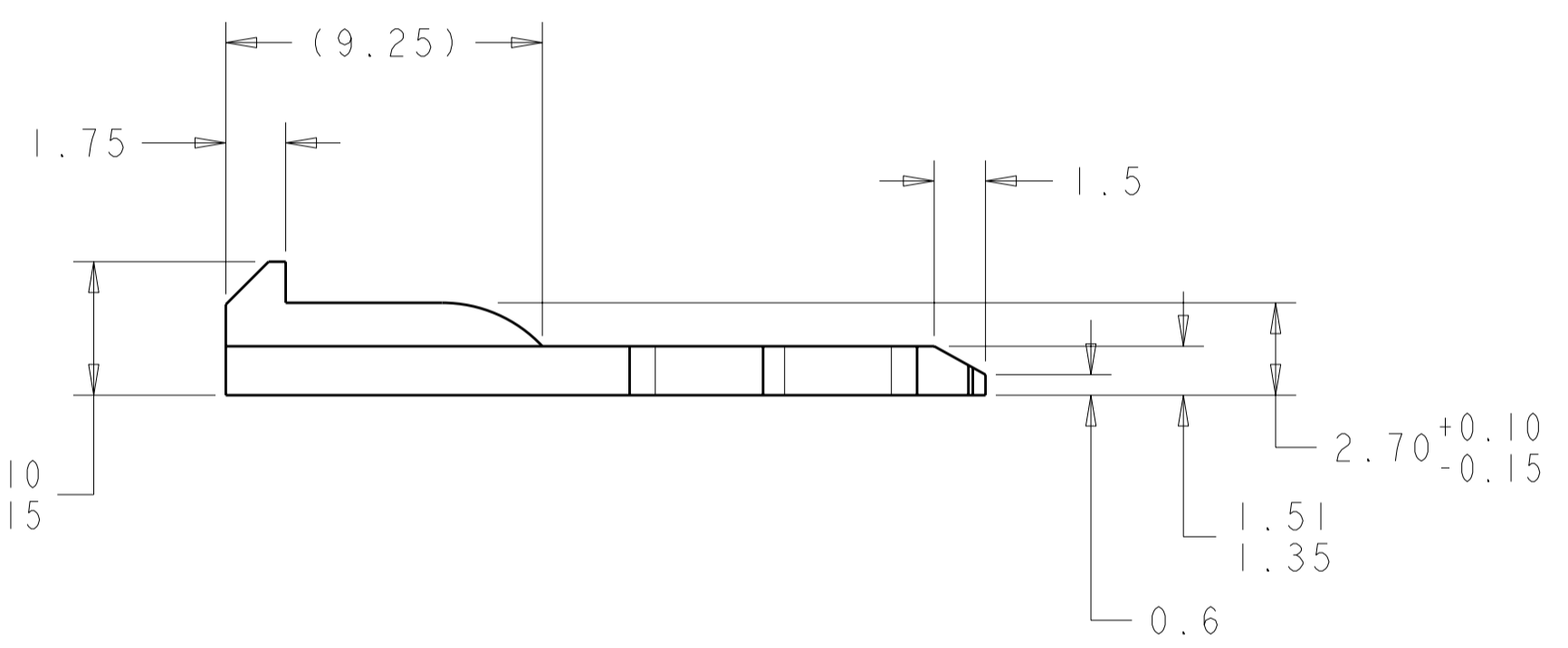
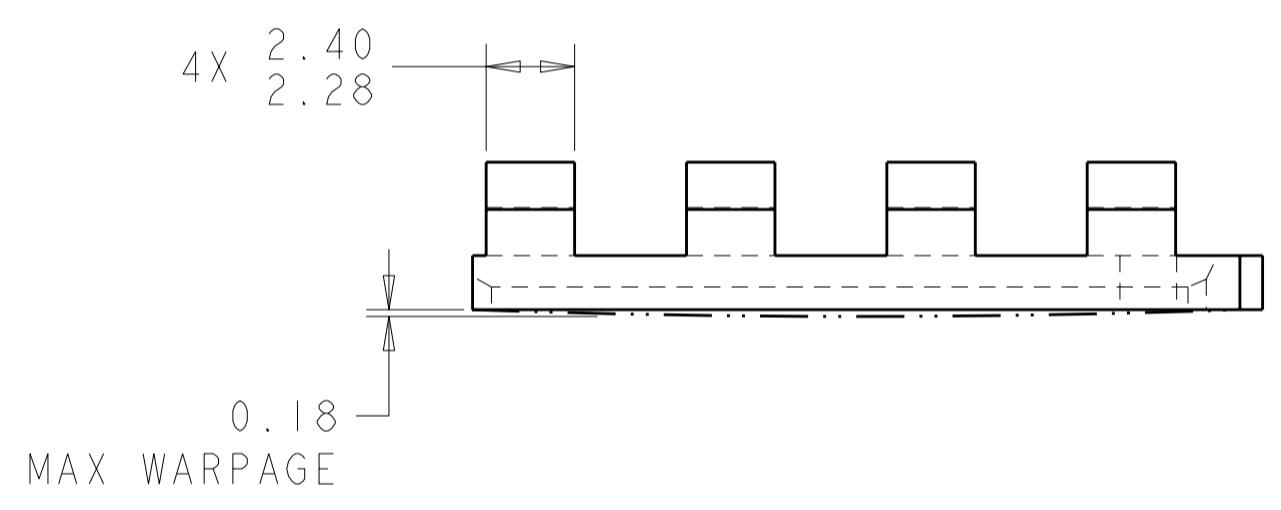


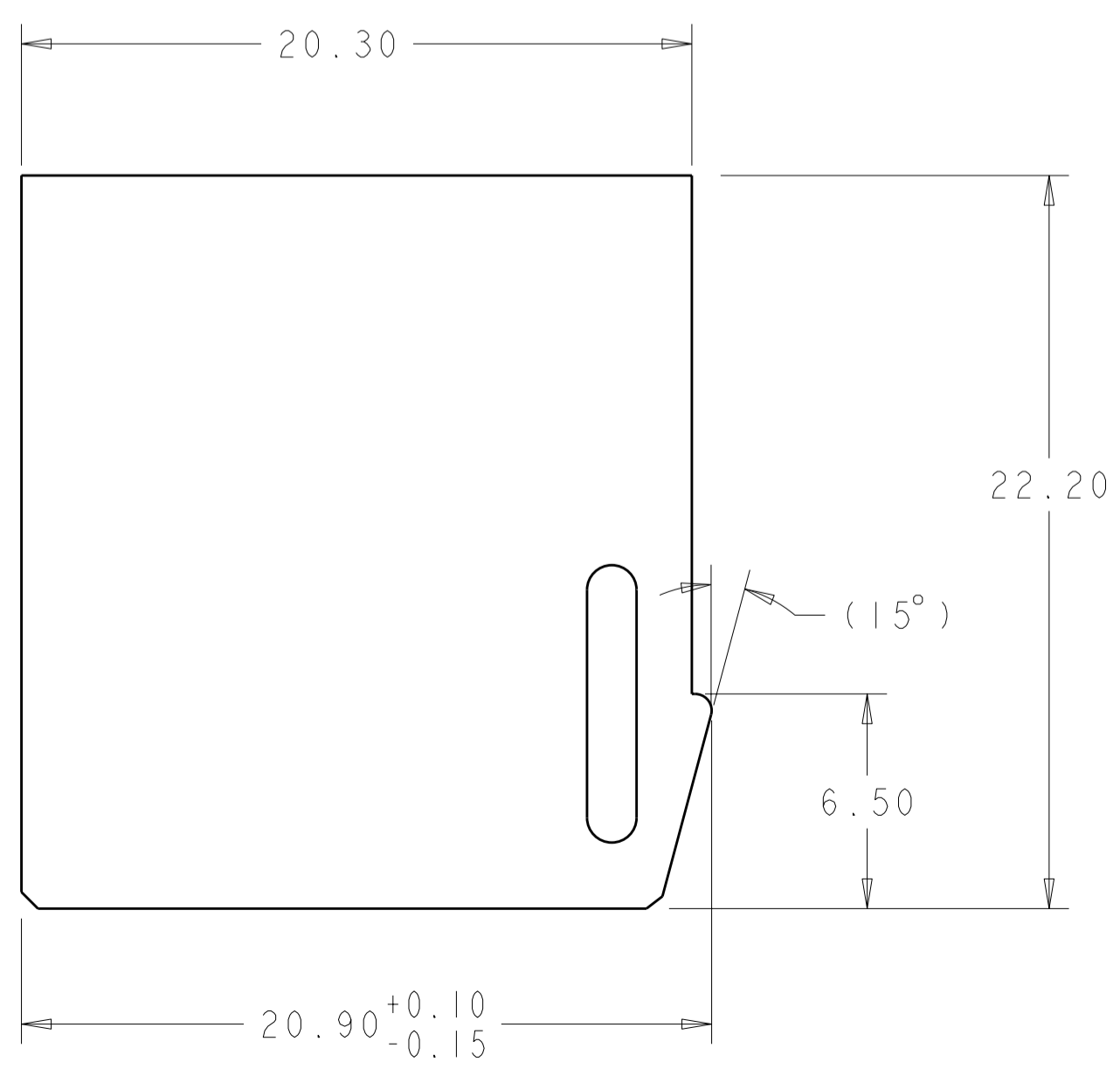
LOC	DIST	REVISIONS					
GE	00	P	LTR	DESCRIPTION	DATE	DWN	APVD
			A	RELEASED PER D08-150	18NOV2008	AH	BB



△ MATERIAL: POLYESTER PBT, COLOR, RED



SCALE 2:1



E9DB-14A468-AA	2-1437842-3
FORD PART NO.	TYCO ELECTRONICS PART NO.

THIS DRAWING IS A CONTROLLED DOCUMENT FOR TYCO ELECTRONICS CORPORATION. IT IS SUBJECT TO CHANGE AND THE CONTROLLING ENGINEERING ORGANIZATION SHOULD BE CONTACTED FOR THE LATEST REVISION.		DWN	A. HOLT	18NOV2008	Tyco Electronics Harrisburg, PA 17105-3608
DIMENSIONS: mm		CHK	B. BURKEPILE	18NOV2008	
TOLERANCES UNLESS OTHERWISE SPECIFIED:		APVD	B. BURKEPILE	18NOV2008	
0 PLC ±- 1 PLC ±0.3 2 PLC ±0.10 3 PLC ±- 4 PLC ±- ANGLES ±° FINISH		PRODUCT SPEC - APPLICATION SPEC - WEIGHT -		NAME SPACER, WIRE CONNECTOR	
MATERIAL	△	CUSTOMER DRAWING		SCALE 5:1	RESTRICTED TO