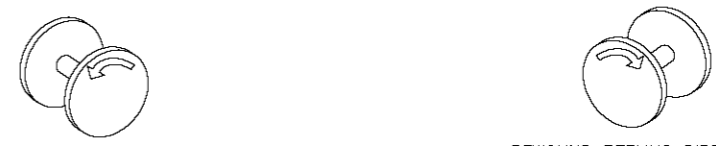
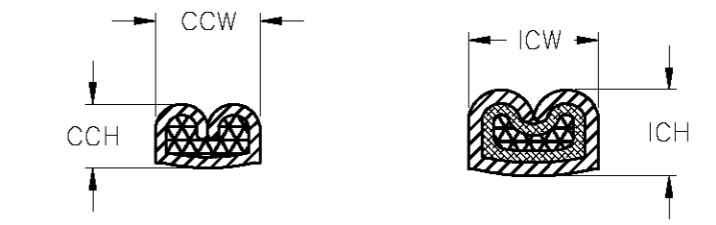
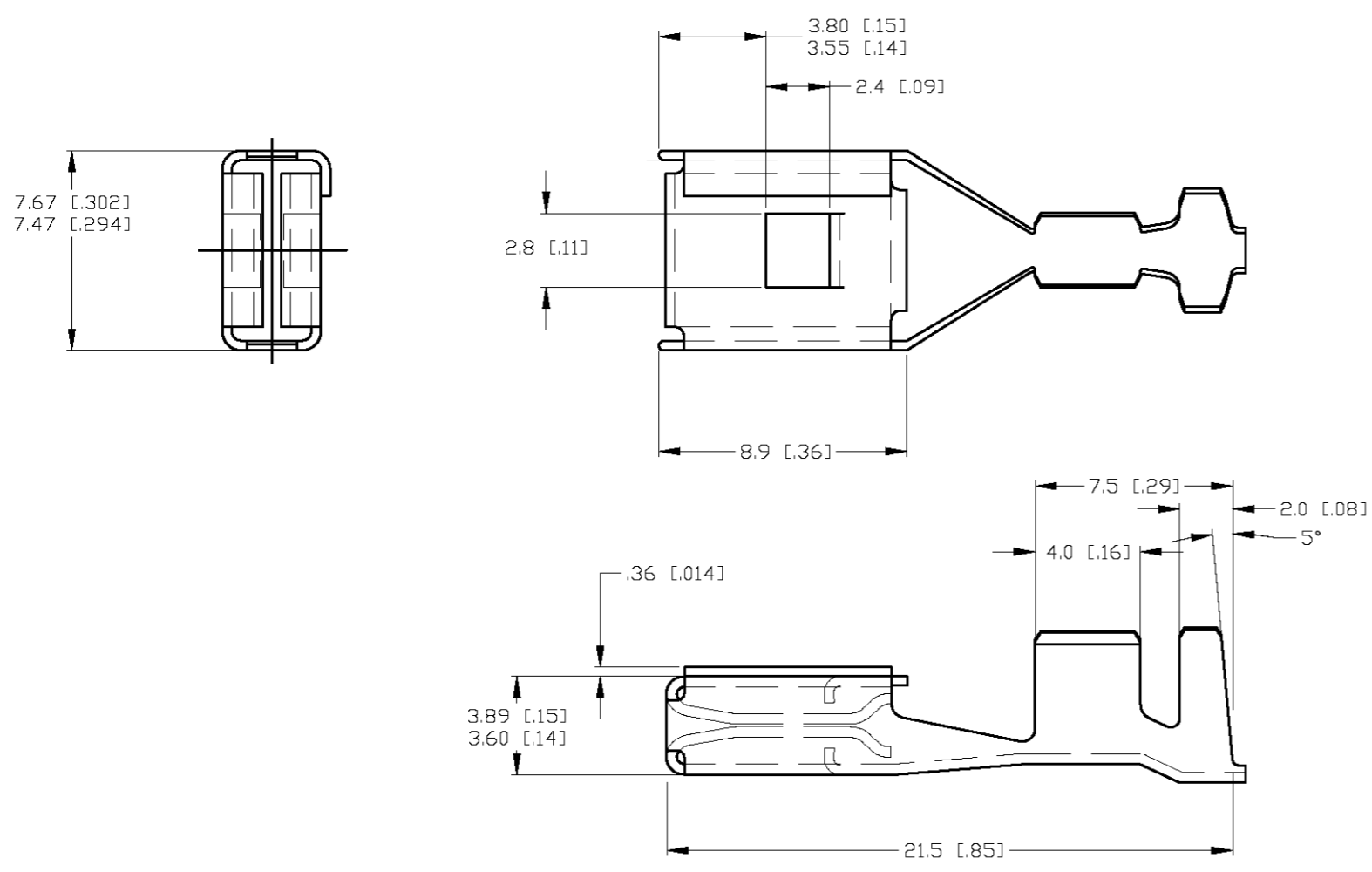


THIS DRAWING IS UNPUBLISHED. RELEASED FOR PUBLICATION  
 © COPYRIGHT BY TYCO ELECTRONICS CORPORATION. ALL RIGHTS RESERVED.

LOC	DIST	REVISIONS					
HK	00	P	LTR	DESCRIPTION	DATE	DWN	APVD
		A		ECR-06-012191	09MAY06	RAH	RAH

GRIP CODE	WIRE SIZE (AWG)	CCW CONDUCTOR CRIMP WIDTH (TOL ±0.10)	CCH CONDUCTOR CRIMP HEIGHT (TOL ±0.05)	ICW INSULATION CRIMP WIDTH (THIN WALL) (TOL ±0.10)	ICH INSULATION CRIMP HEIGHT (THIN WALL) (TOL ±0.10)	ICW INSULATION CRIMP WIDTH (STD WALL) (TOL ±0.10)	ICH INSULATION CRIMP HEIGHT (STD WALL) (TOL ±0.10)
22	24	1.85	1.19	2.06	1.65	2.06	1.65
	22	1.85	1.30	2.06	1.80	2.06	1.80
19							
18	20	2.06	1.40	3.05	2.18	3.05	2.28
	18	2.06	1.50	3.05	2.28	3.05	2.44
14	16	2.64	1.70	3.71	2.90		
	14	2.64	1.85	3.71	3.10		
13	18+22	3.05	1.70	5.69			
	20+20	3.05	1.50	5.69			
	18+20	3.05	1.65	5.69			
	18+18	3.05	1.70	5.69			
	16+20	3.05	1.70	5.69			
	16+18	3.05	1.8	5.69			
11	14+20	3.86		6.60			
	14+18	3.86		6.60			
	14+16	3.86		6.60			
	12+20	3.86	1.72	6.60			
	12+18	3.86	1.80	6.60			
10	12	3.45	2.06	5.16	3.80		
	10	3.45	2.21	5.16	4.10		

RECOMMENDED CRIMP DIMENSIONS



TERMINALS ARE TO BE REELED WITH THE CRIMP GRIPS UP AND TO THE NEAR SIDE. UNWIND DIRECTION FROM RIGHT TO LEFT

TERMINALS ARE TO BE REELED WITH THE CRIMP GRIPS UP AND TO THE NEAR SIDE. UNWIND DIRECTION FROM LEFT TO RIGHT

-	2-1438238-3	22	LOW
-	2-1438238-2	19	LOW
-	2-1438238-0	18	LOW
-	1438238-8	14	LOW
-	2-1438238-1	13	LOW
-	1-1438238-2	11	LOW
1-1438238-0	1438238-9	10	LOW
-	1438238-1	22	LOW
-	1-1438238-9	19	LOW
-	1-1438238-1	18	LOW
-	1438238-3	14	LOW
-	1438238-4	13	LOW
-	1438238-5	11	LOW
-	1438238-6	10	LOW
-	1-1438238-3	22	HIGH
-	1-1438238-5	19	HIGH
-	1-1438238-8	18	HIGH
-	1438238-2	14	HIGH
-	1-1438238-7	13	HIGH
-	1-1438238-6	11	HIGH
-	1-1438238-4	10	HIGH
TYCO ELECTRONICS REWOUND P/N	TYCO ELECTRONICS P/N	GRIP CODE	INSERTION FORCE

THIS DRAWING IS A CONTROLLED DOCUMENT.

DIMENSIONS: MM	TOLERANCES UNLESS OTHERWISE SPECIFIED:	DWN JR BUSSARD 09 MAY 2003	Tyco Electronics Corporation Harrisburg, PA 17105-3608
	0 PLC ± - 1 PLC ± - 2 PLC ± .25 3 PLC ± - 4 PLC ± - ANGLES ± 2°	CHK DM REVAK 09 MAY 2003	
		APVD DM REVAK 09 MAY 2003	
		PRODUCT SPEC	
MATERIAL	FINISH	NAME	TERMINAL BLADE TYPE FEMALE
		APPLICATION SPEC	
		WEIGHT	SIZE CAGE CODE DRAWING NO RESTRICTED TO
		CUSTOMER DRAWING	A3 00779 C-1438238
		SCALE 4:1	SHEET 1 OF 1 REV A