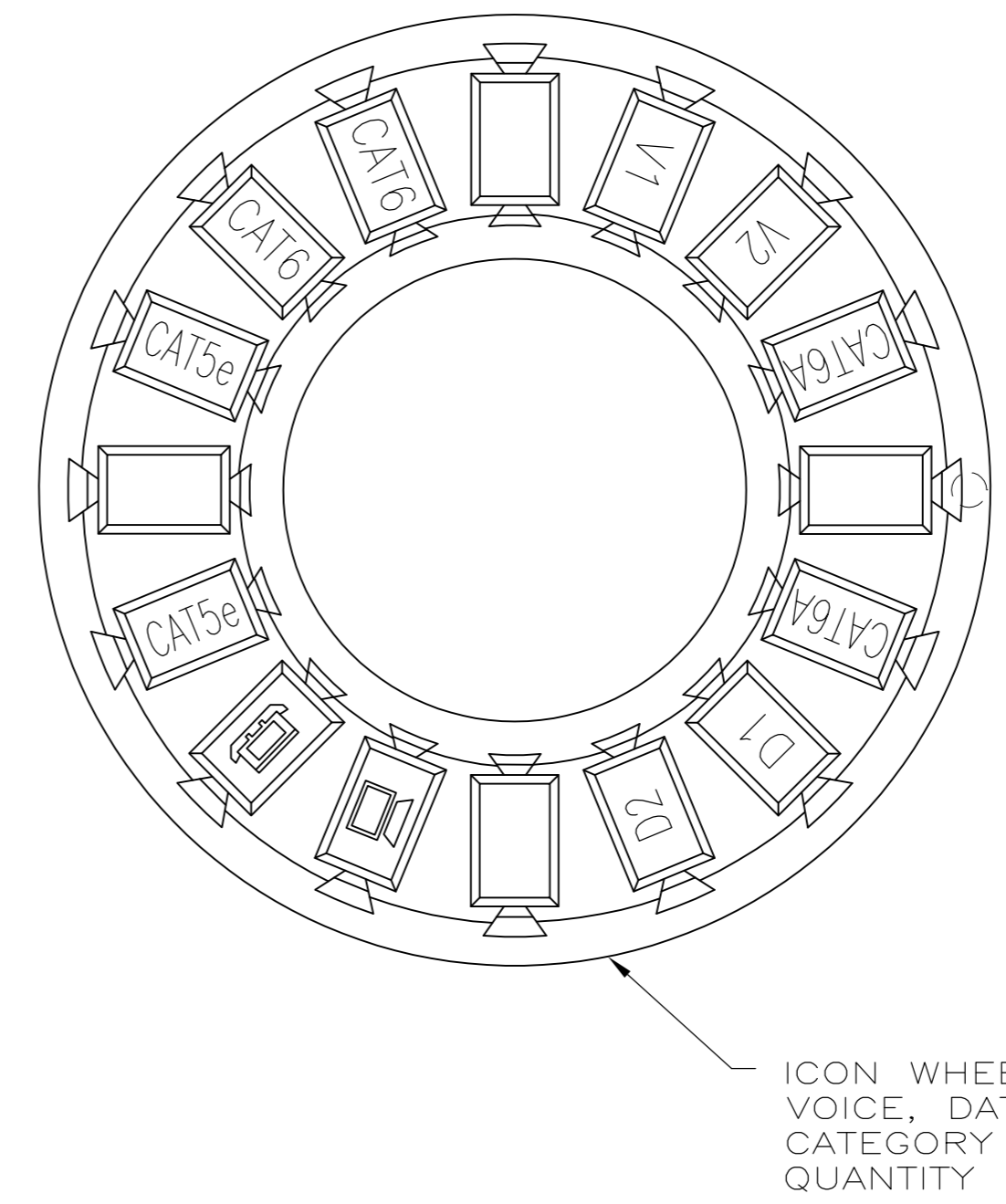
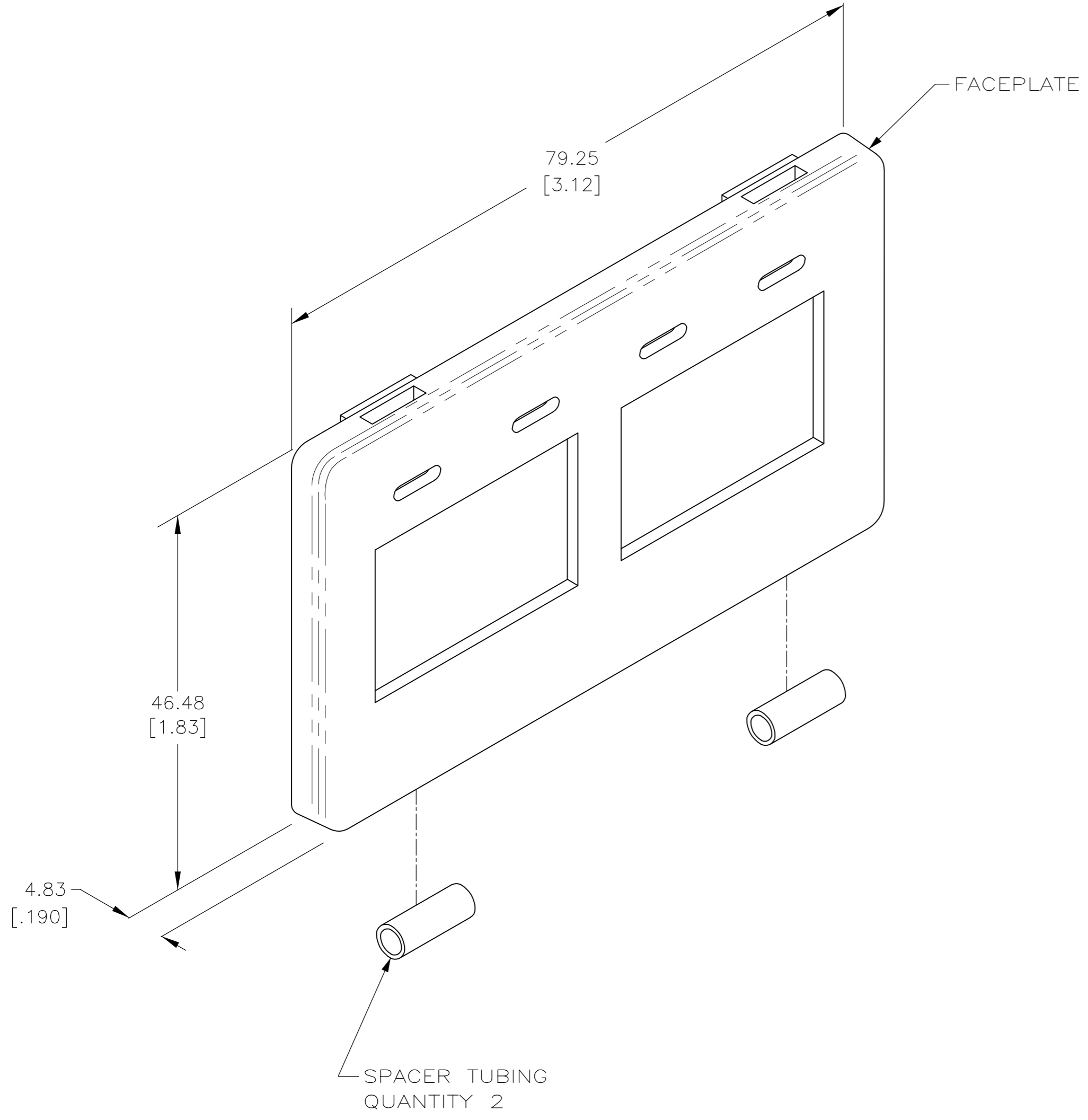


THIS DRAWING IS UNPUBLISHED. RELEASED FOR PUBLICATION
 © COPYRIGHT BY TYCO ELECTRONICS CORPORATION. ALL INTERNATIONAL RIGHTS RESERVED.

LOC	DIST	REVISIONS					
		P	LTR	DESCRIPTION	DATE	DWN	APVD
HM	00		B	REV; EC 0B40-0043-00	22FEB00	GG	GB
			C	REV ECD-09-024123	02NOV09	LH	RA
			D	OBSOLETE -2,-4; REV ECD-10-009307	05MAY2010	LH	RA
			E	REV ECD-10-011451	01JUN2010	LH	RA



- KIT SHIPPED NOT ASSEMBLED.
- MATERIAL: FACEPLATE - POLYCARBONATE MOLDING COMPOUND, 94V-0 RATED. SEE TABLE FOR COLORS.
 SPACER TUBE - POLYOLEFIN, BLACK.
 ICONS - ABS MOLDING COMPOUND, 94V-0 RATED. SEE TABLE FOR COLORS.

	ELECTRIC IVORY	1-1116563-1
SUPSD BY III6563-I	NEMA GRAY	1116563-4
SUPSD BY III6563-I	SOFT WHITE	1116563-2
	BLACK	1116563-1
	COLOR	PART NUMBER

THIS DRAWING IS A CONTROLLED DOCUMENT.		DWN G. GARRETT 16 MAR 99	01MAR00	Tyco Electronics Corporation Harrisburg, PA 17105-3608	
DIMENSIONS: mm [INCHES]		CHK B. WALLACE 16 MAR 99		NAME FACEPLATE KIT, 4 PORT, TOOLLESS JACK	
TOLERANCES UNLESS OTHERWISE SPECIFIED:		APVD B. WALLACE 16 MAR 99		PRODUCT SPEC	
0 PLC ± -		APPLICATION SPEC	408-3314	SIZE A2	CAGE CODE 00779
1 PLC ± -		WEIGHT	-	DRAWING NO C=1116563	RESTRICTED TO
2 PLC ± 0.51 [.02]		CUSTOMER DRAWING		SCALE 1:1	SHEET 1 of 1
3 PLC ± 0.13 [.005]				REV E	
4 PLC ± -					
ANGLES ± -					
FINISH					