



C Series

Switch with IEC Connector Compact Size



UL Recognized
CSA Certified
VDE Approved

C Series

Two function power entry module combining a DPST switch and an IEC 320 power line connector. Compact packaging allows a smaller panel cutout with choice of snap-in or flange mounting. Available with general purpose filtering (F models - CFS, CFE), medical application filtering (H models - CHS, CHE) or unfiltered (CS, CE). Terminals allow for easy connection to any wiring scheme. Preconnected terminals from line to switch are available (B Models - CBS, CBE) for reducing OEM wiring time.

The medical versions (H models) are designed specifically for health care applications. Their extremely low leakage current allows compliance with UL544 and UL2601 as well as CSA22.2 health care specifications for use with both patient and non-patient care equipment.

The C series also has the adaptability to fit into existing panel cutouts using snap-on extender options. Using the CA430 extender, the panel cutout height is increased by 0.13". (Extender is available pre-assembled using part numbers with 'K' designation)

Electrical Schematic

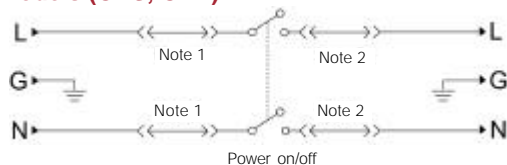
F Models (CFS, CFE)



H Models (CHS, CHE)



B Models (CBS, CBE)



Resistor location for reference only.

Note 1: Jumpers provided on CBS and CBE versions.
Note 2: Location of optional filter.



CFS



CS

Specifications

| | |
|----------------------------|---|
| Hipot rating (one minute): | |
| line-to-ground | 2250 VDC |
| line-to-line | 1450 VDC |
| Operating frequency: | 50/60 Hz |
| Rated voltage: | 120/250 VAC |
| Rated current: | 10A@120 VAC 10A @ 250 VAC |
| Operating voltages: | 115/230 VAC |
| Switch: | Double-insulated rated for 10,000 operations at full load. 51 Amp inrush capability. |
| Terminals: | Unfiltered .187" x .032" terminals Filtered .25" x .032" terminals |

Filtered Models Only:

| | | |
|--|------------------|-------|
| Maximum leakage current, each line-to-ground | | |
| F models | @ 120 VAC 60 Hz: | .25mA |
| | @ 250 VAC 50 Hz: | .40mA |
| H models | @ 120 VAC 60 Hz: | 2µA |
| | @ 250 VAC 50 Hz: | 5µA |

Minimum insertion loss in dB: Line-to-ground in 50 ohm circuit

| Current Rating | Frequency MHz | | | | | | |
|----------------|---------------|------|-----|---|---|----|----|
| | 0.05 | 0.15 | 0.5 | 1 | 5 | 10 | 30 |

H Models

| | | | | | | | |
|-----|----|----|----|----|----|----|----|
| 1A | 16 | 21 | 37 | 44 | 26 | 21 | 10 |
| 3A | 9 | 14 | 31 | 32 | 26 | 24 | 14 |
| 6A | 4 | 10 | 22 | 23 | 19 | 18 | 13 |
| 10A | 2 | 6 | 10 | 15 | 11 | 11 | 9 |

F Models

| | | | | | | | |
|-----|----|----|----|----|----|----|----|
| 1A | 10 | 26 | 46 | 48 | 46 | 47 | 46 |
| 3A | 8 | 16 | 32 | 36 | 43 | 48 | 50 |
| 6A | 4 | 11 | 22 | 27 | 36 | 41 | 50 |
| 10A | 1 | 4 | 14 | 18 | 27 | 33 | 42 |

Line-to-line in 50 ohm circuit

| Current Rating | Frequency MHz | | | | | | |
|----------------|---------------|------|-----|---|---|----|----|
| | 0.05 | 0.15 | 0.5 | 1 | 5 | 10 | 30 |

H Models

| | | | | | | | |
|-----|---|---|----|----|----|----|----|
| 1A | 1 | 6 | 13 | 29 | 38 | 42 | 26 |
| 3A | 1 | 5 | 10 | 22 | 36 | 34 | 36 |
| 6A | 1 | 5 | 14 | 20 | 31 | 33 | 37 |
| 10A | 1 | 4 | 11 | 19 | 32 | 37 | 38 |

F Models

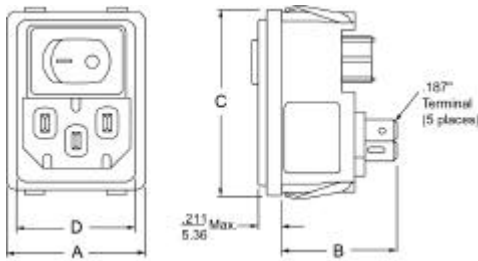
| | | | | | | | |
|-----|---|---|----|----|----|----|----|
| 1A | 1 | 3 | 13 | 28 | 62 | 67 | 42 |
| 3A | 2 | 6 | 14 | 23 | 65 | 65 | 67 |
| 6A | 2 | 6 | 14 | 27 | 46 | 48 | 58 |
| 10A | 1 | 7 | 14 | 23 | 42 | 44 | 62 |

Series C

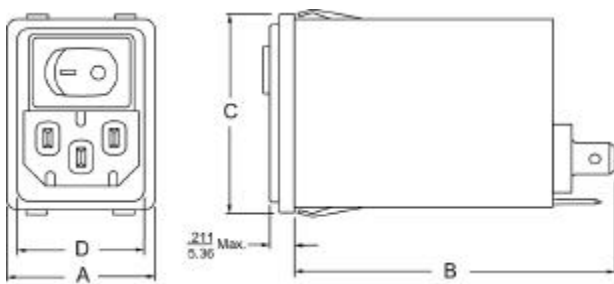
Case Styles

Metric shown in italics.

CS, CBS†

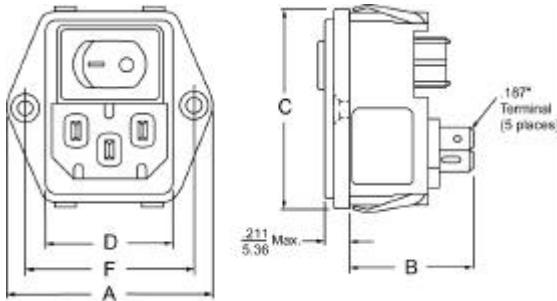


CFS, CHS

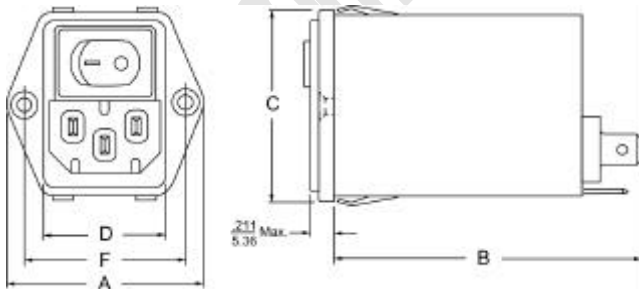


Mounting holes: $\frac{13}{3.3}$ Dia. (2) with .23 Dia. x 90° Counter sunk

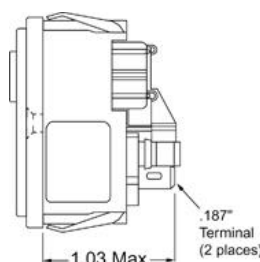
CE, CBE†



CFE, CHE



†CBS, CBE Pre-wired Terminals (Side View)



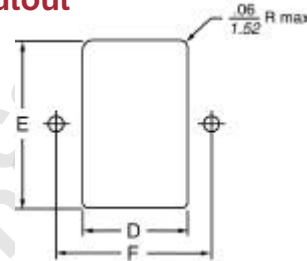
Case Dimensions

Metric shown in italics.

| Part No. | A (max) | B (max) | C (max) | D $\pm .006$ $\pm .152$ | E $\pm .006$ $\pm .152$ | F $\pm .006$ $\pm .152$ |
|----------|---------------|---------------|---------------|----------------------------|----------------------------|----------------------------|
| CS, CBS | 1.23 31.24 | .97 24.64 | 1.62 41.17 | 1.06 26.92 | 1.540* 39.12* | |
| CE, CBE | 1.74 44.2 | .97 24.64 | 1.62 41.17 | 1.06 26.92 | 1.540* 39.12* | 1.417 36.0 |
| CFS, CHS | 1.23 31.24 | 2.53 64.26 | 1.62 41.17 | 1.12 28.5 | 1.540* 39.12* | |
| CFE, CHE | 1.74 44.2 | 2.53 64.26 | 1.62 41.17 | 1.12 28.5 | 1.540* 39.12* | 1.417 36.0 |

* with K extender (CA430) add to height $\frac{13}{3.3}$

Panel Cutout



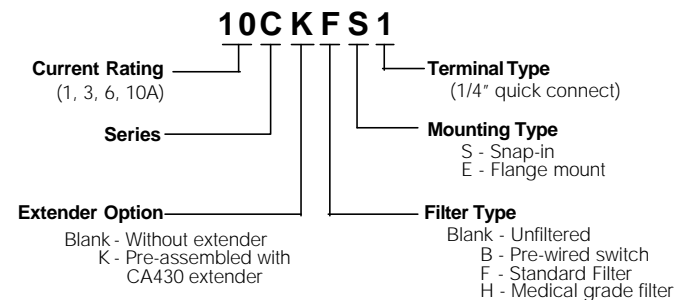
Panel Cutout for thickness of .031-.098 (.8-2.5).
Not recommended for plastic panels.

For snap-in applications, the D sides of the cutout must have a .02(.508) radius on the installation side.

Snap-in models allow front mounting only.

Ordering Information

Consult your local Corcom sales representative for pricing.



Available Part Numbers

| | | | |
|---------|---------|---------|---------|
| 10CS1 | 10CE1 | 1CHS1 | 1CHE1 |
| 10CKS1 | 10CKE1 | 1CKHS1 | 1CKHE1 |
| 1CFS1 | 1CFE1 | 3CHS1 | 3CHE1 |
| 1CKFS1 | 1CKFE1 | 3CKHS1 | 3CKHE1 |
| 3CFS1 | 3CFE1 | 6CHS1 | 6CHE1 |
| 3CKFS1 | 3CKFE1 | 6CKHS1 | 6CKHE1 |
| 6CFS1 | 6CFE1 | 10CHS1 | 10CHE1 |
| 6CKFS1 | 6CKFE1 | 10CKHS1 | 10CKHE1 |
| 10CFS1 | 10CFE1 | | |
| 10CKFS1 | 10CKFE1 | | |
| 10CBS1 | 10CBE1 | | |
| 10CKBS1 | 10CKBE1 | | |

CORCOM World Headquarters

844 E. Rockland Road
Libertyville, IL 60048
847.680.7400
www.cor.com