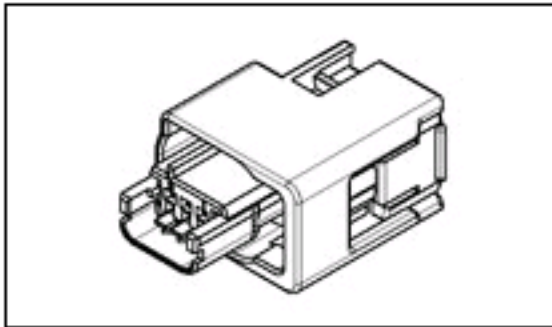


1438454-1 Product Details

[Share](#) | [Print](#) | [Email](#)


1438454-1

TE Internal Number: 1438454-1

Active

[View 3D PDF](#)

0.64 mm Connector Systems

[Always ELV Compliant \(Statement of Compliance\)](#)

Product Highlights:

- Housing
- AMP 0.64 mm Series
- Housing Type = Connector
- Female
- 3 Positions

[View all Features](#)

Quick Links

- ▶ [Check Pricing & Availability](#)
- ▶ [Search for Tooling](#)
- ▶ [Product Feature Selector](#)
- ▶ [Contact Us About This Product](#)

[Add to My Part List](#) | [Request Sample](#) | [Find Similar Products](#) | [Buy Product](#)

Documentation & Additional Information

<p>Product Drawings:</p> <ul style="list-style-type: none"> • CONNECTOR ASSEMBLY, FEMALE, 3 POSITION SEALED, 0.64mm (PDF, English) <p>Catalog Pages/Data Sheets:</p> <ul style="list-style-type: none"> • None Available <p>Product Specifications:</p> <ul style="list-style-type: none"> • None Available <p>Application Specifications:</p> <ul style="list-style-type: none"> • None Available <p>Instruction Sheets:</p> <ul style="list-style-type: none"> • None Available <p>CAD Files: (CAD Format & Compression Information)</p> <ul style="list-style-type: none"> • 2D Drawing (DXF, Version A3) • 3D Model (IGES, Version A3) • 3D Model (STEP, Version A3) 	<p>Related Products:</p> <ul style="list-style-type: none"> • Tooling
--	---

[List all Documents](#)

Product Features (Please use the Product Drawing for all design activity)

<p>Product Type Features:</p> <ul style="list-style-type: none"> • Product Type = Housing • Series = AMP 0.64 mm • Gender = Female • Sealed = Yes <p>Body Features:</p> <ul style="list-style-type: none"> • Number of Positions = 3 • Number of Rows = 1 • Hybrid = No <p>Housing Features:</p> <ul style="list-style-type: none"> • Housing Type = Connector • Housing Material = Nylon • Housing Color = Black 	<p>Configuration Features:</p> <ul style="list-style-type: none"> • Keying Arrangement = A <p>Industry Standards:</p> <ul style="list-style-type: none"> • RoHS/ELV Compliance = ELV compliant • Lead Free Solder Processes = Not reviewed for lead free solder process • RoHS/ELV Compliance History = Always was ELV compliant <p>Other:</p> <ul style="list-style-type: none"> • Brand = Tyco Electronics • Comment = Supplied preassembled with CPA (Central Positioning Assurance).
--	---

Corporate Information

- [Who We Are](#)
- [Investors](#)
- [News Room](#)
- [Supplier Portal](#)
- [Careers](#)

Quick Links

- [Check Distributor Inventory](#)
- [Cross Reference](#)
- [Find Documents & Drawings](#)
- [Product Compliance Support Center](#)
- [Site Map](#)

Customer Support

- [Email or Chat With Us](#)
- [Find a Phone Number](#)
- [Search Knowledge Base](#)
- [Manage your Account](#)

Keep Me Informed

Receive TE News, Events & Technology Updates

