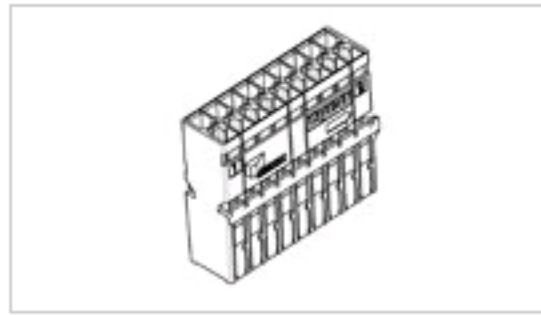




1326133-1 Product Details

[Share](#) | [Print](#) | [Email](#)


0.64 mm Connector Systems

RECEPTACLE HOUSING, 18 POSITIO

1326133-1

TE Internal Number: 1326133-1

Active
 [View 3D PDF](#)

Product Highlights [View All](#)

- Product Series = AMP 0.64 mm
- Wire-to-Wire
- Applies To Wire/Cable
- Connector
- Housing

[Pricing & Availability](#)

[Request Sample](#)

[Add to My Part List](#)

[Buy Product through Distributor](#)

Feedback

[Documents](#) | [Features](#) | [Compliance](#)

Please Note:
Use the Product Drawing for all design activity

Product Type Features	
Product Series	AMP 0.64 mm
Product Type	Connector
Connector Type	Housing
Sealed	No
Wire/Cable Type	Discrete Wire
Mechanical Attachment	
Panel Mount Retention	Without
Mating Retention Type	Latch(ing)
Electrical Characteristics	
Operating Voltage Reference	DC
Termination Features	
Termination Method to Wire/Cable	Crimp
Body Features	
Wire Type	Solid, Stranded
Mating Retention	With
Contact Features	
Contact Type	Socket
Multiple Contact Types	Without
Contact Series	0.64
Housing Features	
Connector Style	Receptacle
Housing Type	Carrier
Housing Material	Nylon - GF
Housing Color	Black
Centerline (mm [in])	2.54 [0.100]
Mating Alignment	With
Mating Alignment Type	Polarization

Configuration Features	
Number of Positions	18
Number of Rows	2
Strain Relief	Without
Industry Standards	
RoHS/ELV Compliance	RoHS compliant, ELV compliant
Lead Free Solder Processes	Not reviewed for lead free solder process
RoHS/ELV Compliance History	Always was RoHS compliant
UL Flammability Rating	UL 94-HB
Environmental	
Operating Temperature (°C [°F])	-40 - +125 [-40 - +257]
Conditions for Usage	
Applies To	Wire/Cable
For Use With	Lever Assist Connector (LAC) Shield
Operation/Application	
Application Use	Wire-to-Wire
Contact Transmits (Typical Application)	Signal
Packaging Features	
Packaging Method	Package
Packaging Quantity	50
Other	
Brand	TE Connectivity
Comment	Applied Contacts 638551, 1326028; Tested to 20mV @ 100mA

Related Products

Not quite the product you're looking for?
[Find Similar Products](#)

[View Part in Product Feature Selector](#)

[Check for Tooling](#)

Corporate Information

- [About TE](#)
- [Investors](#)
- [News Room](#)
- [Supplier Portal](#)
- [Careers](#)
- [Terms & Conditions](#)
- [Privacy Policy](#)
- [Global Accessibility Statement](#)

Quick Links

- [Distributor Inventory](#)
- [Product Cross Reference](#)
- [Documents & Drawings](#)
- [Product Compliance Support Center](#)
- [Site Map](#)

Customer Support

- [Email or Chat With Us](#)
- [Find a Phone Number](#)
- [Knowledge Base](#)
- [Manage Your Account](#)

Keep Me Informed

