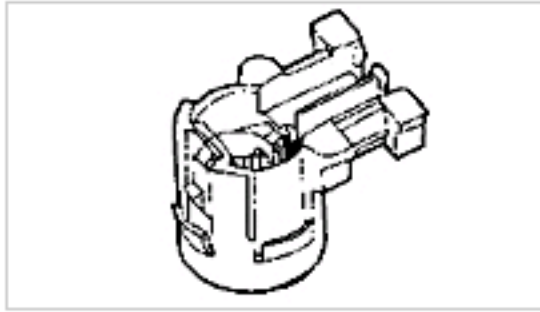



# 353744-7 Product Details

[Share](#) | [Print](#) | [Email](#)


## Air Bag (SQUIB), Seat Belt and Seat Sensor Connectors

SQUIB AIRBAG/HSG-MAIN  
**353744-7** (0-0353744-7)   
TE Internal Number: 353744-7

 **Active**

 [View 3D PDF](#)

**Product Highlights** [View All](#)


- Housing
- Application Type = Air Bag
- Housing Color = Yellow
- Slim Type = No
- RoHS compliant, ELV compliant

- [Pricing & Availability](#) 
- [Request Sample](#) 
- [Add to My Part List](#) 
- [Buy Product through Distributor](#) 

Feedback

[Documents](#) | [Features](#) | [Compliance](#)

**Please Note:**  
Use the Product Drawing for all design activity

Product Type Features	
Product Type 	Housing
Serviceable	No
Size	11 MM

Electrical Characteristics	
Closed Position (°)	90

Housing Features	
Housing Color	Yellow
Housing Material	PBT GF

Configuration Features	
Slim Type	No
Number of Positions	2

Industry Standards	
RoHS/ELV Compliance 	RoHS compliant, ELV compliant
Lead Free Solder Processes 	Not relevant for lead free process
RoHS/ELV Compliance History	Always was RoHS compliant

Operation/Application	
Application Type 	Air Bag

Other	
Brand	AMP

**Related Products**

Not quite the product you're looking for?  
[Find Similar Products](#)

[View Part in Product Feature Selector](#)

[View Contacts \(1\)](#)

[Check for Tooling](#)

- Corporate Information**
- [About TE](#)
  - [Investors](#)
  - [News Room](#)
  - [Supplier Portal](#)
  - [Careers](#)
  - [Terms & Conditions](#)
  - [Privacy Policy](#)
  - [Global Accessibility Statement](#)

- Quick Links**
- [Distributor Inventory](#)
  - [Product Cross Reference](#)
  - [Documents & Drawings](#)
  - [Product Compliance Support Center](#)
  - [Site Map](#)

- Customer Support**
- [Email or Chat With Us](#)
  - [Find a Phone Number](#)
  - [Knowledge Base](#)
  - [Manage Your Account](#)

**Keep Me Informed**