

1757836-5 ✓ ACTIVE

AMPLIMITE

TE Internal #: 1757836-5

50 Position D-Shaped Connector, Receptacle, Cable-to-Board, Board Mount, 5 Shell Size, 2.77 mm [.109 in] Centerline, Printed Circuit Board, Signal

[View on TE.com >](#)



Connectors > D-Shaped Connectors



Number of Positions: 50

Connector & Housing Type: Receptacle

Connector System: Cable-to-Board

Connector Mounting Type: Board Mount

Connector Shell Size: 5

Features

Product Type Features

Sealable	No
Connector & Housing Type	Receptacle
Connector System	Cable-to-Board
Connector Shell Size	5
Connector & Contact Terminates To	Printed Circuit Board

Configuration Features

Power/Signal/Coax Combination	No
Number of Positions	50
PCB Mount Orientation	Right Angle

Body Features

Front Shell Material	Steel
D-Sub Connector Insert Arrangement	MS18277-1
Rear Shell Plating Material	Zinc
Rear Shell Material	Steel
Front Shell Plating Material	Zinc

Contact Features

Contact Mating Area Plating Material	Gold (Au)
Contact Base Material	Beryllium Copper, Brass



Contact Size	Size 20
Contact Type	Socket
Contact Current Rating (Max)	5 A
Contact Options	Installed

Termination Features

Termination Method to PCB	Through Hole - Solder
Termination Post & Tail Diameter	.76 mm[.03 in]
Termination Post & Tail Length	3.18 mm[.125 in]

Mechanical Attachment

Mounting Hole Diameter	3.05 mm[.12 in]
Mating Alignment	Without
Connector Mounting Type	Board Mount

Housing Features

Centerline (Pitch)	2.77 mm[.109 in]
--------------------	------------------

Usage Conditions

Operating Temperature Range	-55 – 125 °C[-67 – 257 °F]
-----------------------------	----------------------------

Operation/Application

Circuit Application	Signal
---------------------	--------

Packaging Features

Packaging Method	Package
------------------	---------

Product Compliance

[For compliance documentation, visit the product page on TE.com>](#)

EU RoHS Directive 2011/65/EU	Compliant with Exemptions
EU ELV Directive 2000/53/EC	Compliant with Exemptions
China RoHS 2 Directive MIIT Order No 32, 2016	Restricted Materials Above Threshold
EU REACH Regulation (EC) No. 1907/2006	Current ECHA Candidate List: JAN 2025 (247) Candidate List Declared Against: JAN 2024 (240) SVHC > Threshold: Pb (4% in Contact/Component) Article Safe Usage Statements: Do not eat, drink or smoke when using this product. Wash thoroughly after handling. Recycle if possible and dispose of the article by following all applicable governmental regulations relevant to your geographic location.
Halogen Content	Not Yet Reviewed for halogen content

Solder Process Capability

Wave solder capable to 265°C

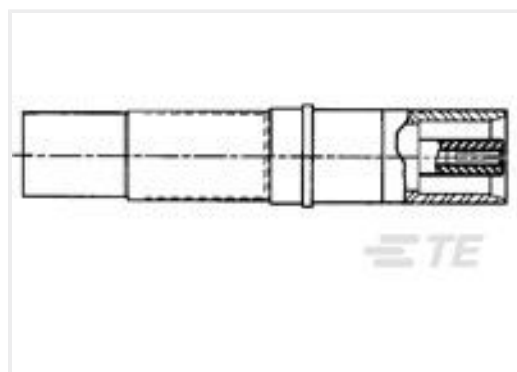
Product Compliance Disclaimer

This information is provided based on reasonable inquiry of our suppliers and represents our current actual knowledge based on the information they provided. This information is subject to change. The part numbers that TE has identified as EU RoHS compliant have a maximum concentration of 0.1% by weight in homogenous materials for lead, hexavalent chromium, mercury, PBB, PBDE, DBP, BBP, DEHP, DIBP, and 0.01% for cadmium, or qualify for an exemption to these limits as defined in the Annexes of Directive 2011/65/EU (RoHS2). Finished electrical and electronic equipment products will be CE marked as required by Directive 2011/65/EU. Components may not be CE marked. Additionally, the part numbers that TE has identified as EU ELV compliant have a maximum concentration of 0.1% by weight in homogenous materials for lead, hexavalent chromium, and mercury, and 0.01% for cadmium, or qualify for an exemption to these limits as defined in the Annexes of Directive 2000/53/EC (ELV). Regarding the REACH Regulation, the information TE provides on SVHC in articles for this part number is based on the latest European Chemicals Agency (ECHA) 'Guidance on requirements for substances in articles' posted at this URL: <https://echa.europa.eu/guidance-documents/guidance-on-reach>

Customers Also Bought



TE Part #ZPF000000000123244
732-8256-16



TE Part #298656-000
DK-602-0157-1



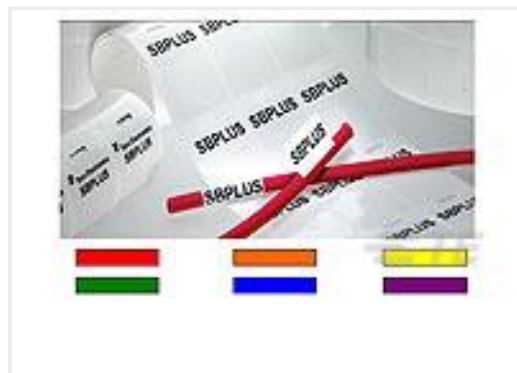
TE Part #YDTS26F15-35PNV001
PLUG ASSY



TE Part #CAT-DMC-22CS
Rectangular Connector: PCB inserts,
22 Contact Size



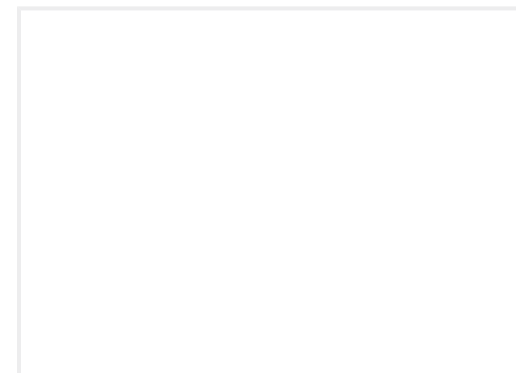
TE Part #024070-E
STVBUG E 160 CSI 172 9999 * J 4
24070 FE



TE Part #CN9936-000
SBP200375WE2.5



TE Part #1825420-1
TRD13D10WL04 rocker switch



TE Part #YCTJ120E03DC015000
MODULE ASSY



TE Part #1616035-1
D56B=RELAY

Documents

Product Drawings

AMPLIMITE,R/A RCPT ASY,109,ZN,5

English



CAD Files

3D PDF

3D

Customer View Model

[ENG_CVM_CVM_1757836-5_D.2d_dxf.zip](#)

English

Customer View Model

[ENG_CVM_CVM_1757836-5_D.3d_igs.zip](#)

English

Customer View Model

[ENG_CVM_CVM_1757836-5_D.3d_stp.zip](#)

English

By downloading the CAD file I accept and agree to the [Terms and Conditions](#) of use.