

967541-1 ✓ ACTIVE

AMP | 1.5/2.8 Connector System, Sensor Flat Contact System

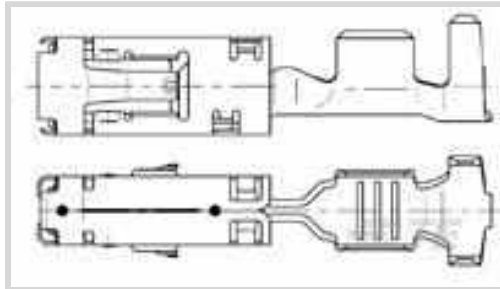
TE Internal #: 967541-1

Sensor Flat Contact System, Automotive, Truck, Bus, & Off-Road
Terminals, Receptacle, Tab Width 2.8 mm [.11 in], Tab Thickness .8
mm [.031 in]

[View on TE.com >](#)



Connectors > Automotive, Truck, Bus, & Off-Road Connectors > Automotive, Truck, Bus, & Off-Road Terminals > AMP MCP, SFC, RECEPTACLE



Terminal & Splice Type: **Receptacle**

Mating Tab Width: **2.8 mm [.11 in]**

Mating Tab Thickness: **.8 mm [.031 in]**

Terminal Transmits: **0 – 24 A (Low Power)**

Wire Size: **.35 mm²**

[All AMP MCP, SFC, RECEPTACLE \(23\)](#)

Features

Product Type Features

Receptacle Style	180°
Sealable	No
Primary Locking Feature	Clean Body
Wire Type	Copper

Body Features

Seal Type	Family Seal
-----------	-------------

Contact Features

Typical Current Rating	11 A
Crimp Type	F-Crimp
Terminal & Splice Type	Receptacle
Mating Tab Width	2.8 mm [.11 in]
Mating Tab Thickness	.8 mm [.031 in]
Interface Plating	Tin (Sn)
Contact Termination Area Plating Material	Tin (Sn)

Termination Features

Termination Method	Crimp
--------------------	-------



Dimensions

Wire Size	.35 mm ²
Wire Size Search	.35 mm ²
Wire Insulation Diameter	1.2 – 1.4 mm [.047 – .055 in]

Usage Conditions

Operating Temperature Range	-40 – 130 °C [-40 – 266 °F]
-----------------------------	-----------------------------

Industry Standards

Agency/Standard	LV 214
-----------------	--------

Packaging Features

Packaging Method	Reel
Packaging Quantity	3500

Other

Terminal Transmits	0 – 24 A (Low Power)
--------------------	----------------------

Product Compliance

[For compliance documentation, visit the product page on TE.com>](#)

EU RoHS Directive 2011/65/EU	Compliant
EU ELV Directive 2000/53/EC	Compliant
China RoHS 2 Directive MIIT Order No 32, 2016	No Restricted Materials Above Threshold
EU REACH Regulation (EC) No. 1907/2006	Current ECHA Candidate List: JAN 2020 (205) Candidate List Declared Against: JUL 2017 (174) Does not contain REACH SVHC
EU REACH Regulation (EC) No. 1907/2006	Current ECHA Candidate List: JAN 2020 (205) Candidate List Declared Against: JUL 2017 (174)
Halogen Content	Low Halogen - Br, Cl, F, I < 900 ppm per homogenous material. Also BFR/CFR/PVC Free
Solder Process Capability	Not applicable for solder process capability

Product Compliance Disclaimer

This information is provided based on reasonable inquiry of our suppliers and represents our current actual knowledge based on the information they provided. This information is subject to change. The part numbers that TE has identified as EU RoHS compliant have a maximum concentration of 0.1% by weight in homogenous materials for lead, hexavalent chromium, mercury, PBB, PBDE, DBP, BBP, DEHP, DIBP, and 0.01% for cadmium, or qualify for an exemption to these

limits as defined in the Annexes of Directive 2011/65/EU (RoHS2). Finished electrical and electronic equipment products will be CE marked as required by Directive 2011/65/EU. Components may not be CE marked. Additionally, the part numbers that TE has identified as EU ELV compliant have a maximum concentration of 0.1% by weight in homogenous materials for lead, hexavalent chromium, and mercury, and 0.01% for cadmium, or qualify for an exemption to these limits as defined in the Annexes of Directive 2000/53/EC (ELV). Regarding the REACH Regulations, TE's information on SVHC in articles for this part number is still based on the European Chemical Agency (ECHA) 'Guidance on requirements for substances in articles' (Version: 2, April 2011), applying the 0.1% weight on weight concentration threshold at the finished product level. TE is aware of the European Court of Justice ruling of September 10th, 2015 also known as O5A (Once An Article Always An Article) stating that, in case of 'complex object', the threshold for a SVHC must be applied to both the product as a whole and simultaneously to each of the articles forming part of its composition. TE has evaluated this ruling based on the new ECHA "Guidance on requirements for substances in articles" (June 2017, version 4.0) and will be updating its statements accordingly.

Compatible Parts



TE Model / Part # 2305570-1
TERMINAL CUTTER, SIDE FEED



TE Model / Part # 1579007-1
AUSRUECKWERKZEUG



TE Model / Part # 2-2151559-2
OCEAN_2.0_APPLICATOR-S-062F155O



TE Model / Part # 2151559-2
OCEAN_2.0_APPLICATOR-S-062F155O



TE Model / Part # 4-1579007-3
EXTRACTION TOOL KIT



KIT
REPRESENTATION ONLY

TE Model / Part # 7-2151559-7
OCEAN_2.0_SPARE_PART_KIT-062F155O



TE Model / Part # 282956-3
SPLASH-PROOF FEM.CONN.ASSY



TE Model / Part # 282956-7
SPLASH-PROOF FEM CONN ASSY



TE Model / Part # 828904-1
SINGLE WIRE SEAL FOR J.P.T.CON



TE Model / Part # 1480971-1
ASSY 6 POSN. 2.8MM REC.



TE Model / Part # 1599099-1
HSG ASSY 2 POSN,2.8mm REC




TE Model / Part # 1480968-1
ASSY 4 POSN. 2,8MM REC.



TE Model / Part # 828904-2
SINGLE WIRE SEAL FOR J.P.T.CON



TE Model / Part # 2-2151559-1
OCEAN_2.0_APPLICATOR-S-062F155O



TE Model / Part # 2151559-1
OCEAN_2.0_APPLICATOR-S-062F155O



TE Model / Part # 828904-3
SINGLE WIRE SEAL FOR J.P.T.CON (5MM HOLE)



TE Model / Part # 968925-1
2,8SENS BU-GH EDS3P



TE Model / Part # CAT-AM705-CH8172
AMP MCP, SEALED CONNECTOR HOUSING

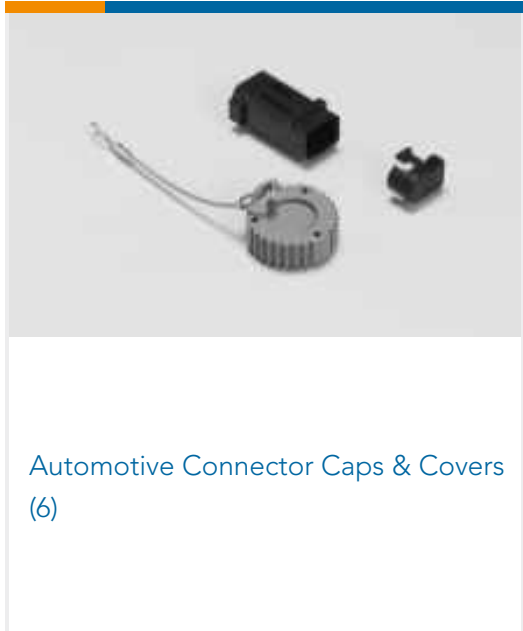


TE Model / Part # 282956-2
SPLASH-PROOF FEM CONN ASSY

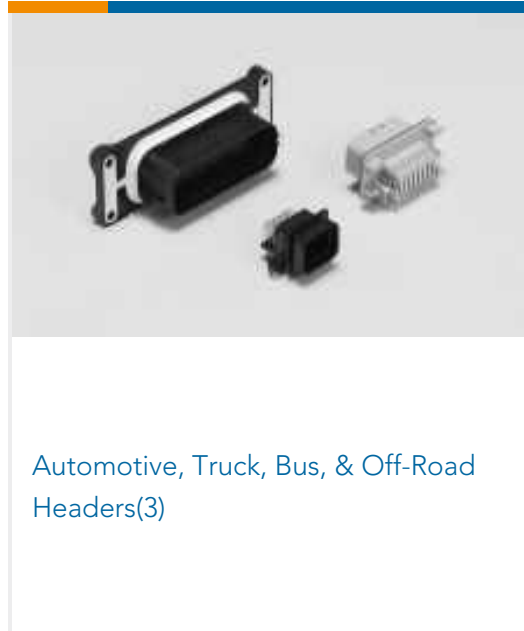


TE Model / Part # 282956-6
SPLASH-PROOF FEM CONN ASSY

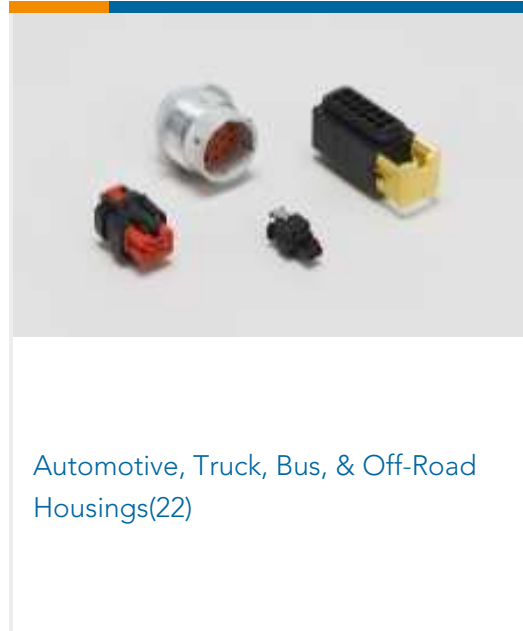
Also in the Series | 1.5/2.8 Connector System



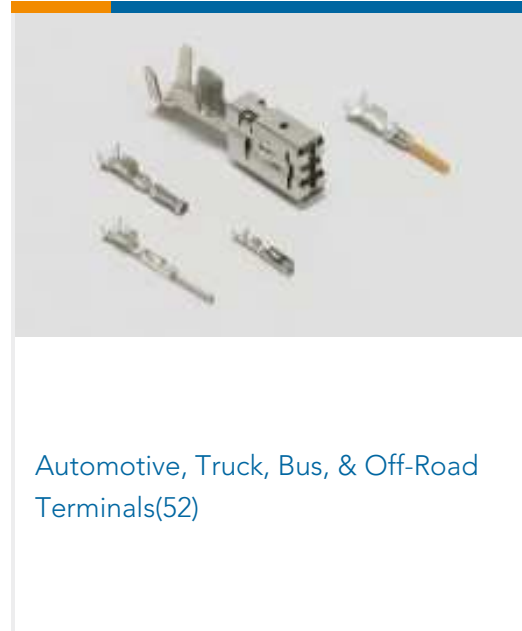
Automotive Connector Caps & Covers (6)



Automotive, Truck, Bus, & Off-Road Headers(3)



Automotive, Truck, Bus, & Off-Road Housings(22)

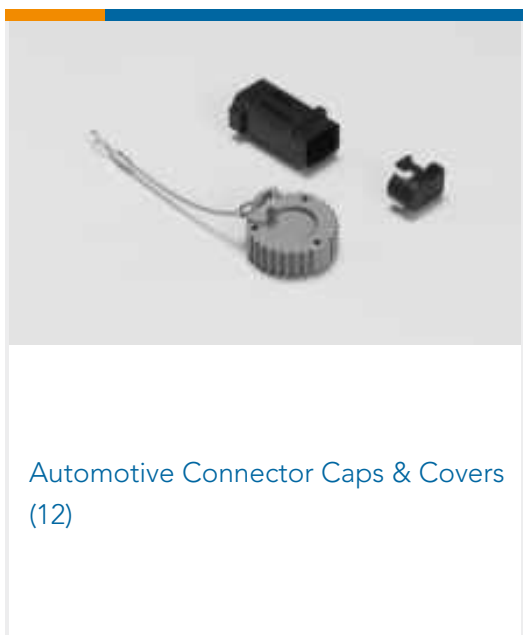


Automotive, Truck, Bus, & Off-Road Terminals(52)

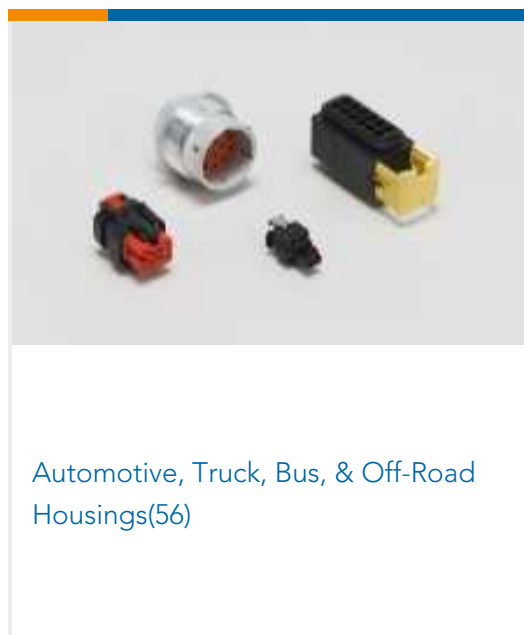


Other Automotive Connector Accessories(1)

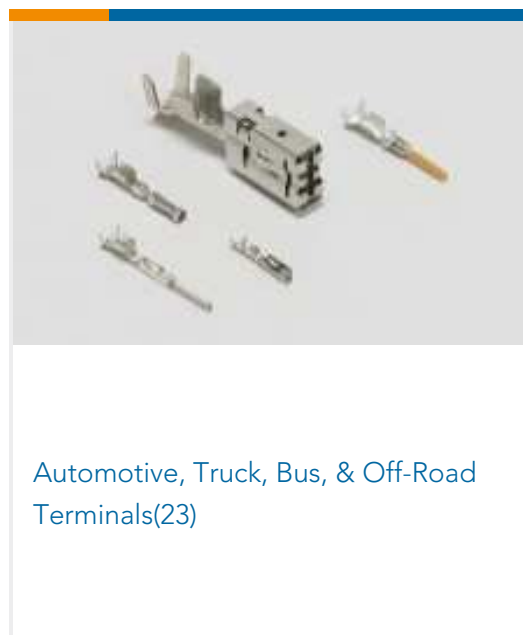
Also in the Series | Sensor Flat Contact System



Automotive Connector Caps & Covers (12)

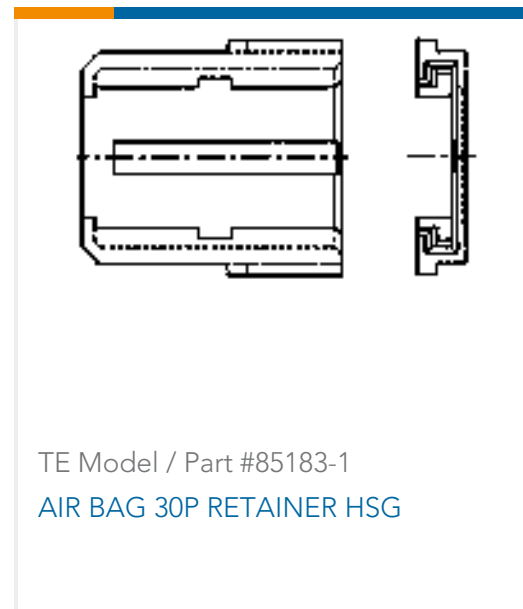
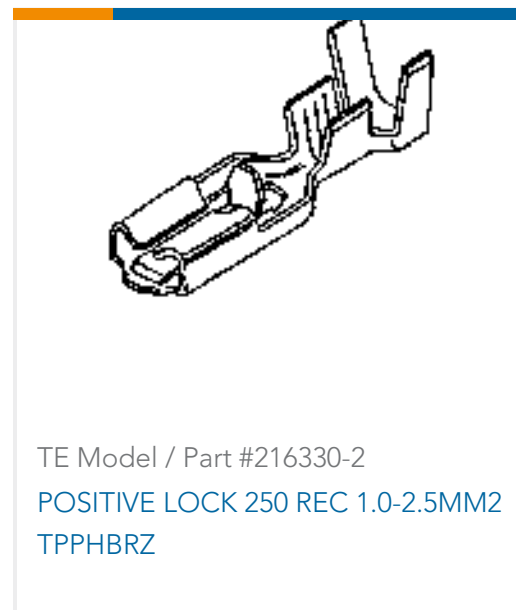


Automotive, Truck, Bus, & Off-Road Housings(56)



Automotive, Truck, Bus, & Off-Road Terminals(23)

Customers Also Bought



Documents

Product Drawings

2.8MM SENS FLA-KONT

English

2.8MM SENS FLA-KONT

English

CAD Files

Customer View Model

[ENG_CVM_967541-1_C5.3d_igs.zip](#)

English

Customer View Model

[ENG_CVM_967541-1_C5.3d_stp.zip](#)

English

Customer View Model

[ENG_CVM_967541-1_C5.2d_dxf.zip](#)

English

3D PDF

English

By downloading the CAD file I accept and agree to the [Terms and Conditions](#) of use.

Product Specifications

Application Specification

German

Application Specification

English

Application Specification

English

