

967116-2 ✓ ACTIVE

AMP | AMP MCP Connector System

TE Internal #: 967116-2

Vertical, Wire-to-Board, 18 Position, 3 Rows, 5mm [.197in]

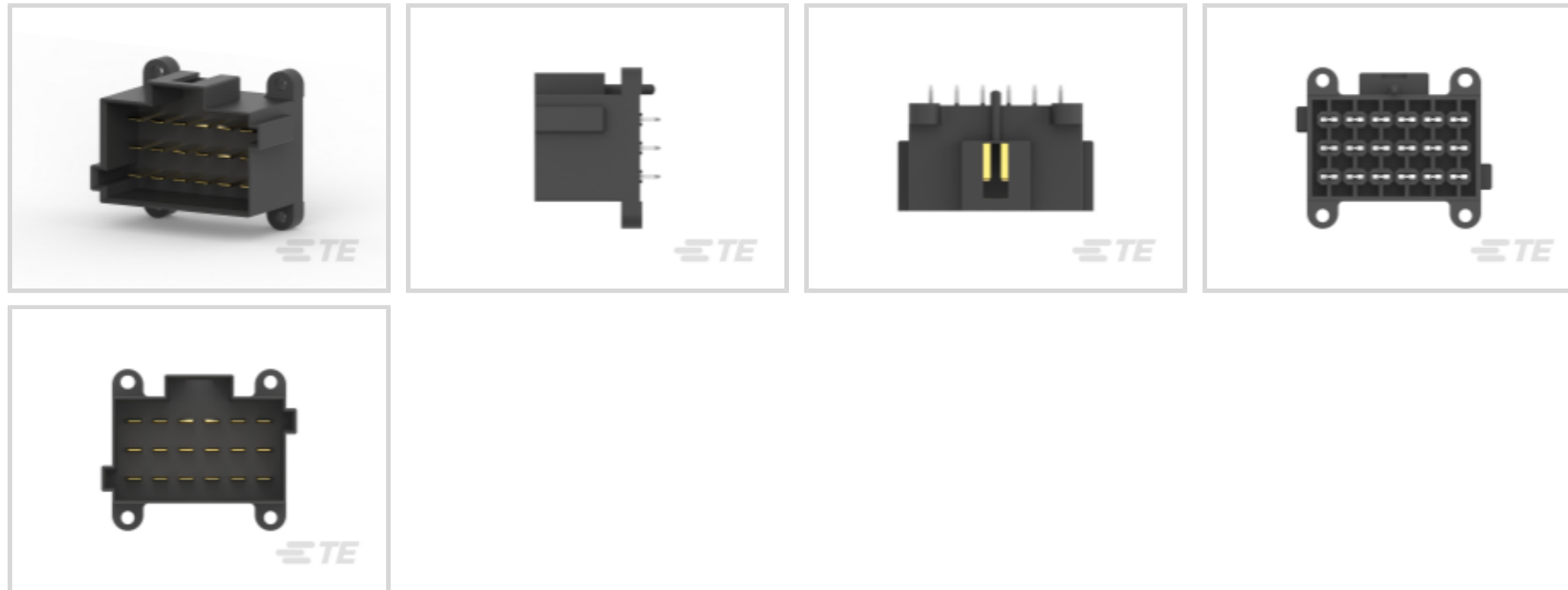
Centerline, Silver (Ag), Printed Circuit Board, Power, Black, AMP

MCP Connector System

[View on TE.com >](#)



Automotive Parts > Automotive Connectors > Automotive Headers > AMP MCP Unsealed Headers



PCB Mount Orientation: **Vertical**

Termination Method to PCB: **Through Hole - Solder**

Sealable: **No**

Centerline (Pitch): **5 mm [.197 in]**

Connector System: **Wire-to-Board**

[All AMP MCP Unsealed Headers \(17\)](#)

Features

Product Type Features

Connector Product Type	Connector Assembly
Mixed & Hybrid Header	No
Header Type	Fully Shrouded
Connector Shape	Rectangular
Sealable	No
Connector System	Wire-to-Board
Connector & Contact Terminates To	Printed Circuit Board

Configuration Features

Number of Signal Positions	18
Number of Sections	1
PCB Mount Orientation	Vertical
Number of Positions	18
Number of Rows	3



Body Features

Primary Product Color	Black
-----------------------	-------

Contact Features

Mating Tab Width	3 mm[.118 in]
Mating Tab Thickness	.8 mm[.031 in]
Contact Type	Tab
Contact Mating Area Plating Material	Silver (Ag)

Termination Features

Termination Method to PCB	Through Hole - Solder
---------------------------	-----------------------

Mechanical Attachment

Panel Mount Feature	Without
Mating Retention Type	Locking Interface
PCB Mount Retention	With
Mounting Holes	With
PCB Mount Retention Type	Mounting Hole
Mating Alignment	With
PCB Mount Alignment	With
Connector Mounting Type	Board Mount

Housing Features

Centerline (Pitch)	5 mm[.197 in]
--------------------	---------------

Dimensions

Connector Width	31 mm[1.22 in]
Connector Length	37.7 mm[1.48 in]
Profile Height from PCB	20.7 mm[.815 in]

Usage Conditions

Operating Temperature (Max)	120 °C[248 °F]
Operating Temperature Range	-40 – 120 °C[-40 – 248 °F]

Operation/Application

Shielded	No
Circuit Application	Power

Industry Standards



IP Rating	IP30
-----------	------

Packaging Features

Packaging Quantity	450
Packaging Method	Carton

Product Compliance

[For compliance documentation, visit the product page on TE.com>](#)

EU RoHS Directive 2011/65/EU	Compliant
EU ELV Directive 2000/53/EC	Compliant
China RoHS 2 Directive MIIT Order No 32, 2016	No Restricted Materials Above Threshold
EU REACH Regulation (EC) No. 1907/2006	Current ECHA Candidate List: JAN 2025 (247) Candidate List Declared Against: JAN 2025 (247) Does not contain REACH SVHC
Halogen Content	Low Halogen - Br, Cl, F, I < 900 ppm per homogenous material. Also BFR/CFR/PVC Free
Solder Process Capability	Not applicable for solder process capability

Product Compliance Disclaimer

This information is provided based on reasonable inquiry of our suppliers and represents our current actual knowledge based on the information they provided. This information is subject to change. The part numbers that TE has identified as EU RoHS compliant have a maximum concentration of 0.1% by weight in homogenous materials for lead, hexavalent chromium, mercury, PBB, PBDE, DBP, BBP, DEHP, DIBP, and 0.01% for cadmium, or qualify for an exemption to these limits as defined in the Annexes of Directive 2011/65/EU (RoHS2). Finished electrical and electronic equipment products will be CE marked as required by Directive 2011/65/EU. Components may not be CE marked. Additionally, the part numbers that TE has identified as EU ELV compliant have a maximum concentration of 0.1% by weight in homogenous materials for lead, hexavalent chromium, and mercury, and 0.01% for cadmium, or qualify for an exemption to these limits as defined in the Annexes of Directive 2000/53/EC (ELV). Regarding the REACH Regulation, the information TE provides on SVHC in articles for this part number is based on the latest European Chemicals Agency (ECHA) 'Guidance on requirements for substances in articles' posted at this URL: <https://echa.europa.eu/guidance-documents/guidance-on-reach>

Compatible Parts

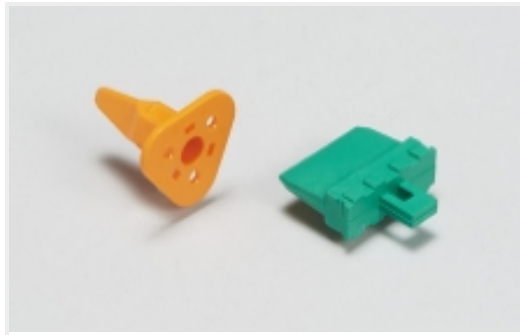


TE Part # 1-967624-2
JUN-POW-TIM GEH 18P

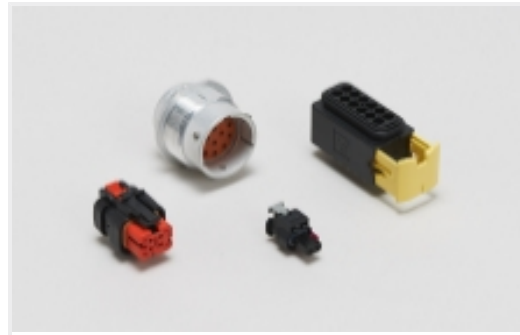
TE Part # 1-965954-4
FLA-STE-KONTAKT 3,0

TE Part # 965390-1
TAB HEADER HOUSING 18POS

Also in the Series | AMP MCP Connector System



Automotive Connector Locks & Position Assurance(4)



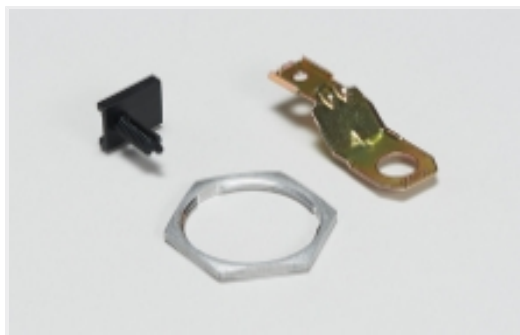
Automotive Housings(257)



Automotive Seals & Cavity Plugs(6)



Automotive Signal & Power Connector Housings(103)



Other Automotive Connector Accessories(3)

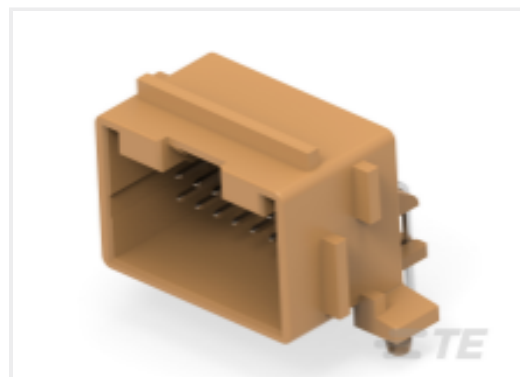
Customers Also Bought



TE Part #160300
PLASTI-GRIP 12-10 RING M10



TE Part #641971-1
09P UMNL PIN HDR ASSY V2 NATL



TE Part #966870-2
16POS,TAB0.63X0.63,HDR ASSY,90 DEG,COD A



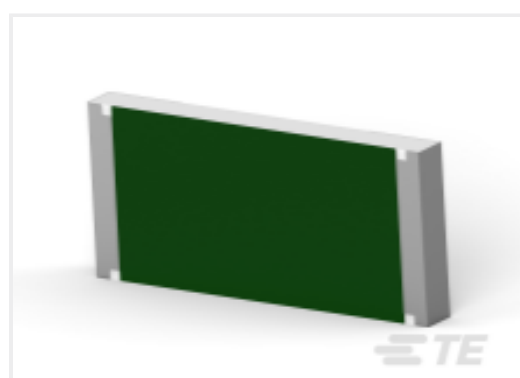
TE Part #8-1415898-6
RTSETA12



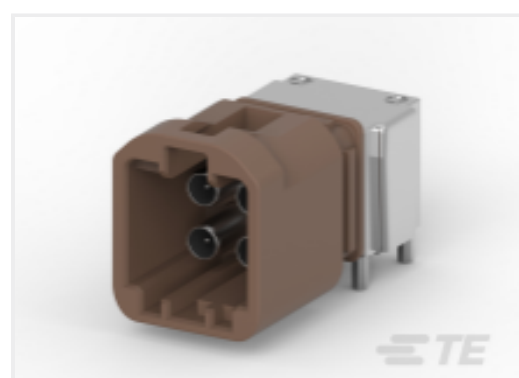
TE Part #2-1564337-1
16POS, MIXED,REC HSG,ASSY



TE Part #3-2176230-2
3522 330R 5% 3W



TE Part #2176403-9
3550 2R2 1%



TE Part #2304168-6
4P MATE-AX, HDR ASSY,90 DEG,COD F



TE Part #2339032-1
2POS,TAB1.2X0.6,HDR ASSY,90DEG, SLDR



TE Part #7-1393788-1
V23079E1208B301



Documents

Product Drawings

MESSERLEISTE 18P

English

CAD Files

Customer View Model

[ENG_CVM_CVM_967116-2_D.2d_dxf.zip](#)

English

3D PDF

3D

Customer View Model

[ENG_CVM_CVM_967116-2_D.3d_igs.zip](#)

English

Customer View Model

[ENG_CVM_CVM_967116-2_D.3d_stp.zip](#)

English

By downloading the CAD file I accept and agree to the [Terms and Conditions](#) of use.

Product Specifications

Product Specification

German

[INTERFACE DR. CONN. 6-21P Aufl.vorschr. f. Anschl. 6-21pol](#)

German