



WIRE END FERRULES

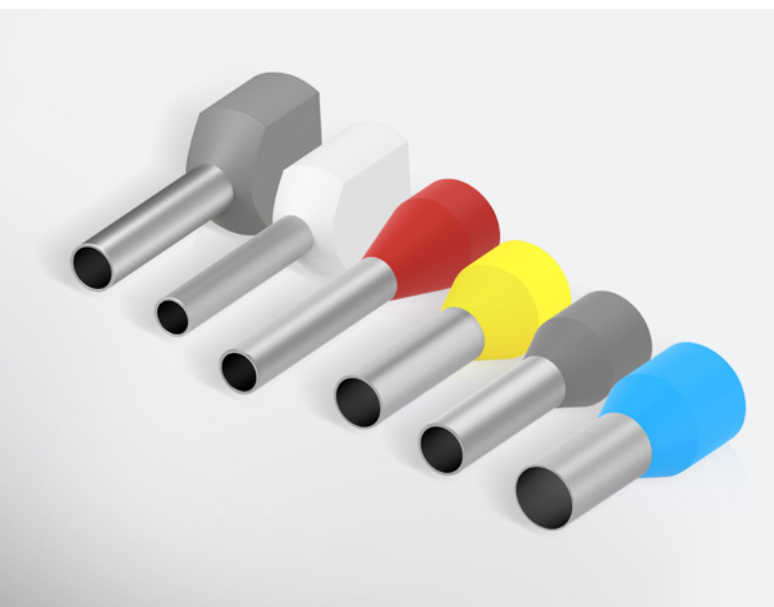
CRIMP TECHNOLOGY

Insulated Single wire: from 0.14 mm² to 50 mm² - 26 to 1 AWG
Insulated Double wire: from 0.50 mm² to 6 mm² - 20 to 6 AWG



WIRE END FERRULES

Ferrules provide an easy, clean and reliable connection of flexible and stranded wires. They are adapted to screw, push-in and spring connections and used worldwide in many industrial or commercial applications where contact precision is key.



PLASTIC SLEEVE COLOR CODING PER INDUSTRY STANDARDS FOR CIRCUIT IDENTIFICATION.

Benefit from TE Connectivity's (TE) track record and leadership using our precision tools for a gas-tight and secured connection.



FEATURES AND BENEFITS

- **Facilitate wire insertion** into terminal clamps of terminal blocks or other control devices.
- **Clean and reliable wire termination** by providing a solid surface at the point of connection.
- **Recommended** for push-in and spring connection technologies.
- **Conductor protection** from breakage due to bending, stress or vibrations.
- **Multiple re-wiring allowed** without damaging the cable performances.
- **Funneled entry** for splice-free cable insertion.
- **Various pin length** to adapt to a wide variety of needs and product depth.
- **High level crimp performance** with TE tooling.
- **Ferrules** with plastic sleeve according to DIN 46228 Part 4.
- **Simple wire size identification** thanks to the large choice of industry standard plastic sleeve color coding.

105°C

Max operating
Temperature

MATERIAL

Insulation: Polypropylene

Terminal Body: E-Copper

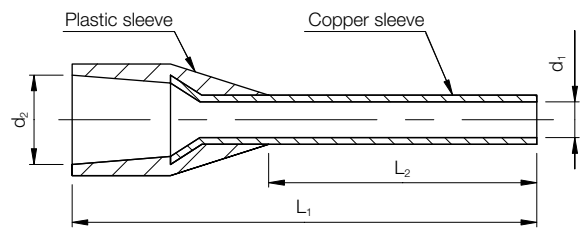
Plating: Tin (minimum coating thickness 3 µm)

Product Application

- Panel Boxes
- Motors
- Switchgear
- Power Supplies
- Instruments/Controls
- Lighting
- Transportation
- Lifting equipment
- HVAC
- Repair, Service & Installation

INSULATED SINGLE WIRE FERRULES

from 0.14 mm² to 50 mm² - 26 to 1 AWG

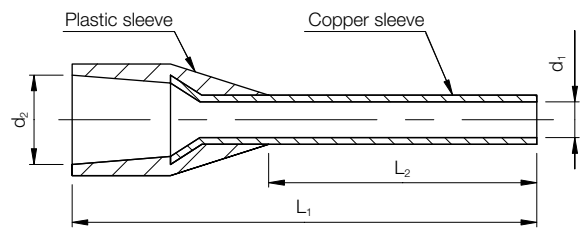


Wire size		Color	L1	L2	d1	d2	Part Number	Package	CSA	Side Entry Hand tool	Front Entry Hand tool		
mm ²	AWG							Quantity					
0.14	26	Grey	10	6	0.70	1.60	966066-5	500	CSA	539660-1	6-1579014-5		
			12	8	0.70	1.60	1-966066-6	500	CSA				
		Brown	10	6	0.70	1.60	966292-1	500					
			12	8	0.70	1.60	966292-2	500					
		0.25	24	Light Blue	10	6	0.75	1.80	966066-1			500	CSA
					12	8	0.75	1.80	966066-2			500	CSA
0.34	22	Turquoise	10	6	0.80	2.00	966066-3	500	CSA				
			12	8	0.80	2.00	966066-4	500	CSA				
0.50	20	Orange	10	6	0.80	2.00	966293-5	1000					
			12	8	0.80	2.00	966293-6	1000					
		White	14	8	1.00	2.60	966066-7	500	CSA				
			14	8	1.00	2.80	1-966300-3 ⁽¹⁾	500					
			16	10	1.00	2.60	1-966066-8	500	CSA				
			12	6	1.00	2.60	966067-1	500	CSA				
0.75	18	White	14	8	1.00	2.60	966067-2	500	CSA				
			16	10	1.00	2.60	966067-3	500	CSA				
		Grey	16	10	1.00	2.60	966293-9	1000					
			12	6	1.20	2.80	1-966066-9	500	CSA				
			14	8	1.20	2.80	1-966300-5 ⁽¹⁾	500					
			14	8	1.20	2.80	966066-9	500	CSA				
1.00	17	Blue	16	10	1.20	2.80	2-966066-0	500	CSA				
			12	6	1.20	2.80	966067-4	500	CSA				
			12	6	1.20	2.80	966288-4	1000					
			14	8	1.20	2.80	966067-5	500	CSA				
			16	10	1.20	2.80	966067-6	500	CSA				
			18	12	1.20	2.80	966067-7	500	CSA				
		Light Blue	12	6	1.20	2.80	1-966293-0	1000					
			14	8	1.20	2.80	1-966293-1	1000					
			16	10	1.20	2.80	1-966292-2	500					
			18	12	1.20	2.80	1-966293-3	1000					
			14	8	1.20	2.80	1-966300-4 ⁽¹⁾	500					
			Red	12	6	1.40	3.00	966067-8	500	CSA			
14	8	1.40		3.00	966067-9	500	CSA						
14	8	1.40		3.00	1-966293-5	1000							
16	10	1.40		3.00	1-966067-0	500	CSA						
16	10	1.40		3.00	1-966288-0	1000							
18	12	1.40		3.00	1-966067-1	500	CSA						
Yellow	18	12		1.40	3.00	1-966288-1	1000						
	18	12		1.40	3.00	1-966293-7	1000						
	12	6		1.40	3.00	2-966066-2	500	CSA					
	14	8		1.40	3.00	1-966300-6 ⁽¹⁾	500						
	14	8		1.40	3.00	1-966066-0	500	CSA					
	16	10		1.40	3.00	2-966066-3	500	CSA					
18	12	1.40	3.00	2-966066-4	500	CSA							

(1) Ferrules are delivered in 10 strips of 50 parts.

INSULATED SINGLE WIRE FERRULES

from 0.14 mm² to 50 mm² - 26 to 1 AWG



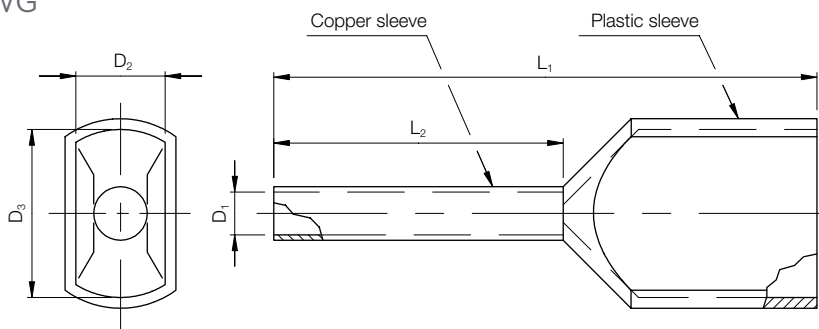
Wire size	Color	L1	L2	d1	d2	Part Number	Package	CSA	Side Entry Hand tool	Front Entry Hand tool				
mm ²	AWG	Quantity												
1.50	Red	16	10	1.70	3.50	1-966066-1	500	CSA	539660-1	6-1579014-5				
		14	8	1.70	3.50	2-966066-5	500	CSA						
		14	8	1.70	3.50	1-966300-7 ⁽¹⁾	500							
		Black	14	8	1.70	3.50	1-966067-2	500			CSA			
			14	8	1.70	3.50	1-966156-4	500						
			14	8	1.70	3.50	1-966293-8	1000						
	16		10	1.70	3.50	1-966067-3	500	CSA						
	16	10	1.70	3.50	1-966288-3	1000								
	18	12	1.70	3.50	1-966288-4	1000								
	18	12	1.70	3.50	1-966067-4	500	CSA							
	24	18	1.70	3.50	1-966288-5	1000								
	24	18	1.70	3.50	1-966067-5	500	CSA							
	24	18	1.70	3.50	2-966293-0	1000								
	2.50	Blue	14	8	2.20	4.20	1-966067-6	500			CSA	539660-1	6-1579014-5	
18			12	2.20	4.20	1-966067-7	500	CSA						
24			18	2.20	4.20	1-966067-8	500	CSA						
24			18	2.20	4.20	1-966288-8	1000							
Grey		14	8	2.20	4.20	1-966300-8 ⁽¹⁾	500							
		14	8	2.20	4.20	2-966292-1	500							
		14	8	2.20	4.20	2-966293-1	1000							
		18	12	2.20	4.20	2-966293-2	1000							
		24	18	2.20	4.20	2-966293-3	1000							
		24	18	2.20	4.20	2-966293-3	1000							
4	Grey	17	10	2.80	4.80	3-966066-0	500	CSA	539660-1	6-1579014-5				
		17	10	2.80	4.80	1-966067-9	500	CSA						
		20	12	2.80	4.80	2-966067-0	500	CSA						
		26	18	2.80	4.80	2-966067-1	100	CSA						
		26	18	2.80	4.80	2-966288-1	1000							
		Orange	17	10	2.80	4.80	2-966292-4	500						
	17		10	2.80	4.80	2-966293-4	1000							
	20		12	2.80	4.80	2-966292-5	500							
	20		12	2.80	4.80	2-966293-5	1000							
	26		18	2.80	4.80	2-966292-6	100							
	26		18	2.80	4.80	2-966293-6	1000							
	6		Black	20	12	3.50	6.30	1-966066-5			100	CSA	539660-1	6-1579014-5
				26	18	3.50	6.30	3-966066-3			100	CSA		
		Green	20	12	3.50	6.30	2-966292-7	100						
26			18	3.50	6.30	2-966292-8	100							
Yellow		20	12	3.50	6.30	2-966067-2	100	CSA						
		26	18	3.50	6.30	2-966067-3	100	CSA						
10		Red	22	12	4.50	7.60	2-966067-4	100	CSA	539660-1	6-1579014-5			
			28	18	4.50	7.60	2-966067-5	100	CSA					
	Brown	22	12	4.50	7.60	2-966292-9	100							
		28	18	4.50	7.60	3-966292-0	100							
		16	Blue	24	12	5.80	8.80	2-966067-6	100			CSA	Tool from alternative manufacturer: Klauke K28 ⁽²⁾	
				28	18	5.80	8.80	2-966067-7	100			CSA		
Green	24		12	5.80	8.80	3-966066-6	100	CSA						
	24		12	5.80	8.80	3-966292-1	100							
Ivory	28	18	5.80	8.80	3-966292-2	100								
	25	Black	30	16	7.30	11.20	3-966292-3	50						
36			22	7.30	11.20	3-966292-4	50							
35	Red	30	16	8.30	12.70	3-966292-5	50							
		39	25	8.30	12.70	3-966292-6	50							
50	Blue	36	20	10.30	15.00	3-966292-7	50							
		40	25	10.30	15.00	3-966292-8	50							

(1) Ferrules are delivered in 10 strips of 50 parts.

(2) This tool is not available at TE. Please contact your local distributor.

Insulated Double Wire Ferrules

from 0.50 mm² to 6 mm² - 20 to 6 AWG



Wire size	Color	L1	L2	D1	D2	D3	Part Number	Package	CSA	Side Entry Hand tool	Front Entry Hand tool	
mm ²	AWG											
		Quantity										
2x 0.50	2x20	Orange	15	8	1.40	2.50	4.70	1-966289-4	1000		539660-1	6-1579014-5
			15	8	1.40	2.50	4.70	1-966144-4	500	CSA		
		White	15	8	1.40	2.50	4.70	966144-1	500	CSA		
			15	8	1.40	2.50	4.70	966289-1	1000			
2x 0.75	2x18	Blue	15	8	1.70	2.80	5.00	1-966289-5	1000		539660-1	6-1579014-5
			17	10	1.70	2.80	5.00	1-966144-7	500	CSA		
			17	10	1.70	2.80	5.00	1-966289-7	1000			
		Grey	15	8	1.70	2.80	5.00	966144-2	500	CSA		
			15	8	1.70	2.80	5.00	966289-2	1000			
		White	17	10	1.70	2.80	5.00	966144-3	500	CSA		
			15	8	1.70	2.80	5.00	1-966289-6	1000			
			17	10	1.70	2.80	5.00	1-966144-8	500	CSA		
			17	10	1.70	2.80	5.00	1-966289-8	1000			
			17	10	1.70	2.80	5.00	1-966289-8	1000			
2x 1.0	2x17	Red	15	8	1.95	3.40	5.40	966144-4	500	CSA	539660-1	6-1579014-5
			17	10	1.95	3.40	5.40	966144-5	500	CSA		
		Yellow	15	8	1.95	3.40	5.40	1-966289-9	1000			
			15	8	1.95	3.40	5.40	1-966144-9	500	CSA		
		White	17	10	1.95	3.40	5.40	2-966144-0	500	CSA		
			17	10	1.95	3.40	5.40	2-966289-0	1000			
2x1.50	2x16	Black	16	8	2.20	3.60	6.60	966144-6	500	CSA	539660-1	6-1579014-5
			20	12	2.20	3.60	6.60	966144-7	500	CSA		
		Red	16	8	2.20	3.60	6.60	2-966144-1	500	CSA		
			20	12	2.20	3.60	6.60	2-966144-2	500	CSA		
2x2.50	2x14	Blue	18.5	10	2.80	4.20	7.80	966144-8	250	CSA	539660-1	6-1579014-5
			18.5	10	2.80	4.20	7.80	966289-8	1000			
			21.5	13	2.80	4.20	7.80	966144-9	250	CSA		
		Grey	21.5	13	2.80	4.20	7.80	966289-9	1000			
			18.5	10	2.80	4.20	7.80	2-966289-3	1000			
			21.5	13	2.80	4.20	7.80	2-966144-4	250	CSA		
			21.5	13	2.80	4.20	7.80	2-966289-4	1000			
2x4	2x12	Grey	23	12	3.70	4.90	8.80	1-966144-0	100	CSA	Tool from alternative manufacturer: Klauke K28 ⁽¹⁾	
		Orange	23	12	3.70	4.90	8.80	2-966144-5	100	CSA		
2x6	2x10	Green	26	14	4.80	6.90	10.00	2-966144-6	100	CSA		
		Yellow	26	14	4.80	6.90	10.00	1-966144-1	100	CSA		
2x10	2x8	Red	26	14	6.40	7.20	13.00	1-966144-2	100	CSA		
		Brown	26	14	6.40	7.20	13.00	2-966144-8	100	CSA		
2x16	2x6	Blue	30	14	8.20	9.60	18.40	1-966144-3	50	CSA		

(1) This tool is not available at TE. Please contact your local distributor.

MANUAL HAND TOOLING

The tools below are compatible for all the ferrules mentioned in this brochure (with respect to their maximum wire capacity).

Side entry tool

Part Nbr.: 539660-1



- For 0.08 up to 10 mm² wire crimping
- Square crimp profile with 4 serrated crimp surfaces
- Certified for UL ⁽¹⁾ and CSA Applications.

Front entry tool

Part Nbr.: 6-1579014-5



- For 0.08 up to 16 mm² wire crimping
- Pre-selection of crimping wire ranges by a change over switch
- Releasable ratchet
- Square crimp profile with 4 serrated crimp surfaces
- Certified for UL ⁽¹⁾ and CSA applications.

(1) UL certification with wire end ferrules pending.

CONNECT WITH US

We make it easy to connect with our experts and are ready to provide all the support you need.

Visit www.te.com/support to chat with a Product Information Specialist.

Asia: +86 400-820-6015 - Europe, Middle East, & Africa: +49 6251-133-0 - North America: +1-888-441-9982

te.com

© 2020 TE Connectivity. All Rights Reserved.

TE Connectivity, TE connectivity (logo) and Every Connection Counts are trademarks. All other logos, products and/or company names referred to herein might be trademarks of their respective owners.

While TE has made every reasonable effort to ensure the accuracy of the information in this brochure, TE does not guarantee that it is error-free, nor does TE make any other representation, warranty or guarantee that the information is accurate, correct, reliable or current. TE reserves the right to make any adjustments to the information contained herein at any time without notice. TE expressly disclaims all implied warranties regarding the information contained herein, including, but not limited to, any implied warranties of merchantability or fitness for a particular purpose. The dimensions in this catalog are for reference purposes only and are subject to change without notice. Specifications are subject to change without notice. Consult TE for the latest dimensions and design specifications.

6-1773984-8 11/20 Original

BROCHURE

TE Connectivity

3, rue Jean Perrin
69687 Chassieu cedex
France

Tel: +33 481923100

www.te.com