

929092-1 ✓ ACTIVE

## AMP MCP 2.8, AMP MCP Connector System

TE Internal #: 929092-1

16 Position Housing, Housing for Female Terminals, Wire-to-Wire, 5.08 mm [.2 in] Centerline, Black, Wire & Cable, Cable Mount (Free-Hanging), Hybrid

[View on TE.com >](#)



Automotive Parts > Automotive Connectors > Automotive Housings



Connector & Housing Type: **Housing for Female Terminals**

Number of Positions: **16**

Sealable: **No**

Number of Rows: **4**

Connector Position Assurance Capable: **No**

### Features

#### Product Type Features

Mixed & Hybrid Connector	No
Connector Shape	Rectangular
Connector & Housing Type	Housing for Female Terminals
Sealable	No
Primary Locking Feature	Integrated in Housing
Connector System	Wire-to-Wire
Connector & Contact Terminates To	Wire & Cable

#### Configuration Features

Number of Positions	16
Number of Rows	4

#### Electrical Characteristics

Operating Voltage	28 VDC
Nominal Voltage Architecture	12 V

#### Body Features

Cable Exit Angle	180°
Primary Product Color	Black

#### Contact Features

Contact Size	2.8mm
--------------	-------



Contact Type	Receptacle
--------------	------------

Mating Tab Width	2.8 mm[.11 in]
------------------	----------------

### Mechanical Attachment

Strain Relief	Without
---------------	---------

Terminal Position Assurance	Yes
-----------------------------	-----

Mating Alignment Type	Polarization
-----------------------	--------------

Mating Alignment	With
------------------	------

Connector Mounting Type	Cable Mount (Free-Hanging)
-------------------------	----------------------------

### Housing Features

Housing Material	PA
------------------	----

Centerline (Pitch)	5.08 mm[.2 in]
--------------------	----------------

### Dimensions

Row-to-Row Spacing	5.08 mm[.2 in]
--------------------	----------------

Product Width	23.5 mm[.925 in]
---------------	------------------

Product Length	28.4 mm[1.118 in]
----------------	-------------------

Connector Height	28.9 mm[1.138 in]
------------------	-------------------

### Industry Standards

UL Flammability Rating	UL 94HB
------------------------	---------

### Packaging Features

Packaging Quantity	1000
--------------------	------

Packaging Method	Carton
------------------	--------

### Other

Serviceable	Yes
-------------	-----

Connector Position Assurance Capable	No
--------------------------------------	----

### Product Compliance

[For compliance documentation, visit the product page on TE.com>](#)

EU RoHS Directive 2011/65/EU	Compliant
------------------------------	-----------

EU ELV Directive 2000/53/EC	Compliant
-----------------------------	-----------

China RoHS 2 Directive MIIT Order No 32, 2016	No Restricted Materials Above Threshold
---	---

EU REACH Regulation (EC) No. 1907/2006	Current ECHA Candidate List: JAN 2025 (247)
--	--



Candidate List Declared Against: JAN 2025 (247)

Does not contain REACH SVHC

Halogen Content

BFR/CFR/PVC Free, but Br/Cl >900 ppm in other sources.

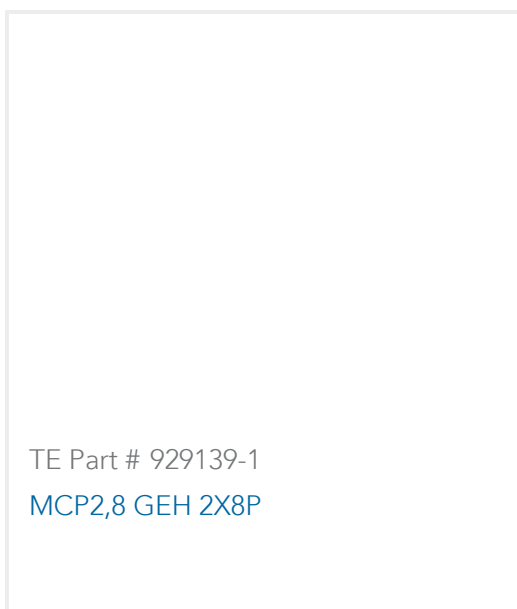
Solder Process Capability

Not applicable for solder process capability

Product Compliance Disclaimer

This information is provided based on reasonable inquiry of our suppliers and represents our current actual knowledge based on the information they provided. This information is subject to change. The part numbers that TE has identified as EU RoHS compliant have a maximum concentration of 0.1% by weight in homogenous materials for lead, hexavalent chromium, mercury, PBB, PBDE, DBP, BBP, DEHP, DIBP, and 0.01% for cadmium, or qualify for an exemption to these limits as defined in the Annexes of Directive 2011/65/EU (RoHS2). Finished electrical and electronic equipment products will be CE marked as required by Directive 2011/65/EU. Components may not be CE marked. Additionally, the part numbers that TE has identified as EU ELV compliant have a maximum concentration of 0.1% by weight in homogenous materials for lead, hexavalent chromium, and mercury, and 0.01% for cadmium, or qualify for an exemption to these limits as defined in the Annexes of Directive 2000/53/EC (ELV). Regarding the REACH Regulation, the information TE provides on SVHC in articles for this part number is based on the latest European Chemicals Agency (ECHA) 'Guidance on requirements for substances in articles' posted at this URL: <https://echa.europa.eu/guidance-documents/guidance-on-reach>

## Compatible Parts



## Also in the Series | AMP MCP 2.8



Automotive Connector Caps & Covers (25)



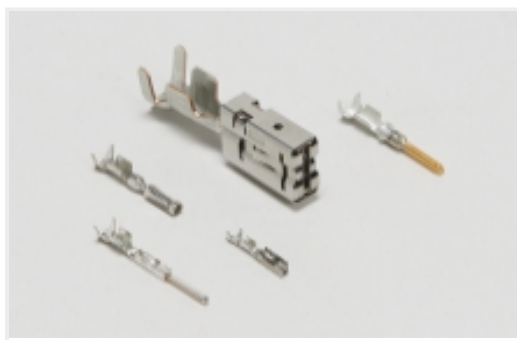
Automotive Housings(257)



Automotive Signal & Power Connector Housings(103)

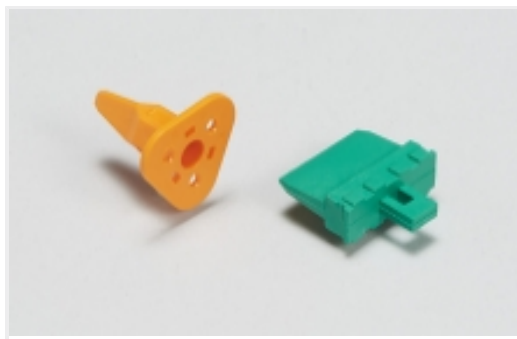


Automotive Signal & Power Headers(9)

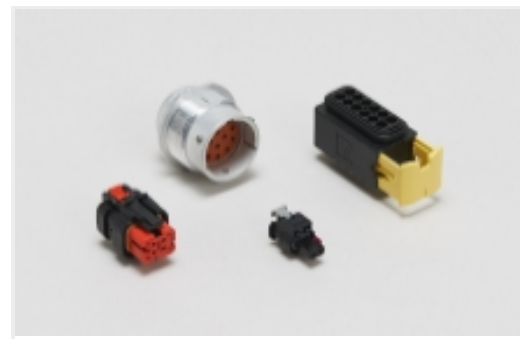


Automotive Terminals(7)

## Also in the Series | AMP MCP Connector System



Automotive Connector Locks & Position Assurance(4)



Automotive Housings(257)



Automotive Seals & Cavity Plugs(6)



Automotive Signal & Power Connector Housings(103)



Other Automotive Connector Accessories(3)

## Customers Also Bought



TE Part #1062-16-0622  
SOC, SF, SIZE 16, 16-20, NI/SN



TE Part #DT04-6P-CL06  
REC, 6P, BLK, E, FLANGE



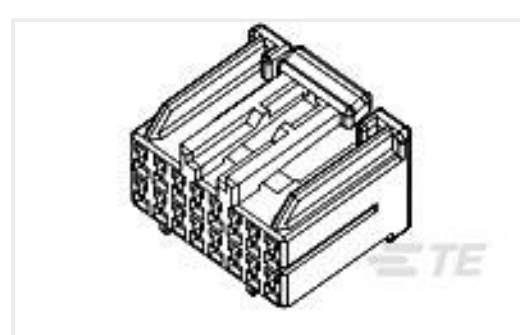
TE Part #DT15-6P  
HDR, 6P, GRY, ST, NI/CU



TE Part #DT06-6S-E008  
PLG, 6P, GRY, N, XCAP



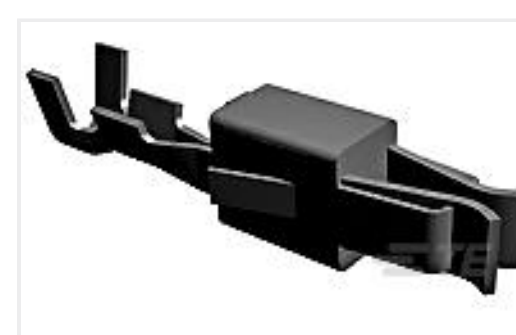
TE Part #31807  
TERMINAL,SOLIS R 8 10



TE Part #917981-2  
HYBRID MK-2 PLUG HSG ASSY 16P



TE Part #CAT-T4827-CH8172  
Timer Connector Housing



TE Part #927774-3  
JPT REC 2.8 Contact SRC Sn



## Documents

### Product Drawings

[MCP2,8 GEH ASSY2X8P](#)

English

### CAD Files

Customer View Model

[ENG\\_CVM\\_929092-1\\_B.3d\\_igs.zip](#)

English

Customer View Model

[ENG\\_CVM\\_929092-1\\_B.3d\\_stp.zip](#)

English

Customer View Model

[ENG\\_CVM\\_929092-1\\_B.2d\\_dxf.zip](#)

English

### 3D PDF

English

By downloading the CAD file I accept and agree to the [Terms and Conditions](#) of use.

### Product Specifications

[Product Specification](#)

English