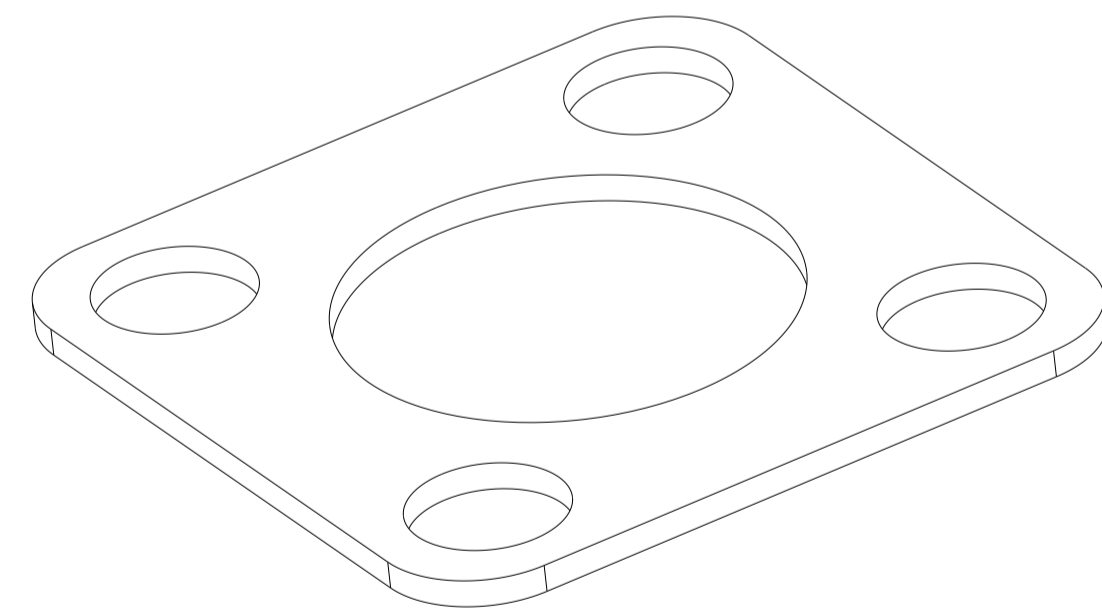
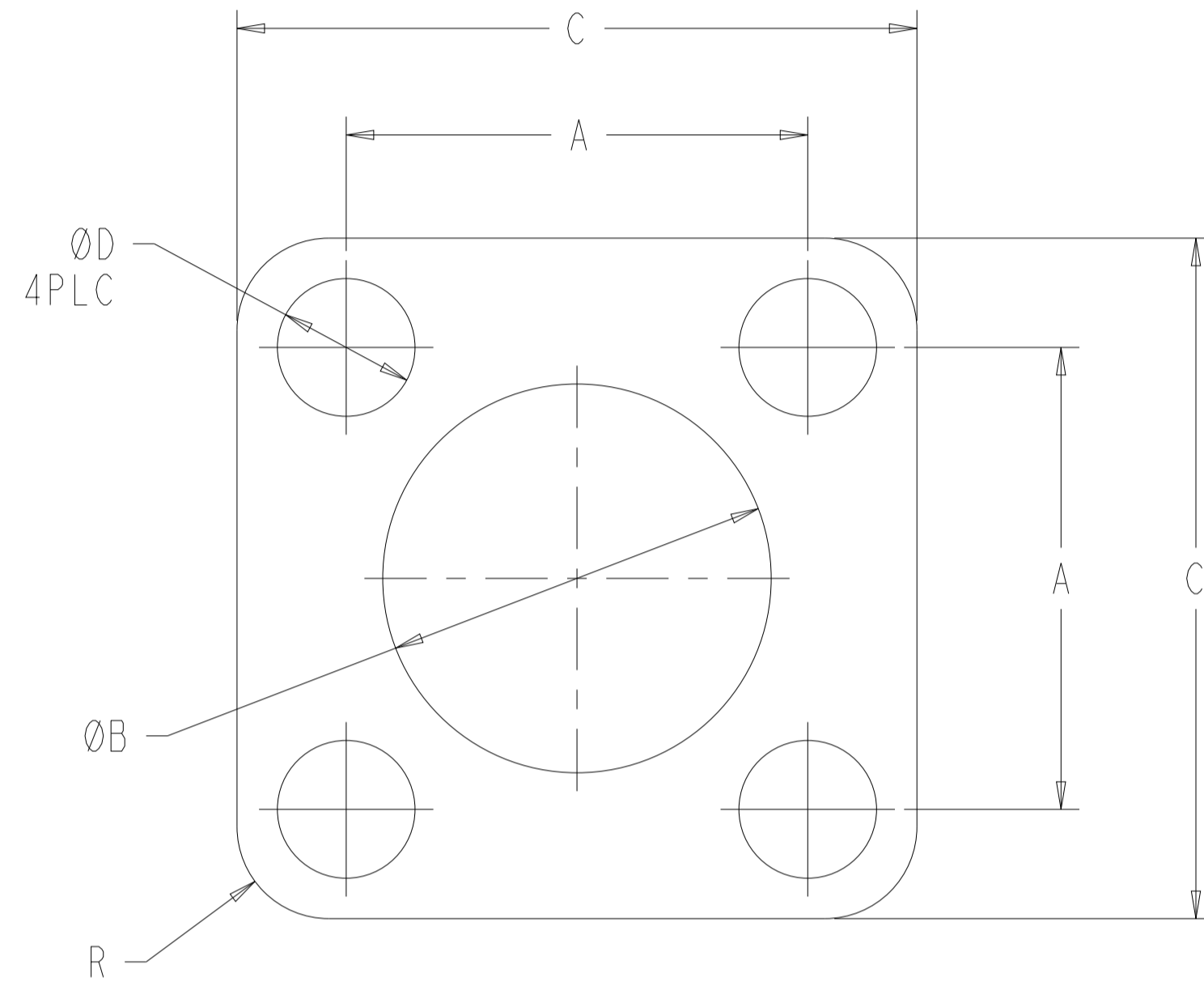


MATERIAL SPECIFIC DATA TABLE

TEST SPECIFICATION / MATERIAL CODE	SILICONE NICKEL GRAPHITE (SNG)	SILICONE SILVER ALUMINIUM (SSA)	FLUOROSILICONE NICKEL GRAPHITE (FNG)	FLUOROSILICONE SILVER ALUMINIUM (FSA)
RECOMMENDED OPERATING TEMPERATURE RANGE (°C)	-55 to 160	-55 to 160	-55 to 160	-55 to 160
SPECIFIC GRAVITY ± 13%	2.000	2.000	2.200	2.000
SHORE A HARDNESS ± 7	65	65	65	70
MAXIMUM VOLUME RESISTIVITY (Ω.CM)	0.05	0.008	0.05	0.012

REVISIONS				
P	LTN	DESCRIPTION	DATE	APPD
A		NEW DRAWING	22JUL2022	BDA DH
A1		BOM UPDATED	22AUG2022	BDA DH



ISOMETRIC VIEW (NTS)

MATERIAL	SHELL SIZE	COLOUR	A±0.4	ØB±0.2	C±0.5	ØD±0.2	R±0.5	ALIAS PART NUMBER	PART NUMBER
FSA	48	LIGHT GREEN	66.68	76.99	82.55	6.00	4.50	92-22060	2424031-1
FSA	44	LIGHT GREEN	60.33	70.64	76.20	6.00	4.50	92-22059	2424030-1
FSA	40	LIGHT GREEN	55.58	61.93	69.85	6.00	4.50	92-22058	2424029-1
FSA	36	LIGHT GREEN	49.23	55.58	63.50	6.00	4.50	92-22057	2424028-1
FSA	32	LIGHT GREEN	44.45	50.80	57.15	6.00	4.50	92-22056	2424027-1
FSA	28	LIGHT GREEN	39.67	44.45	50.80	5.50	4.50	92-22055	2424026-1
FSA	24	LIGHT GREEN	34.93	38.10	44.45	5.50	4.50	92-22054	2424025-1
FSA	22	LIGHT GREEN	31.75	34.93	41.28	5.00	4.50	92-22053	2424024-1
FSA	20	LIGHT GREEN	29.36	31.75	38.10	5.00	4.50	92-22052	2424023-1
FSA	18	LIGHT GREEN	26.97	28.58	34.93	5.00	4.50	92-22051	2424022-1
FSA	16	LIGHT GREEN	24.61	25.40	32.54	4.50	5.50	92-22050	2424021-1
FSA	14	LIGHT GREEN	23.01	22.23	30.18	4.50	5.00	92-22049	2424020-1
FSA	12	LIGHT GREEN	20.65	19.05	27.79	4.50	4.00	92-22048	2424019-1
FSA	10	LIGHT GREEN	18.26	15.88	25.40	4.50	3.00	92-22047	2424018-1
FSA	8	LIGHT GREEN	15.09	12.70	22.23	4.50	3.00	92-22046	2424017-1
SSA	48	BEIGE	66.68	76.99	82.55	6.00	4.50	92-22045	2423989-1
SSA	44	BEIGE	60.33	70.64	76.20	6.00	4.50	92-22044	2423988-1
SSA	40	BEIGE	55.58	61.93	69.85	6.00	4.50	92-22043	2423987-1
SSA	36	BEIGE	49.23	55.58	63.50	6.00	4.50	92-22042	2423986-1
SSA	32	BEIGE	44.45	50.80	57.15	6.00	4.50	92-22041	2423985-1
SSA	28	BEIGE	39.67	44.45	50.80	5.50	4.50	92-22040	2423984-1
SSA	24	BEIGE	34.93	38.10	44.45	5.50	4.50	92-22039	2423983-1
SSA	22	BEIGE	31.75	34.93	41.28	5.00	4.50	92-22038	2423982-1
SSA	20	BEIGE	29.36	31.75	38.10	5.00	4.50	92-22037	2423981-1
SSA	18	BEIGE	26.97	28.58	34.93	5.00	4.50	92-22036	2423980-1
SSA	16	BEIGE	24.61	25.40	32.54	4.50	5.50	92-22035	2423979-1
SSA	14	BEIGE	23.01	22.23	30.18	4.50	5.00	92-22034	2423978-1
SSA	12	BEIGE	20.65	19.05	27.79	4.50	4.00	92-22033	2423977-1
SSA	10	BEIGE	18.26	15.88	25.40	4.50	3.00	92-22032	2423976-1
SSA	8	BEIGE	15.09	12.70	22.23	4.50	3.00	92-22031	2423975-1
FNG	48	DARK GREEN	66.68	76.99	82.55	6.00	4.50	92-22030	2423948-1
FNG	44	DARK GREEN	60.33	70.64	76.20	6.00	4.50	92-22029	2423947-1
FNG	40	DARK GREEN	55.58	61.93	69.85	6.00	4.50	92-22028	2423946-1
FNG	36	DARK GREEN	49.23	55.58	63.50	6.00	4.50	92-22027	2423945-1
FNG	32	DARK GREEN	44.45	50.80	57.15	6.00	4.50	92-22026	2423944-1
FNG	28	DARK GREEN	39.67	44.45	50.80	5.50	4.50	92-22025	2423943-1
FNG	24	DARK GREEN	34.93	38.10	44.45	5.50	4.50	92-22024	2423942-1
FNG	22	DARK GREEN	31.75	34.93	41.28	5.00	4.50	92-22023	2423941-1
FNG	20	DARK GREEN	29.36	31.75	38.10	5.00	4.50	92-22022	2423940-1
FNG	18	DARK GREEN	26.97	28.58	34.93	5.00	4.50	92-22021	2423939-1
FNG	16	DARK GREEN	24.61	25.40	32.54	4.50	5.50	92-22020	2423938-1
FNG	14	DARK GREEN	23.01	22.23	30.18	4.50	5.00	92-22019	2423937-1
FNG	12	DARK GREEN	20.65	19.05	27.79	4.50	4.00	92-22018	2423936-1
FNG	10	DARK GREEN	18.26	15.88	25.40	4.50	3.00	92-22017	2423935-1
FNG	8	DARK GREEN	15.09	12.70	22.23	4.50	3.00	92-22016	2423934-1
SNG	48	DARK GREY	66.68	76.99	82.55	6.00	4.50	92-22015	2423907-1
SNG	44	DARK GREY	60.33	70.64	76.20	6.00	4.50	92-22014	2423906-1
SNG	40	DARK GREY	55.58	61.93	69.85	6.00	4.50	92-22013	2423905-1
SNG	36	DARK GREY	49.23	55.58	63.50	6.00	4.50	92-22012	2423904-1
SNG	32	DARK GREY	44.45	50.80	57.15	6.00	4.50	92-22011	2423903-1
SNG	28	DARK GREY	39.67	44.45	50.80	5.50	4.50	92-22010	2423902-1
SNG	24	DARK GREY	34.93	38.10	44.45	5.50	4.50	92-22009	2423901-1
SNG	22	DARK GREY	31.75	34.93	41.28	5.00	4.50	92-22008	2423900-1
SNG	20	DARK GREY	29.36	31.75	38.10	5.00	4.50	92-22007	2423899-1
SNG	18	DARK GREY	26.97	28.58	34.93	5.00	4.50	92-22006	2423898-1
SNG	16	DARK GREY	24.61	25.40	32.54	4.50	5.50	92-22005	2423897-1
SNG	14	DARK GREY	23.01	22.23	30.18	4.50	5.00	92-22004	2423896-1
SNG	12	DARK GREY	20.65	19.05	27.79	4.50	4.00	92-22003	2423895-1
SNG	10	DARK GREY	18.26	15.88	25.40	4.50	3.00	92-22002	2423894-1
SNG	8	DARK GREY	15.09	12.70	22.23	4.50	3.00	92-22001	2423893-1

THIS DRAWING IS A CONTROLLED DOCUMENT. **TE** TE Connectivity

APPROVED: **D. HEMMING** 22JUL2022

NAME: 92 CONNECTOR GASKETS MIL-DTL-5015

SIZE: A | CAGE CODE: 00779 | DRAWING NO: 92-CONNECTOR-GASKETS

SCALE: 5:1 | SHEET: 1 OF 1 | REV: A1