

9-2141968-9 ✓ ACTIVE

## Generation Y Connector System

TE Internal #: 9-2141968-9

46 Position Housing, Housing for Female Terminals, Wire-to-Board,

3.8 mm / 6 mm [.149 in / .236 in] Centerline, Generation Y

Connector System

[View on TE.com >](#)



Automotive Parts > Automotive Connectors > Automotive Housings



Connector & Housing Type: **Housing for Female Terminals**

Number of Positions: **46**

Sealable: **Yes**

Number of Rows: **3**

Connector Position Assurance Capable: **No**

### Features

#### Product Type Features

Mixed & Hybrid Connector	Yes
Connector Shape	Rectangular
Connector & Housing Type	Housing for Female Terminals
Sealable	Yes
Primary Locking Feature	Integrated in Housing
Connector System	Wire-to-Board
Connector & Contact Terminates To	Wire & Cable

#### Configuration Features

Number of Positions	46
Number of Rows	3

#### Electrical Characteristics

Nominal Voltage Architecture	12 V
------------------------------	------

#### Body Features

Cable Exit Angle	180°
------------------	------



Primary Product Color	Black
-----------------------	-------

Connector & Keying Code	A
-------------------------	---

### Contact Features

Contact Size	.64mm, 2.8mm, 6.3mm
--------------	---------------------

Contact Type	Receptacle
--------------	------------

Mating Tab Width	.64 mm, 2.8 mm, 6.3 mm [.025 in][.11 in][.25 in]
------------------	--------------------------------------------------

### Mechanical Attachment

Strain Relief	Without
---------------	---------

Terminal Position Assurance	Yes
-----------------------------	-----

Mating Alignment Type	Keyed
-----------------------	-------

Mating Alignment	With
------------------	------

Connector Mounting Type	Cable Mount (Free-Hanging)
-------------------------	----------------------------

### Housing Features

Housing Material	PBT GF20
------------------	----------

Centerline (Pitch)	3.8 mm, 6 mm [.149 in][.236 in]
--------------------	---------------------------------

### Dimensions

Row-to-Row Spacing	4.5 mm, 8.5 mm [.18 in][.34 in]
--------------------	---------------------------------

Product Width	36.6 mm [1.44 in]
---------------	-------------------

Product Length	92 mm [3.62 in]
----------------	-----------------

Connector Height	43.5 mm [1.71 in]
------------------	-------------------

### Operation/Application

Circuit Application	Power & Signal
---------------------	----------------

### Packaging Features

Packaging Quantity	90
--------------------	----

Packaging Method	Package
------------------	---------

### Other

Serviceable	Yes
-------------	-----

Connector Position Assurance Capable	No
--------------------------------------	----

### Product Compliance

[For compliance documentation, visit the product page on TE.com>](#)



EU RoHS Directive 2011/65/EU	Compliant
EU ELV Directive 2000/53/EC	Compliant
China RoHS 2 Directive MIIT Order No 32, 2016	No Restricted Materials Above Threshold
EU REACH Regulation (EC) No. 1907/2006	Current ECHA Candidate List: JAN 2025 (247) Candidate List Declared Against: JAN 2025 (247) Does not contain REACH SVHC
Halogen Content	Low Halogen - Br, Cl, F, I < 900 ppm per homogenous material. Also BFR/CFR/PVC Free
Solder Process Capability	Not reviewed for solder process capability

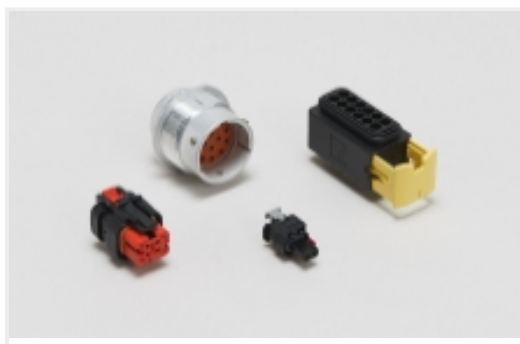
Product Compliance Disclaimer

This information is provided based on reasonable inquiry of our suppliers and represents our current actual knowledge based on the information they provided. This information is subject to change. The part numbers that TE has identified as EU RoHS compliant have a maximum concentration of 0.1% by weight in homogenous materials for lead, hexavalent chromium, mercury, PBB, PBDE, DBP, BBP, DEHP, DIBP, and 0.01% for cadmium, or qualify for an exemption to these limits as defined in the Annexes of Directive 2011/65/EU (RoHS2). Finished electrical and electronic equipment products will be CE marked as required by Directive 2011/65/EU. Components may not be CE marked. Additionally, the part numbers that TE has identified as EU ELV compliant have a maximum concentration of 0.1% by weight in homogenous materials for lead, hexavalent chromium, and mercury, and 0.01% for cadmium, or qualify for an exemption to these limits as defined in the Annexes of Directive 2000/53/EC (ELV). Regarding the REACH Regulation, the information TE provides on SVHC in articles for this part number is based on the latest European Chemicals Agency (ECHA) 'Guidance on requirements for substances in articles' posted at this URL: <https://echa.europa.eu/guidance-documents/guidance-on-reach>

### Compatible Parts



### Also in the Series | Generation Y Connector System



Automotive Housings(138)



Automotive Seals & Cavity Plugs(6)



Automotive Signal & Power Connector Housings(138)

## Customers Also Bought



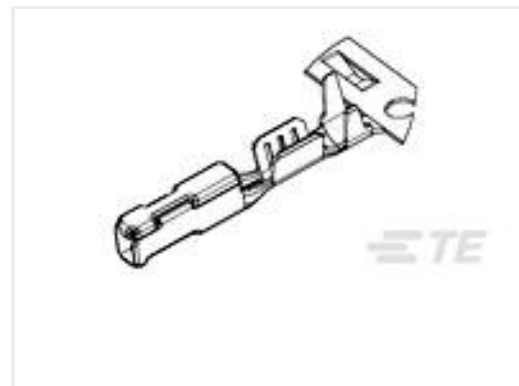
TE Part #HDP26-18-14PE-L017  
PLG, 14P, BLK, E, RNG, 16, P



TE Part #1452421-3  
58 POS. CONNECTOR COVER 90 ASSY



TE Part #1456867-3  
PLG ASSY,2X8,UNSEALD, 0.64,Gen



TE Part #2035334-1  
CONTACT,FEMALE0.64, 20 TO 22 A



TE Part #2035360-1  
1X4 GENERATION Y ASSY KEY A



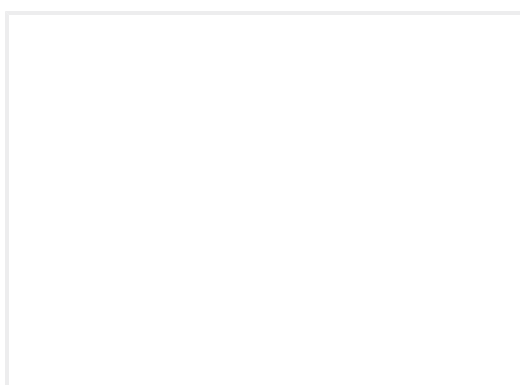
TE Part #2138558-1  
2P GENERATION Y Cap, Single-Pi



TE Part #2141969-1  
COVER, WITH LEVER,ASSY



TE Part #1438180-1  
50 WAY ANGLED EXIT WIRE SHIELD



TE Part #1-1456570-2  
SUB-ASSY,PLUG,2.8/6.3,38 WAY,ABS



TE Part #1-1924067-9  
2POS, MCON 1.2 CB REC 2p TL SEALED

## Documents

### Product Drawings

46POS, MIXED,REC HSG,ASSY,SEALED

English

### CAD Files

3D PDF

3D

### Customer View Model

ENG\_CVM\_CVM\_9-2141968-9\_B1.2d\_dxf.zip



English

**Customer View Model**

[ENG\\_CVM\\_CVM\\_9-2141968-9\\_B1.3d\\_igs.zip](#)

English

**Customer View Model**

[ENG\\_CVM\\_CVM\\_9-2141968-9\\_B1.3d\\_stp.zip](#)

English

By downloading the CAD file I accept and agree to the [Terms and Conditions](#) of use.

**Product Specifications**

[Application Specification](#)

English