

**5MM ANGULAR 45° CONNECTORS  
WITH CAGE CLAMP  
SERIES B04**



**5mm and 10mm Pitch**

**PHYSICAL PROPERTIES:**

**Housing:**

HOUSING MATERIALS: Polybutylene terephthalate (PBTP), GV 20

FLAMMABILITY: UL94V-0

COLOR: Blue or Black

**Terminal:**

CAGE CLAMP AND SOLDER PIN: Brass, tin plated  
SCREW: M2,6 x 4,5mm, steel, zinc plated, yellow chromate treated

**Mechanical:**

PITCH (TERMINAL SPACING): 5mm and 10mm

RECOMMENDED PCB HOLE DIA.: 1,4mm

WIRE STRIP LENGTH: 6,0mm - 6,5mm

RECOMMENDED TIGHTENING TORQUE: 0.8Nm (7.0 in-lbs)

**ELECTRICAL PROPERTIES:**

MAXIMUM CURRENT: 15A

OPERATING VOLTAGE: 300V

WIRE RANGE: 14-22 AWG (With Wire Protector)

DIELECTRIC WITHSTAND: 16 KV/mm

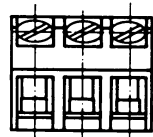
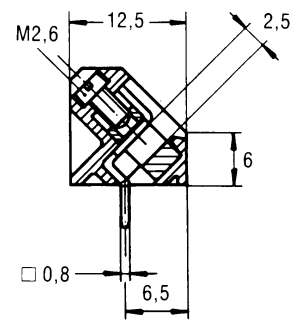
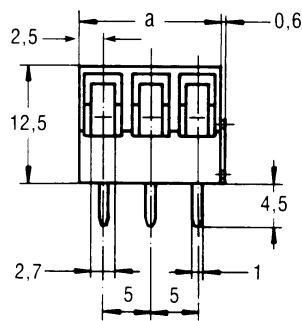
**ENVIRONMENTAL PROPERTIES:**

OPERATING TEMPERATURE RANGE:

-30°C to +120°C Gold and Silver contact system

-30°C to +105°C Tin contact system

**B04C4 (vertical solder pins)**



**Ordering Information**

# OF TERMINALS	5MM VERTICAL	10MM VERTICAL
2	B04C4V02T	B04C5V02T
3	B04C4V03T	B04C5V03T
4	B04C4V04T	B04C5V04T
5	B04C4V05T	B04C5V05T
6	B04C4V06T	B04C5V06T
7	B04C4V07T	B04C5V07T
8	B04C4V08T	B04C5V08T
9	B04C4V09T	—
10	B04C4V10T	—
11	B04C4V11T	—
12	B04C4V12T	—
13	B04C4V13T	—
14	B04C4V14T	—
15	B04C4V15T	—
16	B04C4V16T	—

**NOTE:** Add "B" suffix for black color. Minimum order 5000 pieces.



**5MM ANGULAR 45° CONNECTOR  
WITH CAGE CLAMP  
SERIES 5LEA**



**5mm Pitch**

**PHYSICAL PROPERTIES**

**Housing:**

HOUSING MATERIAL: Thermoplastic  
FLAMMABILITY: UL94V-0  
COLOR: Green or black

**Terminal:**

CONTACTS: Bright acid-tin plated copper alloy  
SOLDERABILITY: MIL STD 202, Method 208  
CAGE CLAMP: Zinc plated steel with yellow chromate coating  
SCREWS: Zinc plated steel with yellow chromate coating, M2.5

**Mechanical:**

PITCH (TERMINAL SPACING): 5mm  
RECOMMENDED PCB HOLE DIA.: 0.062" Dia.  
RECOMMENDED TIGHTENING TORQUE: 4.5 in. lb.

**ELECTRICAL PROPERTIES**

RATING: 10 Amps, 300 volts/15 amps, 150 volts (limited ratings)  
WIRE RANGE: 14-28 AWG (solid or stranded)

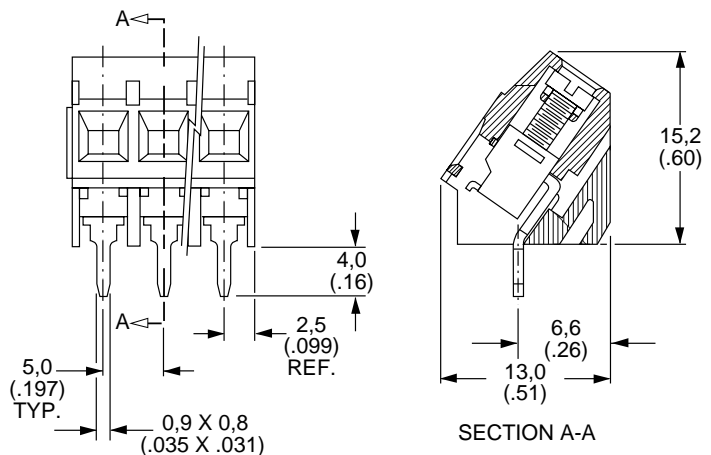
**ENVIRONMENTAL PROPERTIES**

MAX. OPERATING TEMPERATURE: 105° C.

**Ordering Information**

# OF TERMINALS	5MM ANGULAR GREEN	5MM ANGULAR BLACK
2	5LEA-02	5LEA-02-1
3	5LEA-03	5LEA-03-1
4	5LEA-04	5LEA-04-1
5	5LEA-05	5LEA-05-1
6	5LEA-06	5LEA-06-1
7	5LEA-07	5LEA-07-1
8	5LEA-08	5LEA-08-1
9	5LEA-09	5LEA-09-1
10	5LEA-10	5LEA-10-1
11	5LEA-11	5LEA-11-1
12	5LEA-12	5LEA-12-1
13	5LEA-13	5LEA-13-1
14	5LEA-14	5LEA-14-1
15	5LEA-15	5LEA-15-1
16	5LEA-16	5LEA-16-1
17	5LEA-17	5LEA-17-1
18	5LEA-18	5LEA-18-1
19	5LEA-19	5LEA-19-1
20	5LEA-20	5LEA-20-1
21	5LEA-21	5LEA-21-1
22	5LEA-22	5LEA-22-1
23	5LEA-23	5LEA-23-1
24	5LEA-24	5LEA-24-1

**5LEA (vertical solder pins)**



NOTE: Consult factory for molded to length

