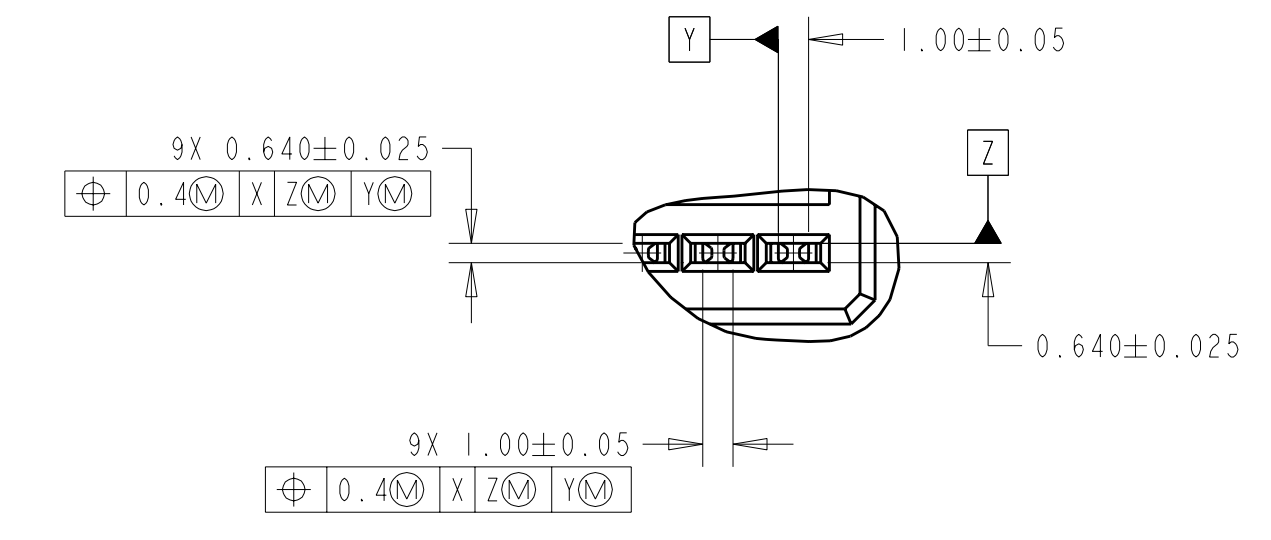
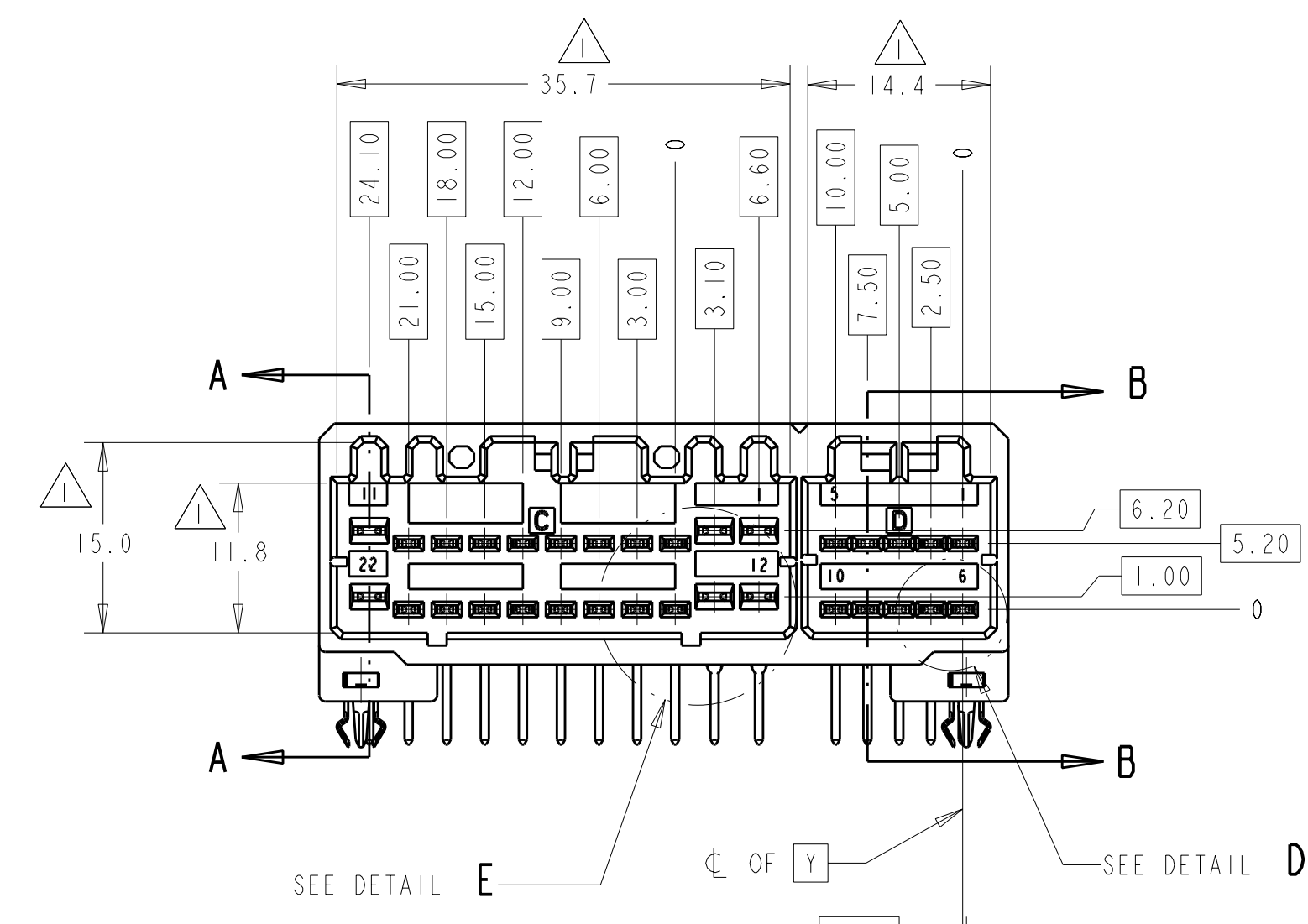
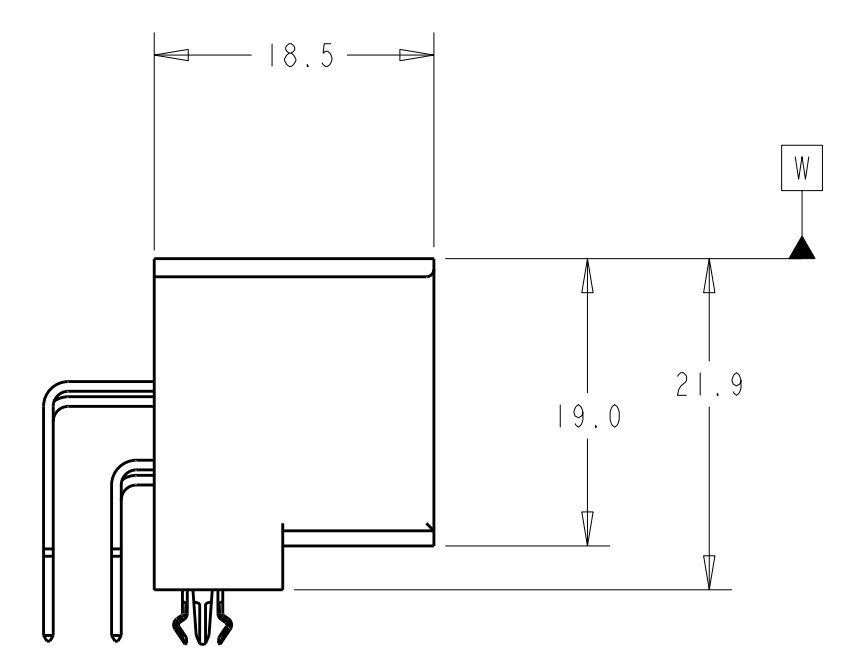
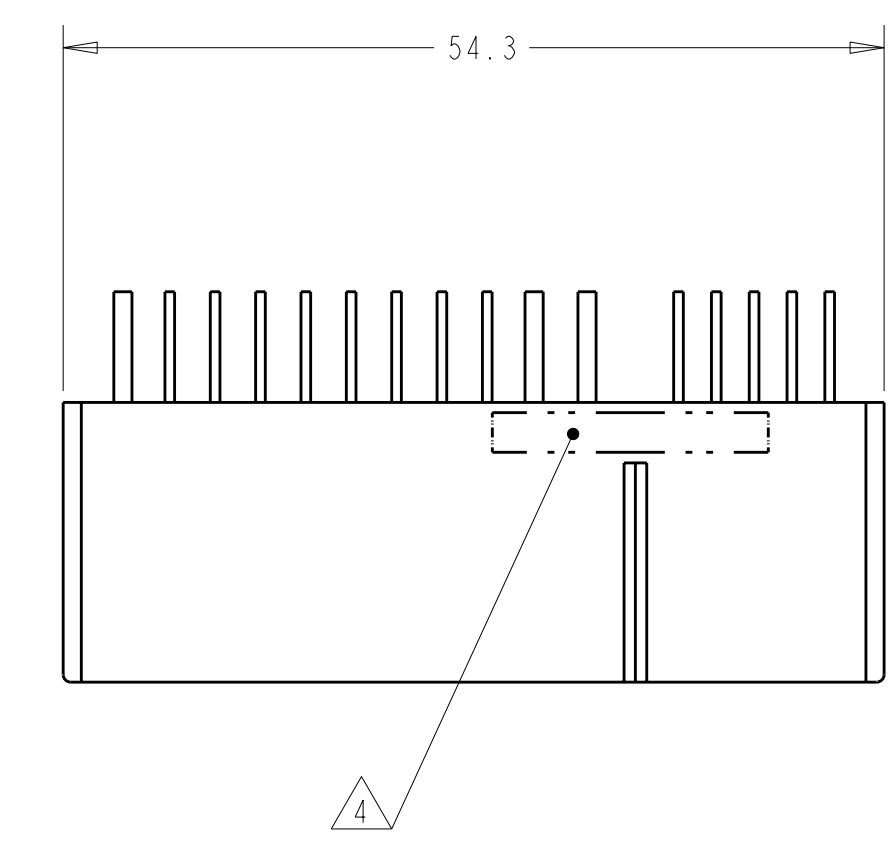
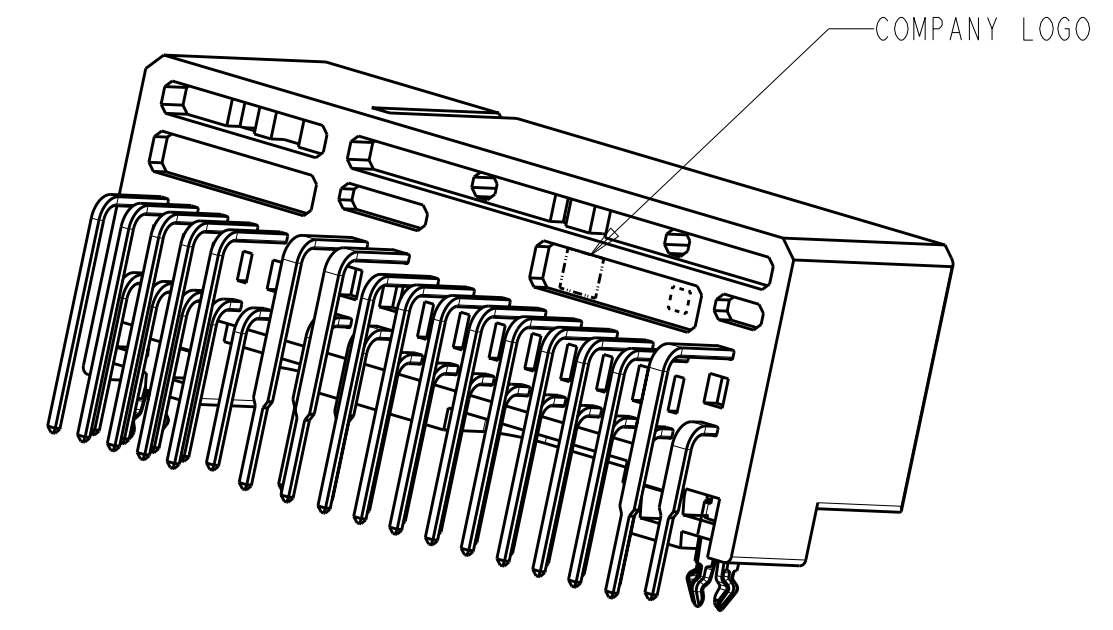
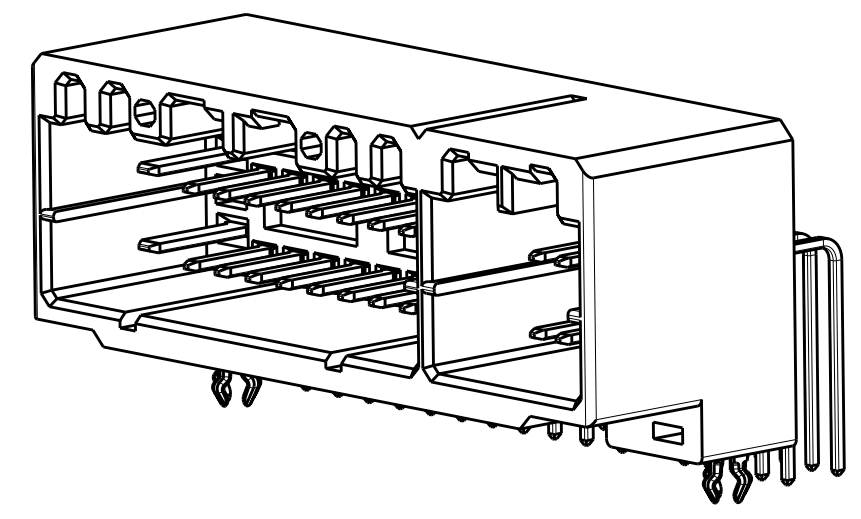
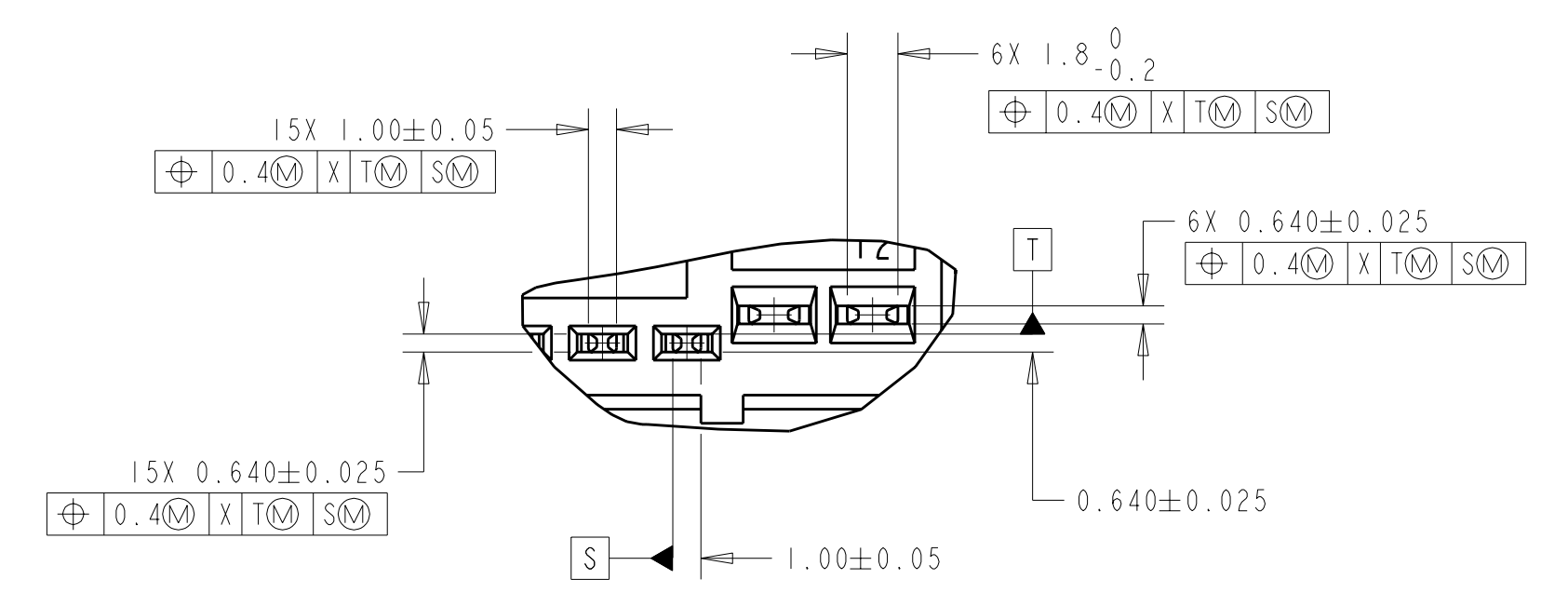


LOC	DIST	REVISIONS			
P	LTB	DESCRIPTION	DATE	DWN	APVD
I		PRELIMINARY RELEASED PER D08-085	13JUN2008	RGV	MAS
A		RELEASED PER ECO-10-006628	29MAR2010	DLD	MHB
A1		REVISED PER ECO-10-013122	12JUL2010	DLD	MHB

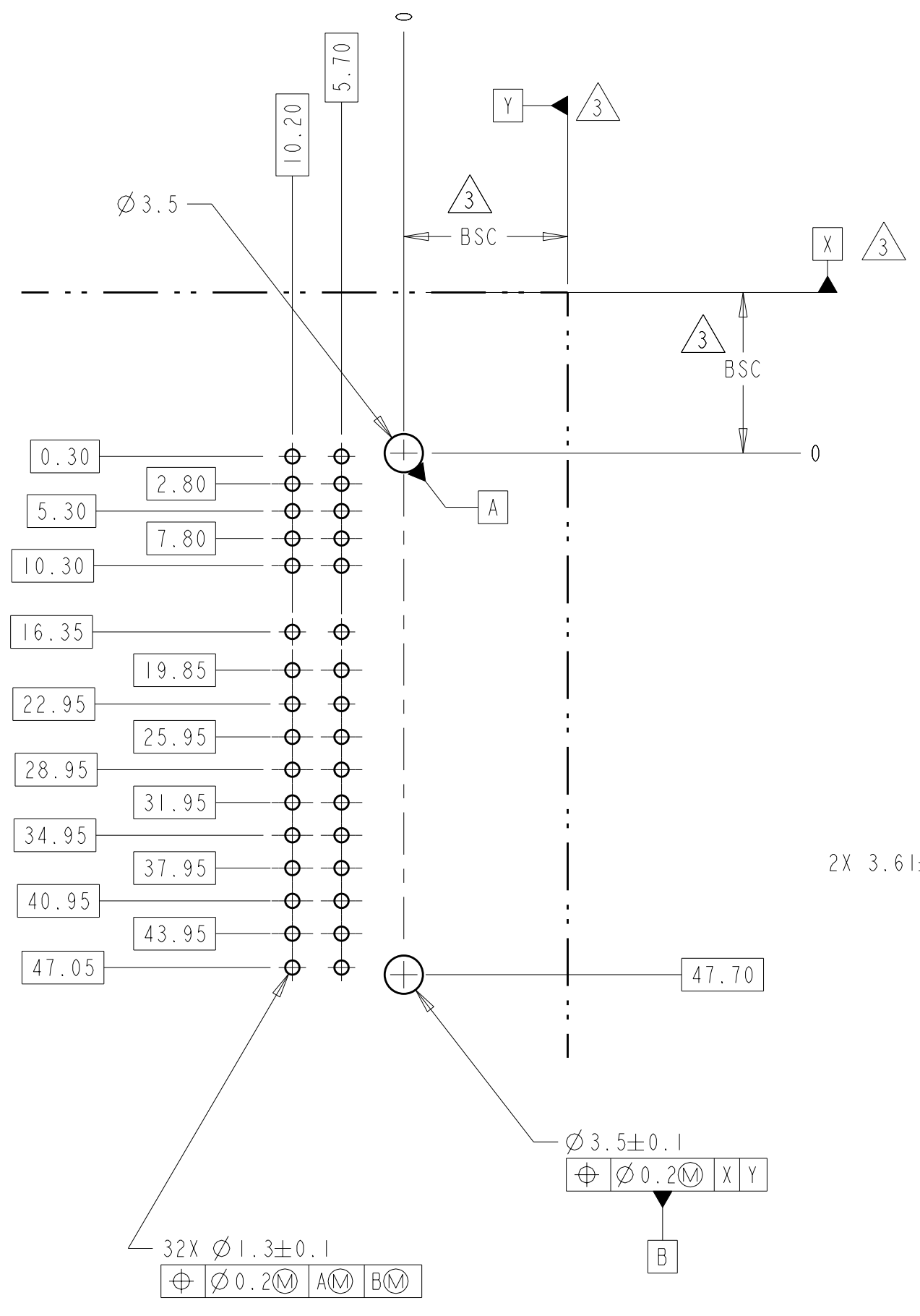
- △ DIMENSION MUST BE HELD BETWEEN [X] AND 2.0mm FROM [X]
- 2. MATING PLUGS: 22 POS 917989-2  
10 POS 638207-6
- △ DATUMS AND BASIC DIMENSIONS ESTABLISHED BY CUSTOMER.
- △ DATE CODE



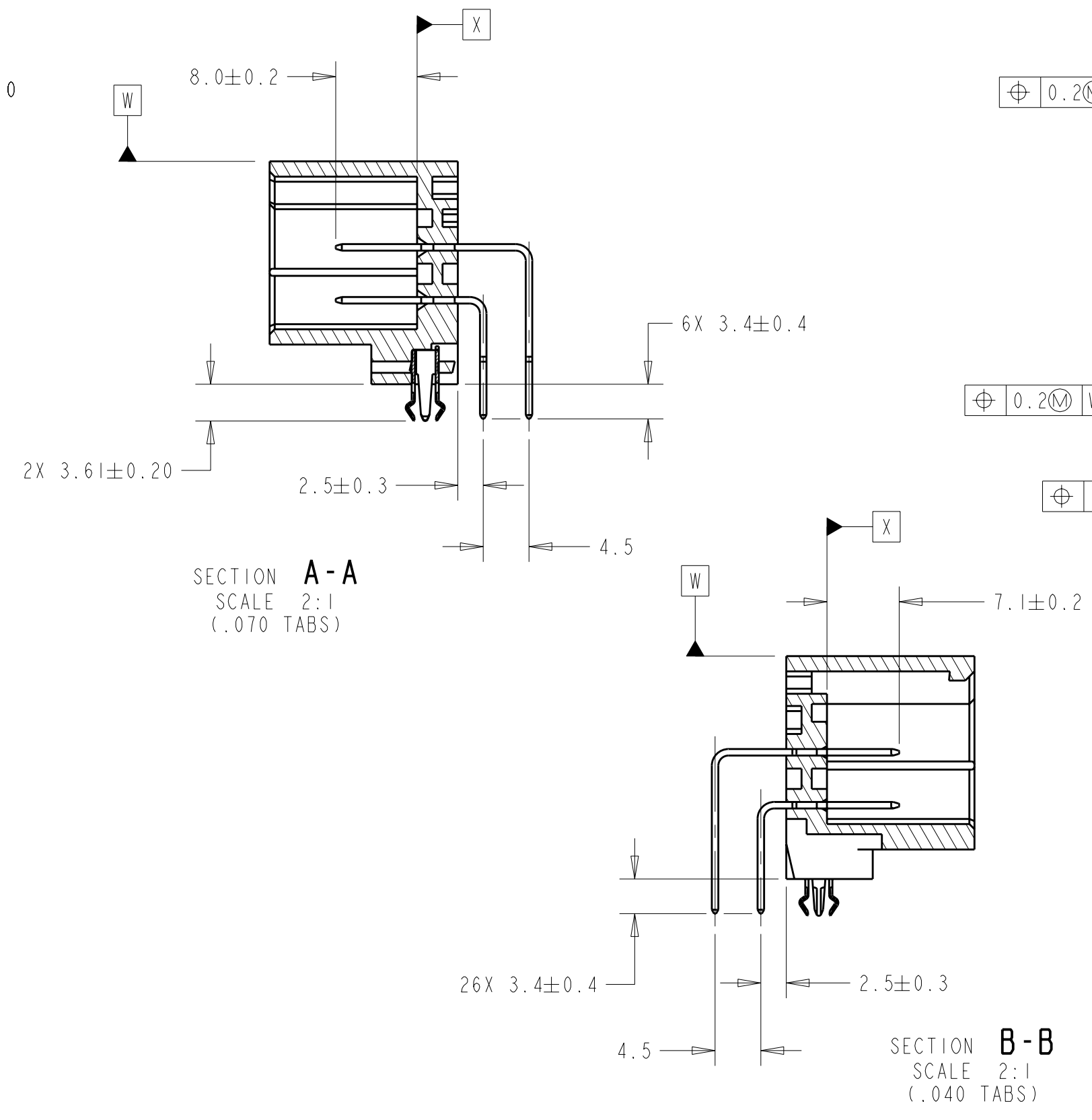
DETAIL D  
SCALE 4:1



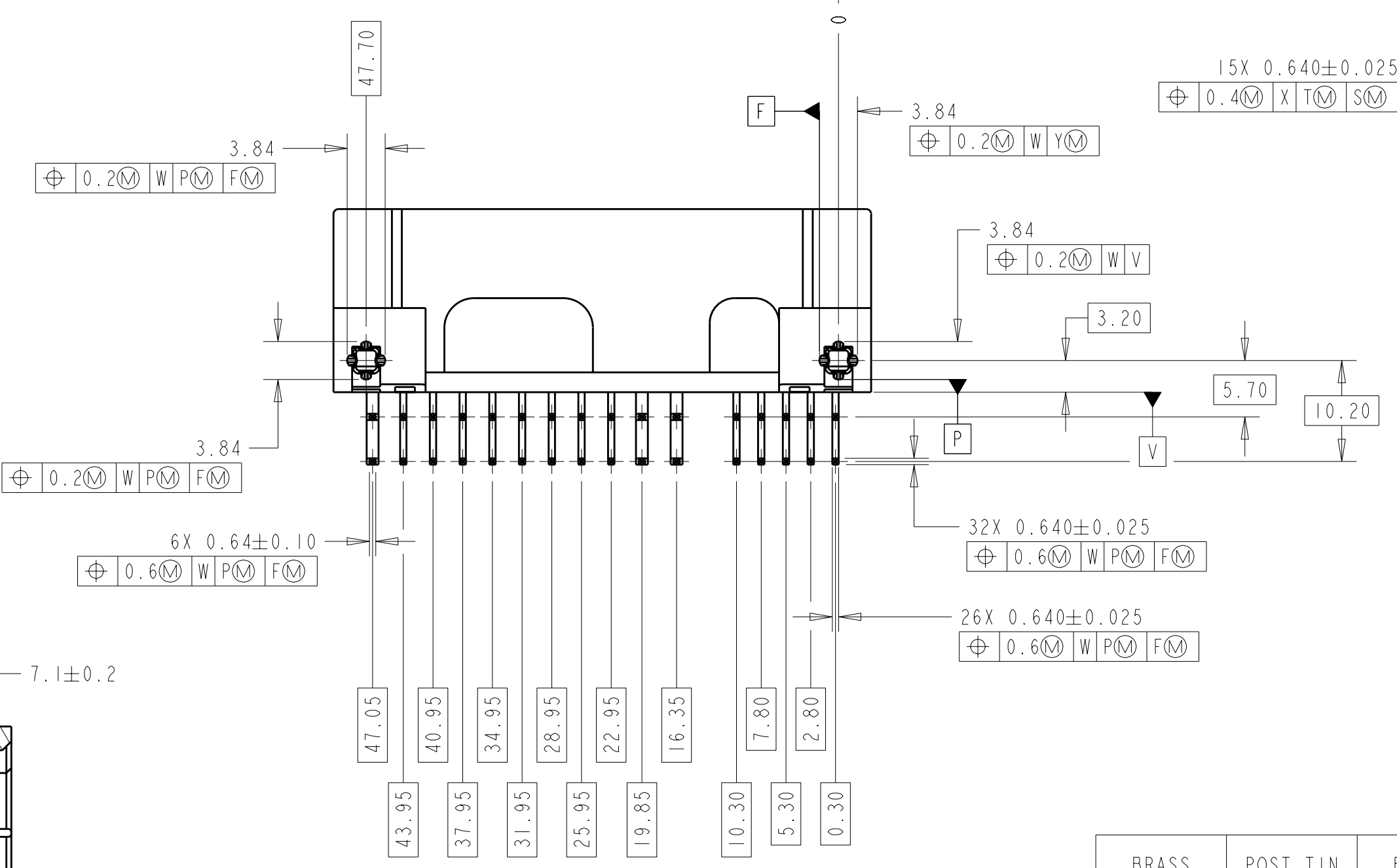
DETAIL E  
SCALE 4:1



P.C. BOARD LAYOUT  
COMPONENT SIDE  
(RECOMMENDED BOARD THICKNESS 1.57mm)



SECTION B-B  
SCALE 2:1  
(.040 TABS)



MATERIAL	FINISH	MATERIAL	FINISH	MATERIAL	COLOR	PART NUMBER
BRASS	POST TIN	BRASS	TIN OVER NICKEL	PBT	BLACK	9-2035312-2
BOARDLOCK		CONTACT		HOUSING		
DIMENSIONS: mm TOLERANCES UNLESS OTHERWISE SPECIFIED: 9 PLC ±0.3 1 PLC ±0.3 5 PLC ±0.15 4 PLC ± ANGLES ±°						
MATERIAL SEE TABLE		FINISH SEE TABLE		WEIGHT CUSTOMER DRAWING		
DWN: R. VESTAL 13JUN2008 CHK: M. SCHANEWOLF 13JUN2008 APVD: M. SCHANEWOLF 13JUN2008				Tyco Electronics Harrisburg, PA 17105-3608		
NAME: CAP ASSEMBLY, 040/070, 32 POSITION, WITH BOARDLOCKS				SIZE: CAGE CODE: DRAWING NO: 108-5342 SCALE: 2:1 SHEET 1 OF 1 REV: A1		