



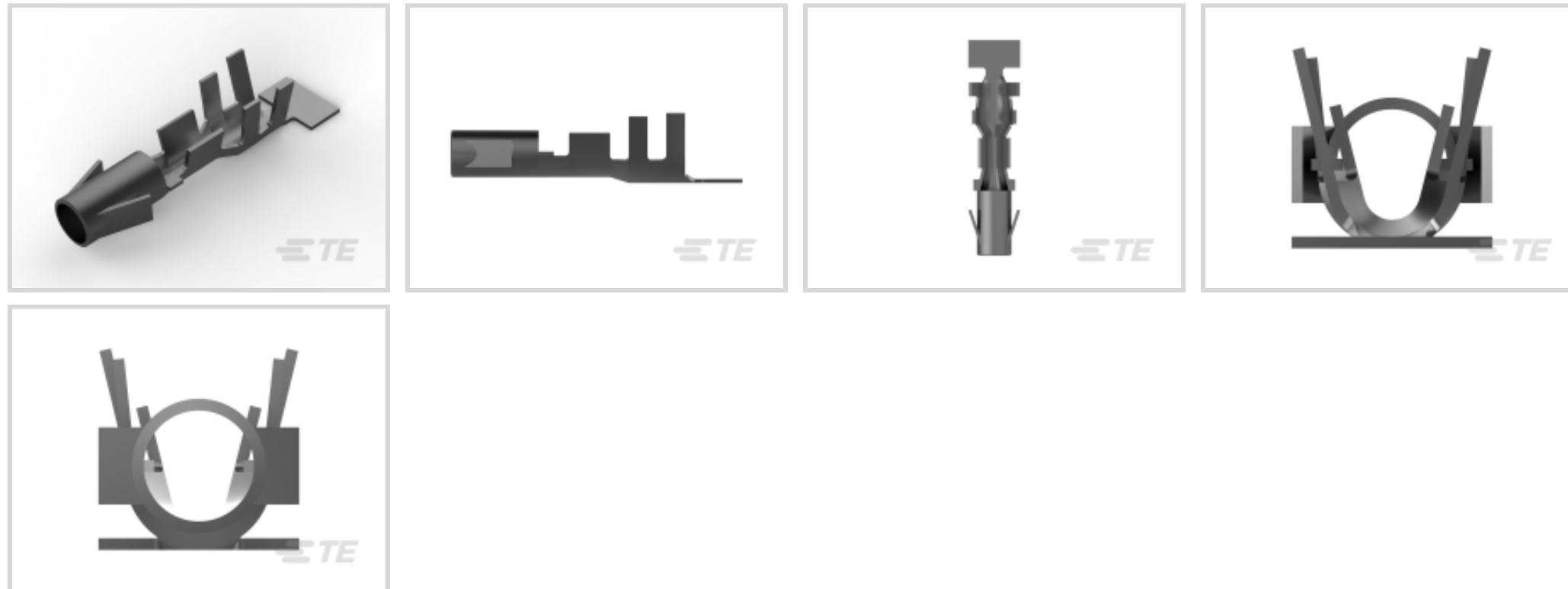
MATE-N-LOK | Commercial MATE-N-LOK

TE Internal #: 880687-2

Socket Contact, 17 – 13 AWG, 250 VAC, 1 – 2.5 mm² Wire, Locking Lance Contact Retention, Tin (Sn), Crimp, Phosphor Bronze, Commercial MATE-N-LOK

[View on TE.com >](#)

Connectors > Contacts > Connector Contacts



Contact Type: **Socket**

Contact Mating Area Plating Material: **Tin (Sn)**

Wire Contact Termination Area Plating Material: **Tin**

Operating Voltage: **250 VAC**

Contact Retention Within Housing: **With**

Features

Electrical Characteristics

Operating Voltage	250 VAC
-------------------	---------

Contact Features

Contact Type	Socket
Contact Mating Area Plating Material	Tin (Sn)
Wire Contact Termination Area Plating Material	Tin
Contact Retention Within Housing	With
Contact Base Material	Phosphor Bronze
Contact Current Rating (Max)	17 A
Mating Pin Diameter	3.56 mm[.14 in]
Wire Contact Termination Area Plating Material Finish	Matte
Contact Orientation	Straight

Termination Features

Termination Method to Wire & Cable	Crimp
Product Terminates To	Wire & Cable



Mechanical Attachment

Contact Retention Type Within Housing	Locking Lance
Wire Insulation Support	Without

Dimensions

Wire Size	1 – 2.5 mm ²
Compatible Insulation Diameter Range	2.7 – 4 mm [.106 – .157 in]

Usage Conditions

Operating Temperature Range	-55 – 105 °C [-67 – 221 °F]
-----------------------------	-----------------------------

Operation/Application

Circuit Application	Power
---------------------	-------

Packaging Features

Packaging Quantity	2500
Packaging Method	Reel

Product Compliance

[For compliance documentation, visit the product page on TE.com>](#)

EU RoHS Directive 2011/65/EU	Compliant
EU ELV Directive 2000/53/EC	Compliant
China RoHS 2 Directive MIIT Order No 32, 2016	No Restricted Materials Above Threshold
EU REACH Regulation (EC) No. 1907/2006	Current ECHA Candidate List: JAN 2025 (247) Candidate List Declared Against: JAN 2025 (247) Does not contain REACH SVHC
Halogen Content	Low Halogen - Br, Cl, F, I < 900 ppm per homogenous material. Also BFR/CFR/PVC Free
Solder Process Capability	Not applicable for solder process capability

Product Compliance Disclaimer

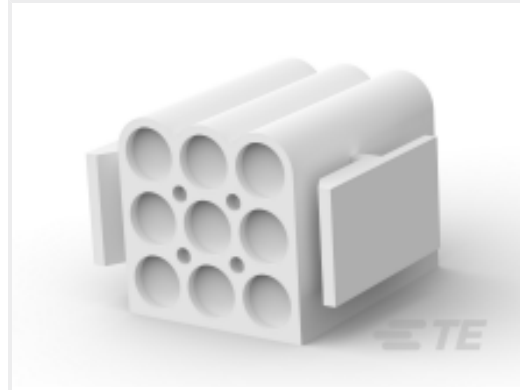
This information is provided based on reasonable inquiry of our suppliers and represents our current actual knowledge based on the information they provided. This information is subject to change. The part numbers that TE has identified as EU RoHS compliant have a maximum concentration of 0.1% by weight in homogenous materials for lead, hexavalent chromium, mercury, PBB, PBDE, DBP, BBP, DEHP, DIBP, and 0.01% for cadmium, or qualify for an exemption to these limits as defined in the Annexes of Directive 2011/65/EU (RoHS2). Finished electrical and electronic equipment products will be CE marked as required by Directive 2011/65/EU. Components may not be CE marked. Additionally, the part numbers that TE has identified as EU ELV compliant have a maximum concentration of 0.1% by weight in homogenous materials for lead, hexavalent chromium, and mercury, and 0.01% for cadmium, or qualify for an exemption to these limits as defined in the Annexes of Directive 2000/53/EC (ELV). Regarding the REACH Regulation, the information TE provides

on SVHC in articles for this part number is based on the latest European Chemicals Agency (ECHA) 'Guidance on requirements for substances in articles' posted at this URL: <https://echa.europa.eu/guidance-documents/guidance-on-reach>

Compatible Parts



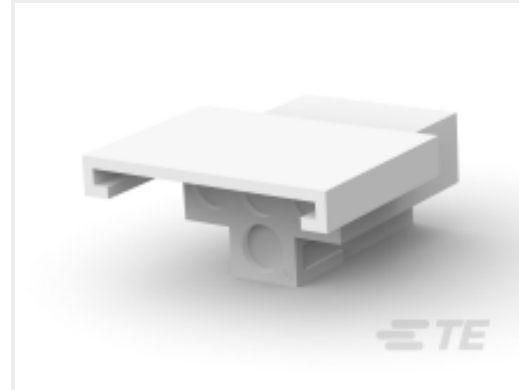
TE Part # 1-480672-0
09P .140 MNL PLUG PM NAT



TE Part # 1-480585-0
09P .140 MNL PLUG NAT



TE Part # 925451-1
M-N-L SOCKET HSG



TE Part # 1-480510-0
04P .140 MNL PLUG NAT



TE Part # 1-480672-9
09P .140 MNL PLUG PM BLK



TE Part # 1-350346-0
03P .140 MNL PLUG P/M NAT



TE Part # 1-350344-0
02P .140 MNL PLUG NAT

Also in the Series | Commercial MATE-N-LOK



Connector Contacts(150)



Crimp Wire Pins, Tabs & Ferrules(2)



Power Contacts(146)



Rectangular Connector Housings(118)



Rectangular Power Connectors(181)

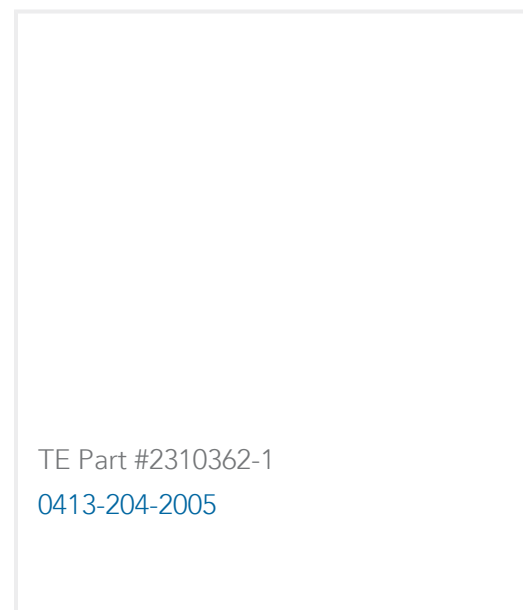
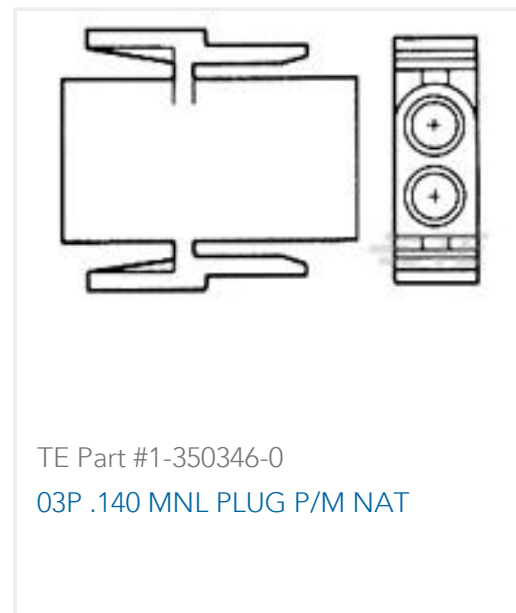


Standard Circular Connectors(2)



Standard Rectangular Connectors(126)

Customers Also Bought



Documents

Product Drawings

[.140 DIA SOCKET](#)

English

CAD Files

Customer View Model

[ENG_CVM_880687-2_C.3d_igs.zip](#)

English

Customer View Model

[ENG_CVM_880687-2_C.3d_stp.zip](#)

English

Customer View Model

[ENG_CVM_880687-2_C.2d_dxf.zip](#)

English

[3D PDF](#)

English

[3D PDF](#)

3D



Customer View Model

[ENG_CVM_CVM_880687-2_E.2d_dxf.zip](#)

English

Customer View Model

[ENG_CVM_CVM_880687-2_E.3d_igs.zip](#)

English

Customer View Model

[ENG_CVM_CVM_880687-2_E.3d_stp.zip](#)

English

By downloading the CAD file I accept and agree to the [Terms and Conditions](#) of use.

Product Specifications

[Product Specification](#)

English