

826140-1 ✓ ACTIVE



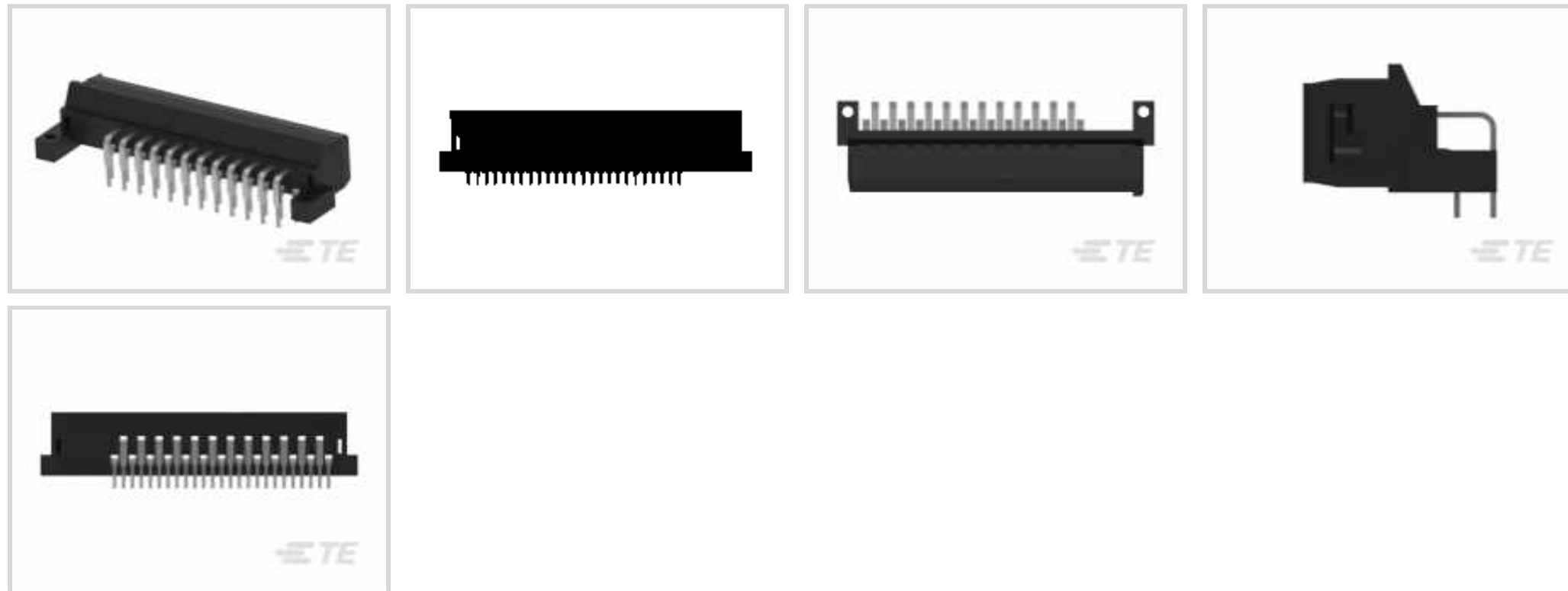
### Timer Connector System

TE Internal #: 826140-1

PCB Mount Header, Horizontal, Wire-to-Board, 25 Position, 5 mm [.197 in] Centerline, Fully Shrouded, Tin, Timer Connector System

[View on TE.com >](#)

Connectors > PCB Connectors > PCB Headers & Receptacles > Low & Medium Power Header



Connector System: **Wire-to-Board**

Number of Positions: **25**

Centerline (Pitch): **5 mm [.197 in]**

Sealable: **No**

PCB Mount Orientation: **Horizontal**

[All Low & Medium Power Header \(152\)](#)

## Features

### Product Type Features

Hybrid Header	No
Connector Shape	Rectangular
PCB Connector Assembly Type	PCB Mount Header
Header Type	Fully Shrouded
Connector System	Wire-to-Board
Sealable	No
Connector & Contact Terminates To	Printed Circuit Board

### Configuration Features

Number of Sections	1
Number of Signal Positions	25
Number of Positions	25
PCB Mount Orientation	Horizontal
Number of Rows	2



### Body Features

Primary Product Color	Black
-----------------------	-------

### Contact Features

Contact Size	3mm
Contact Type	Tab
Mating Tab Width	3 mm [.118 in]
Mating Tab Thickness	.8 mm [.031 in]
Contact Mating Area Plating Material	Tin

### Termination Features

Termination Method to Printed Circuit Board	Through Hole - Solder
---	-----------------------

### Mechanical Attachment

Mounting Holes	With
Mating Retention	With
Mating Alignment	With
PCB Mount Alignment	Without
Panel Mount Feature	Without
PCB Mount Retention	With
PCB Mount Retention Type	Mounting Hole
Mating Retention Type	Locking Interface

### Housing Features

Centerline (Pitch)	5 mm [.197 in]
--------------------	----------------

### Dimensions

Connector Length	88.9 mm [3.5 in]
Connector Width	26.6 mm [1.047 in]
PCB Thickness (Recommended)	1.6 mm [.063 in]
Profile Height from PCB	17.7 mm [.697 in]

### Operation/Application

Shielded	No
Circuit Application	Signal

### Industry Standards

UL Flammability Rating	UL 94HB
------------------------	---------

### Packaging Features



Packaging Type	Loose Piece
----------------	-------------

**Other**

Interface Number	925470
------------------	--------

**Product Compliance**

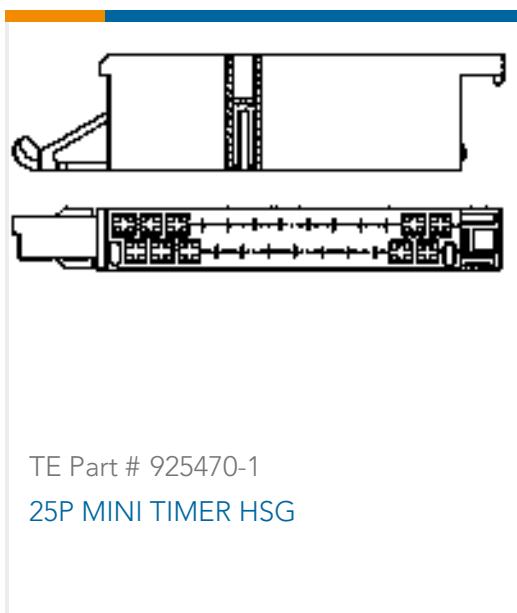
[For compliance documentation, visit the product page on TE.com>](#)

EU RoHS Directive 2011/65/EU	Compliant
EU ELV Directive 2000/53/EC	Compliant
China RoHS 2 Directive MIIT Order No 32, 2016	No Restricted Materials Above Threshold
EU REACH Regulation (EC) No. 1907/2006	Current ECHA Candidate List: JUNE 2022 (224) Candidate List Declared Against: JUNE 2022 (224) Does not contain REACH SVHC
Halogen Content	BFR/CFR/PVC Free, but Br/Cl >900 ppm in other sources.
Solder Process Capability	Not applicable for solder process capability

**Product Compliance Disclaimer**

This information is provided based on reasonable inquiry of our suppliers and represents our current actual knowledge based on the information they provided. This information is subject to change. The part numbers that TE has identified as EU RoHS compliant have a maximum concentration of 0.1% by weight in homogenous materials for lead, hexavalent chromium, mercury, PBB, PBDE, DBP, BBP, DEHP, DIBP, and 0.01% for cadmium, or qualify for an exemption to these limits as defined in the Annexes of Directive 2011/65/EU (RoHS2). Finished electrical and electronic equipment products will be CE marked as required by Directive 2011/65/EU. Components may not be CE marked. Additionally, the part numbers that TE has identified as EU ELV compliant have a maximum concentration of 0.1% by weight in homogenous materials for lead, hexavalent chromium, and mercury, and 0.01% for cadmium, or qualify for an exemption to these limits as defined in the Annexes of Directive 2000/53/EC (ELV). Regarding the REACH Regulation, the information TE provides on SVHC in articles for this part number is based on the latest European Chemicals Agency (ECHA) 'Guidance on requirements for substances in articles' posted at this URL: <https://echa.europa.eu/guidance-documents/guidance-on-reach>

**Compatible Parts**



Also in the Series | [Timer Connector System](#)



Automotive Connector Caps & Covers (11)



Automotive Connector Locks & Position Assurance(16)



Automotive Housings(218)



Automotive Seals & Cavity Plugs(31)



Automotive Terminals(131)



Crimp Terminal Housings(13)



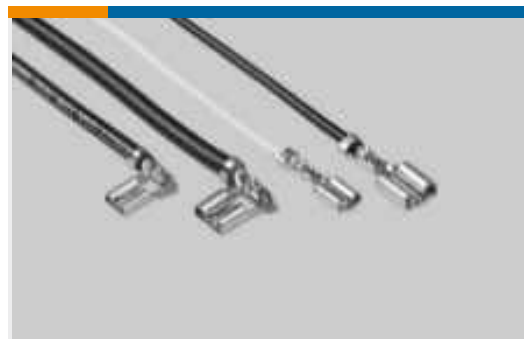
Insertion & Extraction Tools(20)



Other Automotive Connector Accessories(1)



PCB Headers & Receptacles(78)



Quick Disconnects(4)

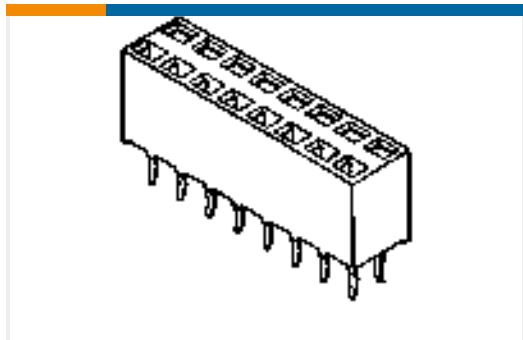
## Customers Also Bought



TE Part #W2P  
WEDGE LOCK, 2P, REC, GRN, DT



TE Part #188275-8  
MICRO-MATCH SMD FTE



TE Part #2-215307-0  
2X20P HV100 REC CON. TE, 7.0MM



TE Part #1-1825137-6  
A103SYCQ04



TE Part #DT6P-BT  
BOOT, 6P, REC, ST, GRY



TE Part #304Z-05502  
Speed sen DSE EH20.19 AHZ



TE Part #3742607441  
Speed sen DSY EH35.31 PHR

## Documents



### Product Drawings

#### 25P M.T.TAB HOUSING

English

---

### CAD Files

#### Customer View Model

[ENG\\_CVM\\_826140-1\\_K.3d\\_igs.zip](#)

English

#### 3D PDF

English

#### Customer View Model

[ENG\\_CVM\\_826140-1\\_K.3d\\_stp.zip](#)

English

#### Customer View Model

[ENG\\_CVM\\_826140-1\\_K.2d\\_dxf.zip](#)

English

By downloading the CAD file I accept and agree to the [Terms and Conditions](#) of use.

---

### Product Specifications

#### Product Specification

English