

# RC112-0.6-6M8 ✓ ACTIVE

Schaffner | Schaffner RC-Series

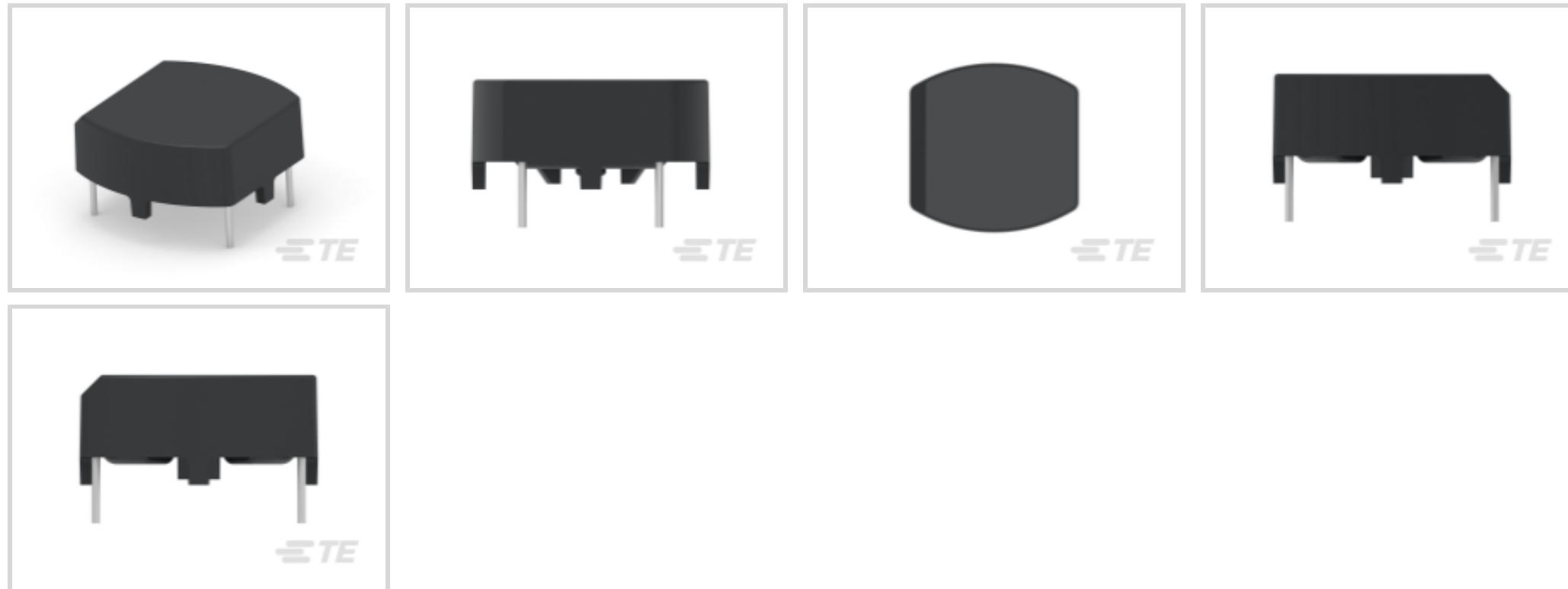
TE Internal #: 819701-SF

250 VDC, .6 A, PCB Terminal, PD2 Pollution Degree, IP00,  
Horizontal, UL 94V-0, Board Mount, Schaffner RC-Series, EMC  
Chokes

[View on TE.com >](#)



EMI & EMC Solutions > EMC Chokes > EMC/RFI Chokes RB Series: Current-Compensated Chokes for High-Performance Filtering



Operating Voltage (Max): 250 VDC

Current Rating (Max): .6 A

Input Termination Type: PCB Terminal

Output Termination Type: PCB Terminal

Pollution Degree: PD2

[All EMC/RFI Chokes RB Series: Current-Compensated Chokes for High-Performance Filtering \(14\)](#)

## Features

### Product Type Features

|                         |              |
|-------------------------|--------------|
| Input Termination Type  | PCB Terminal |
| Output Termination Type | PCB Terminal |

### Electrical Characteristics

|                         |         |
|-------------------------|---------|
| Overvoltage Category    | II      |
| Operating Voltage (Max) | 250 VDC |
| Current Rating (Max)    | .6 A    |

### Body Features

|                     |               |
|---------------------|---------------|
| Product Weight      | 3 g [.106 oz] |
| Product Orientation | Horizontal    |

### Mechanical Attachment

|                    |             |
|--------------------|-------------|
| Product Mount Type | Board Mount |
|--------------------|-------------|

### Dimensions

|                |                 |
|----------------|-----------------|
| Product Width  | 17.5 mm[.68 in] |
| Product Length | 17.5 mm[.68 in] |
| Product Height | 8 mm[.31 in]    |

### Usage Conditions

|                             |                            |
|-----------------------------|----------------------------|
| Operating Temperature Range | -40 – 125 °C[-40 – 257 °F] |
|-----------------------------|----------------------------|

### Operation/Application

|                |                    |
|----------------|--------------------|
| Cooling Method | Natural Convection |
|----------------|--------------------|

### Industry Standards

|                        |                |
|------------------------|----------------|
| Certified To           | IEC/EN 60938-2 |
| Pollution Degree       | PD2            |
| IP Rating              | IP00           |
| UL Flammability Rating | UL 94V-0       |

### Product Compliance

[For compliance documentation, visit the product page on TE.com>](#)

|   |  |
|---|--|
| EU RoHS Directive 2011/65/EU                  | Compliant  |
| EU ELV Directive 2000/53/EC                   | Not Yet Reviewed   |
| China RoHS 2 Directive MIIT Order No 32, 2016 | 有害物质含量符合标准要求 No Restricted Substance(s) Above Threshold          |
| EU REACH Regulation (EC) No. 1907/2006        | Current ECHA Candidate List: JUNE 2025 (250)<br>Not Yet Reviewed |
| Halogen Content                               | Not Yet Reviewed for halogen content                             |
| Solder Process Capability                     | Not reviewed for solder process capability                       |

#### Product Compliance Disclaimer

This information is provided based on reasonable inquiry of our suppliers and represents our current actual knowledge based on the information they provided. This information is subject to change. The part numbers that TE has identified as EU RoHS compliant have a maximum concentration of 0.1% by weight in homogenous materials for lead, hexavalent chromium, mercury, PBB, PBDE, DBP, BBP, DEHP, DIBP, and 0.01% for cadmium, or qualify for an exemption to these limits as defined in the Annexes of Directive 2011/65/EU (RoHS2). Finished electrical and electronic equipment products will be CE marked as required by Directive 2011/65/EU. Components may not be CE marked. Additionally, the part numbers that TE has identified as EU ELV compliant have a maximum concentration of 0.1% by weight in homogenous materials for lead, hexavalent chromium, and mercury, and 0.01% for cadmium, or qualify for an exemption to these limits as defined in the Annexes of Directive 2000/53/EC (ELV). Regarding the REACH Regulations, TE's information on SVHC in articles for this part number is still based on the European Chemical Agency (ECHA) 'Guidance on requirements for substances in articles' (Version: 2, April 2011), applying the 0.1% weight on weight concentration threshold at the finished product level. TE is aware of the European Court of Justice ruling of September 10th, 2015 also known as O5A (Once An Article Always An Article) stating that, in case of 'complex object', the threshold for a SVHC must be applied to both the product as a whole and simultaneously to each of the articles forming part of its composition. TE has evaluated this ruling based on the new ECHA "Guidance on requirements for substances in articles" (June 2017, version 4.0) and will be updating its statements accordingly.

## Compatible Parts



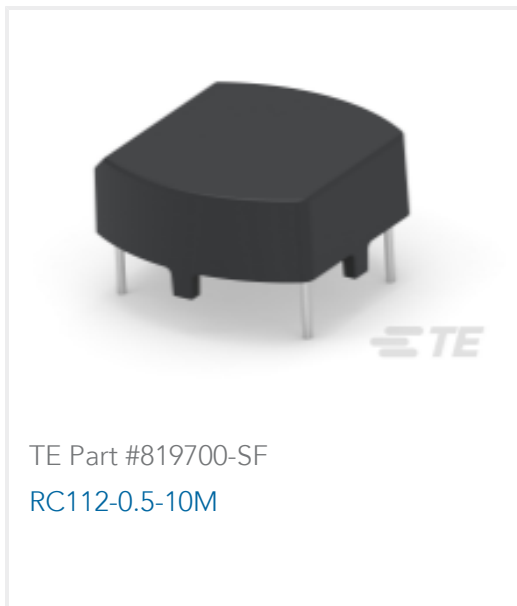
TE Part # CAT-PA3-RC  
EMC/RFI Chokes RB Series: Current-Compensated Chokes for High-Performance Filtering

## Also in the Series | Schaffner RC-Series



EMC Chokes(14)

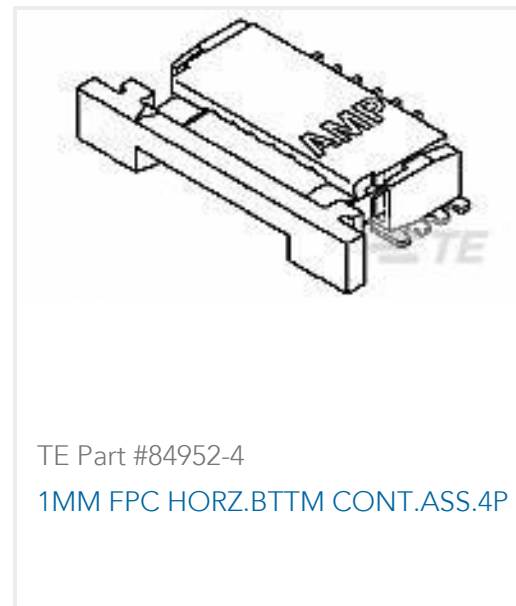
## Customers Also Bought



TE Part #819700-SF  
RC112-0.5-10M



TE Part #CAT-PA3-RN  
EMC / RFI Chokes RN Series



TE Part #84952-4  
1MM FPC HORZ.BTTM CONT.ASS.4P



TE Part #1-1393239-3  
RT114024



TE Part #1415390-1  
PE014F03



TE Part #2344655-1  
PCB ANT, MHF, 50mm, Wi-Fi TRIPLE BAND



TE Part #2344657-5  
FPC ANTENNA, MHF4, 50mm, Wi-Fi TRIPLE



TE Part #2344657-7  
FPC ANTENNA, MHF4, 150mm, Wi-Fi TRIPLE



## Documents

### CAD Files

Customer View Model

[ENG\\_CVM\\_CVM\\_819701-SF\\_B.3d\\_igs.zip](#)

English

Customer View Model

[ENG\\_CVM\\_CVM\\_819701-SF\\_B.2d\\_dxf.zip](#)

English

**3D PDF**

3D

Customer View Model

[ENG\\_CVM\\_CVM\\_819701-SF\\_B.3d\\_stp.zip](#)

English

By downloading the CAD file I accept and agree to the [Terms and Conditions](#) of use.

### Datasheets & Catalog Pages

[RFI Chokes RC series](#)

English

### Agency Approvals

[VDE Certificate](#)

English