

RN114-1.2-02-10M ✓ ACTIVE

Schaffner | Schaffner RN-Series

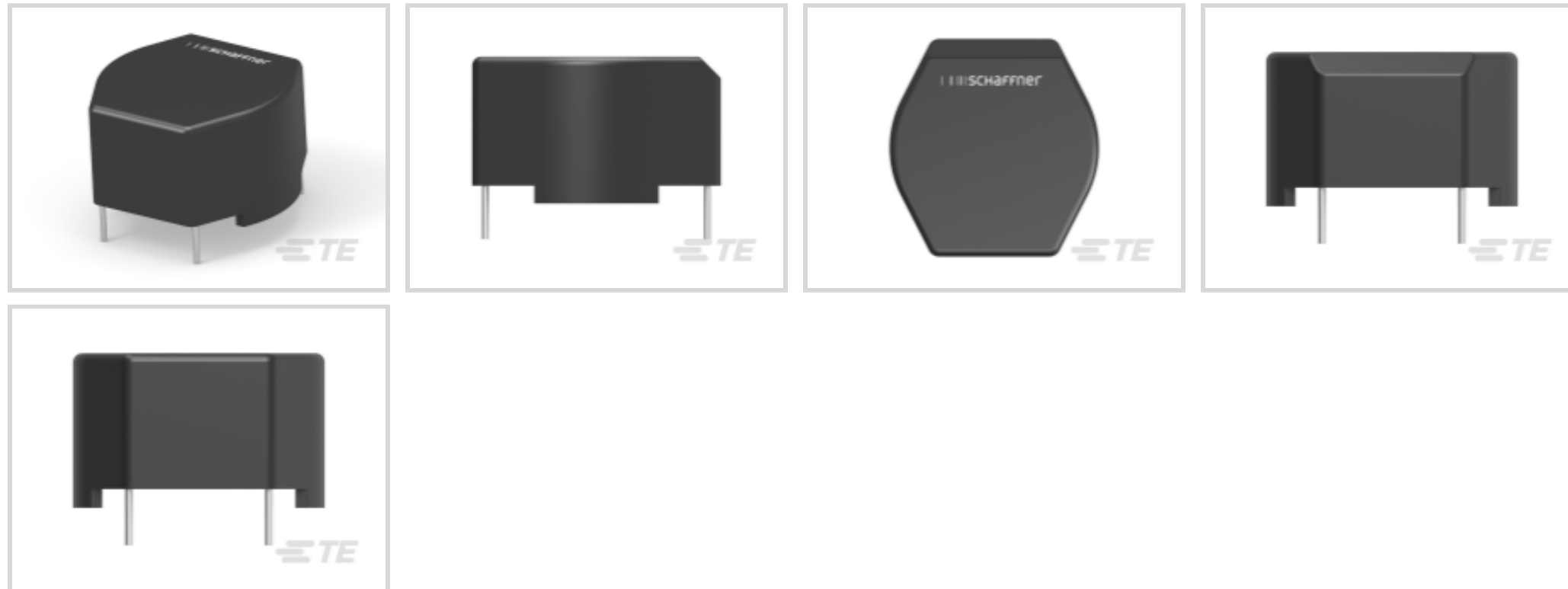
TE Internal #: 816500-SF

300 VDC, 1.2 A, PCB Terminal, PD2 Pollution Degree, IP00,
Horizontal, UL 94V-0, Board Mount, Schaffner RN-Series, EMC
Chokes

[View on TE.com >](#)



EMI & EMC Solutions > EMC Chokes > EMC / RFI Chokes RN Series



Operating Voltage (Max): 300 VDC

Current Rating (Max): 1.2 A

Input Termination Type: PCB Terminal

Output Termination Type: PCB Terminal

Pollution Degree: PD2

[All EMC / RFI Chokes RN Series \(149\)](#)

Features

Product Type Features

Input Termination Type	PCB Terminal
Output Termination Type	PCB Terminal

Electrical Characteristics

Overvoltage Category	II
Operating Voltage (Max)	300 VDC
Current Rating (Max)	1.2 A

Body Features

Product Weight	10 g [.35 oz]
Product Orientation	Horizontal

Mechanical Attachment

Product Mount Type	Board Mount
--------------------	-------------

Dimensions



Product Width	21.5 mm[.84 in]
Product Length	22.5 mm[.88 in]
Product Height	13.2 mm[.51 in]

Usage Conditions

Operating Temperature Range	-40 – 100 °C[-40 – 212 °F]
-----------------------------	----------------------------

Operation/Application

Cooling Method	Natural Convection
----------------	--------------------

Industry Standards

Certified To	IEC/EN 60938-1, UL 1283
Pollution Degree	PD2
IP Rating	IP00
UL Flammability Rating	UL 94V-0

Product Compliance

[For compliance documentation, visit the product page on TE.com>](#)

EU RoHS Directive 2011/65/EU	Compliant
EU ELV Directive 2000/53/EC	Not Yet Reviewed
China RoHS 2 Directive MIIT Order No 32, 2016	有害物质含量符合标准要求 No Restricted Substance(s) Above Threshold
EU REACH Regulation (EC) No. 1907/2006	Current ECHA Candidate List: JUNE 2025 (250) Not Yet Reviewed
Halogen Content	Not Yet Reviewed for halogen content
Solder Process Capability	Not reviewed for solder process capability

Product Compliance Disclaimer

This information is provided based on reasonable inquiry of our suppliers and represents our current actual knowledge based on the information they provided. This information is subject to change. The part numbers that TE has identified as EU RoHS compliant have a maximum concentration of 0.1% by weight in homogenous materials for lead, hexavalent chromium, mercury, PBB, PBDE, DBP, BBP, DEHP, DIBP, and 0.01% for cadmium, or qualify for an exemption to these limits as defined in the Annexes of Directive 2011/65/EU (RoHS2). Finished electrical and electronic equipment products will be CE marked as required by Directive 2011/65/EU. Components may not be CE marked. Additionally, the part numbers that TE has identified as EU ELV compliant have a maximum concentration of 0.1% by weight in homogenous materials for lead, hexavalent chromium, and mercury, and 0.01% for cadmium, or qualify for an exemption to these limits as defined in the Annexes of Directive 2000/53/EC (ELV). Regarding the REACH Regulations, TE's information on SVHC in articles for this part number is still based on the European Chemical Agency (ECHA) 'Guidance on requirements for substances in articles' (Version: 2, April 2011), applying the 0.1% weight on weight concentration threshold at the finished product level. TE is aware of the European Court of Justice ruling of September 10th, 2015 also known as O5A (Once An Article Always An Article) stating that, in case of 'complex object', the threshold for a SVHC must be applied to both the product as a whole and simultaneously to each of the articles forming part of its composition. TE has evaluated this ruling based on the new ECHA "Guidance on requirements for substances in articles" (June 2017, version 4.0) and will be updating its statements accordingly.

Compatible Parts



TE Part # CAT-PA3-RN
EMC / RFI Chokes RN Series

Also in the Series | Schaffner RN-Series



EMC Chokes(149)

Customers Also Bought



TE Part #816548-SF
RN214-0.3-02-47M



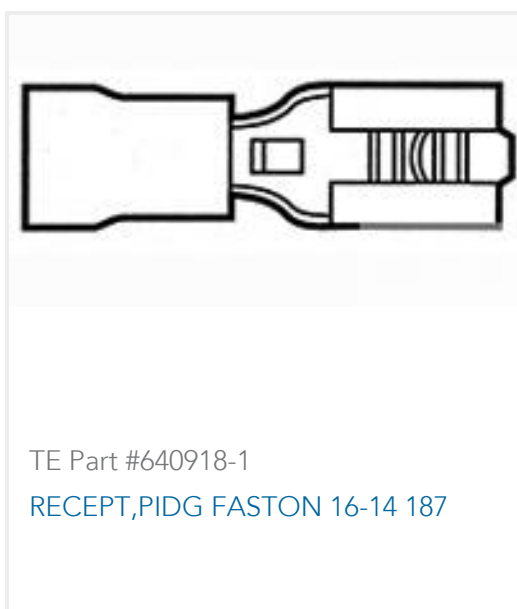
TE Part #801058-SF
EV24-2.0-02-2M5



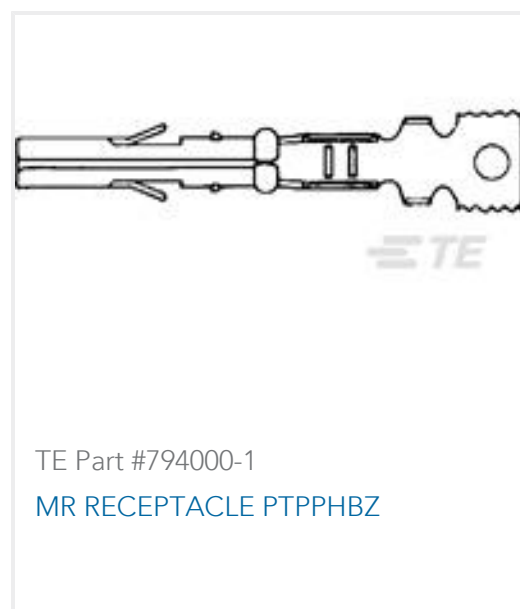
TE Part #822539-SF
ED100-1.25-7M0



TE Part #350373-1
06P STR/REL HSG HNGD



TE Part #640918-1
RECEPT,PIDG FASTON 16-14 187



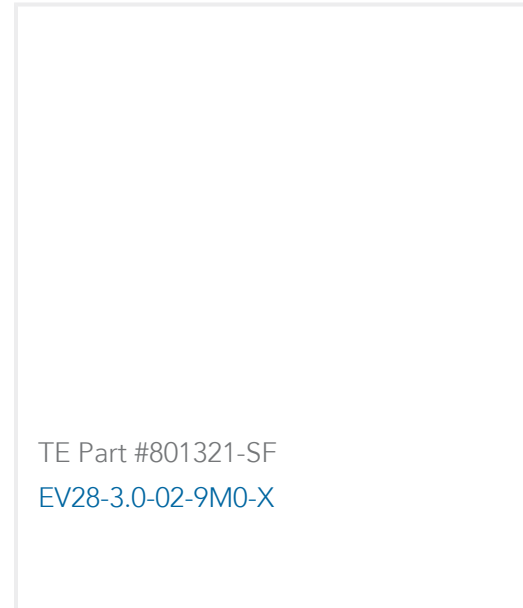
TE Part #794000-1
MR RECEPTACLE PTPPHBZ



TE Part #3-794630-2
02P MICRO MNL ASSY,VRT,HDR,LF



TE Part #1571610-2
Sealed R/A Tact switch, Sealed



Documents

CAD Files

[3D PDF](#)

3D

Customer View Model

[ENG_CVM_CVM_816500-SF_B.3d_stp.zip](#)

English

Customer View Model

[ENG_CVM_CVM_816500-SF_B.2d_dxf.zip](#)

English

Customer View Model

[ENG_CVM_CVM_816500-SF_B.3d_igs.zip](#)

English

By downloading the CAD file I accept and agree to the [Terms and Conditions](#) of use.

Datasheets & Catalog Pages

[RFI Chokes RN series](#)

English

Agency Approvals

[VDE_40045884](#)

English