



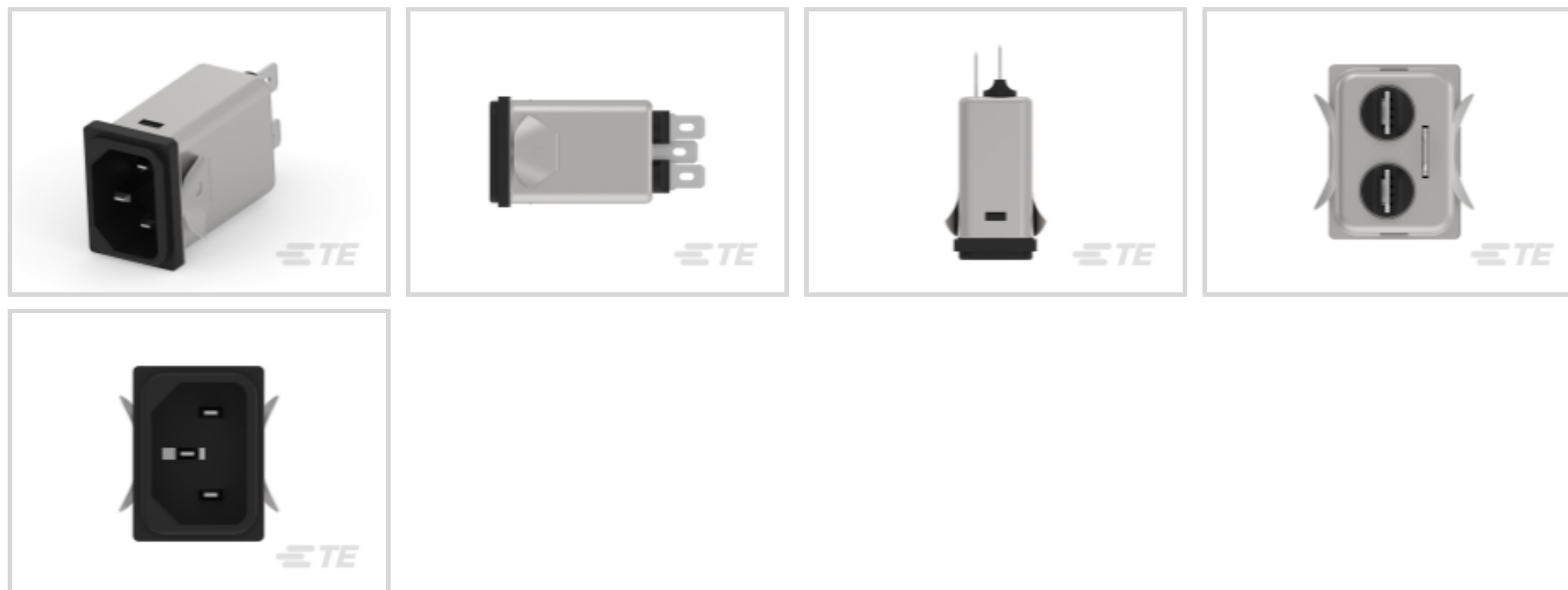
Schaffner | Schaffner FN9222

TE Internal #: 803034-SF

10 A, Filtered, 180  $\mu$ A Leakage Current @ 250VAC, 50Hz, FASTON, 310  $\mu$ A Leakage Current @ 120VAC, 60Hz, IP40, UL 94V-0, Schaffner FN9222, Inlet Filters

[View on TE.com >](#)

EMI & EMC Solutions > IEC Inlets > Inlet Filters > FN9222 / FN9222E IEC Inlet Filters – Compact EMC Solutions with Optional Earth Line Choke



Filtering Requirements: **Filtered**

Current Rating (Max): **10 A**

Output Termination Type: **FASTON**

IP Rating: **IP40**

UL Flammability Rating: **UL 94V-0**

[All FN9222 / FN9222E IEC Inlet Filters – Compact EMC Solutions with Optional Earth Line Choke \(245\)](#)

## Features

### Product Type Features

Filter Type	IEC Inlet Filter
Level Of Filtering	Inductor & Capacitor
Filtering Requirements	Filtered
Output Termination Type	FASTON

### Electrical Characteristics

Current Rating (Max)	10 A
Leakage Current (Max) (120VAC, 60Hz)	310 $\mu$ A
Leakage Current (Max) (250VAC, 50Hz)	180 $\mu$ A

### Operation/Application

Cooling Method	Natural Convection
----------------	--------------------

### Industry Standards

Certified To	CSA 22.2 No. 8 1986, IEC/EN 60939, UL
--------------	---------------------------------------



	1283
IP Rating	IP40
UL Flammability Rating	UL 94V-0

### Product Compliance

[For compliance documentation, visit the product page on TE.com>](#)

EU RoHS Directive 2011/65/EU	Compliant
EU ELV Directive 2000/53/EC	Not Yet Reviewed
China RoHS 2 Directive MIIT Order No 32, 2016	有害物质含量符合标准要求 No Restricted Substance(s) Above Threshold
EU REACH Regulation (EC) No. 1907/2006	Current ECHA Candidate List: JUNE 2025 (250) Not Yet Reviewed
Halogen Content	Not Yet Reviewed for halogen content
Solder Process Capability	Not reviewed for solder process capability

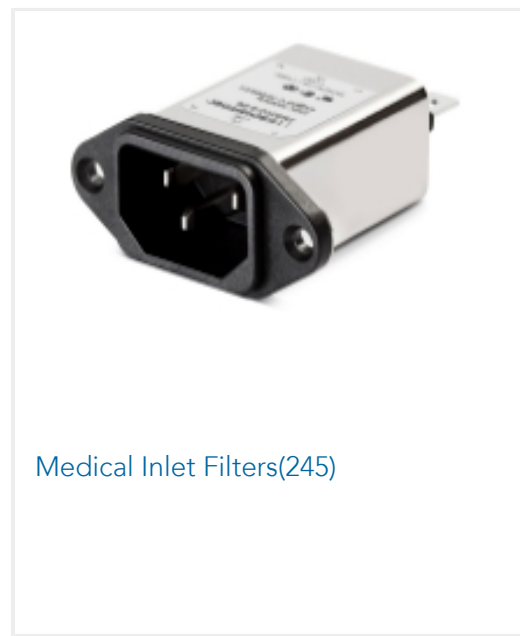
#### Product Compliance Disclaimer

This information is provided based on reasonable inquiry of our suppliers and represents our current actual knowledge based on the information they provided. This information is subject to change. The part numbers that TE has identified as EU RoHS compliant have a maximum concentration of 0.1% by weight in homogenous materials for lead, hexavalent chromium, mercury, PBB, PBDE, DBP, BBP, DEHP, DIBP, and 0.01% for cadmium, or qualify for an exemption to these limits as defined in the Annexes of Directive 2011/65/EU (RoHS2). Finished electrical and electronic equipment products will be CE marked as required by Directive 2011/65/EU. Components may not be CE marked. Additionally, the part numbers that TE has identified as EU ELV compliant have a maximum concentration of 0.1% by weight in homogenous materials for lead, hexavalent chromium, and mercury, and 0.01% for cadmium, or qualify for an exemption to these limits as defined in the Annexes of Directive 2000/53/EC (ELV). Regarding the REACH Regulations, TE's information on SVHC in articles for this part number is still based on the European Chemical Agency (ECHA) 'Guidance on requirements for substances in articles' (Version: 2, April 2011), applying the 0.1% weight on weight concentration threshold at the finished product level. TE is aware of the European Court of Justice ruling of September 10th, 2015 also known as O5A (Once An Article Always An Article) stating that, in case of 'complex object', the threshold for a SVHC must be applied to both the product as a whole and simultaneously to each of the articles forming part of its composition. TE has evaluated this ruling based on the new ECHA "Guidance on requirements for substances in articles" (June 2017, version 4.0) and will be updating its statements accordingly.

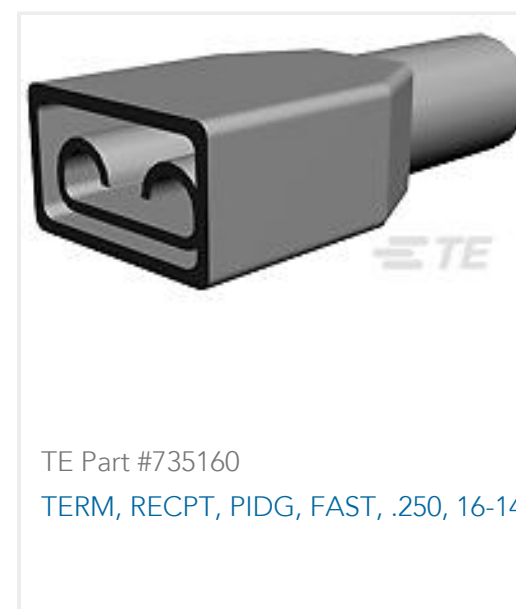
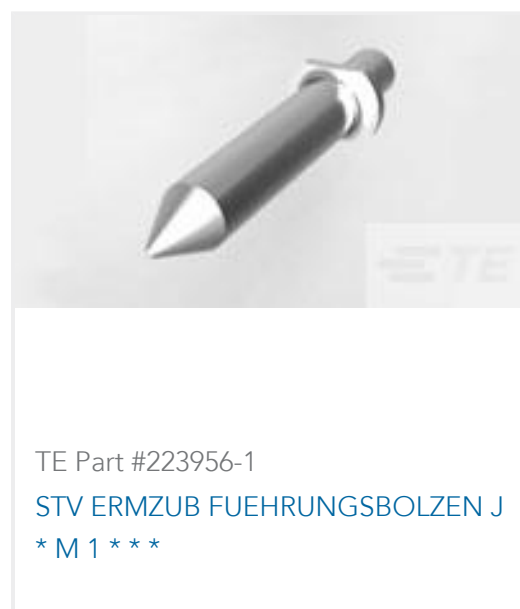
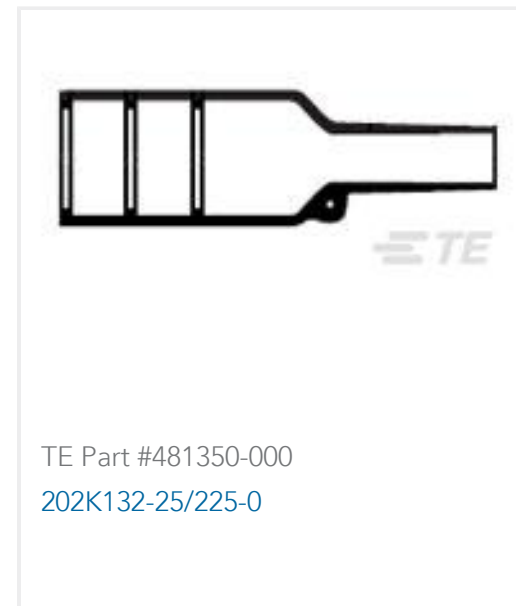
### Compatible Parts



Also in the Series | [Schaffner FN9222](#)



## Customers Also Bought



## Documents

### CAD Files

Customer View Model

[ENG\\_CVM\\_CVM\\_803034-SF\\_F.3d\\_stp.zip](#)

English

3D PDF

3D

Customer View Model

[ENG\\_CVM\\_CVM\\_803034-SF\\_F.2d\\_dxf.zip](#)



English

### Customer View Model

[ENG\\_CVM\\_CVM\\_803034-SF\\_F.3d\\_igs.zip](#)

English

By downloading the CAD file I accept and agree to the [Terms and Conditions](#) of use.

### Datasheets & Catalog Pages

[IEC Inlet Filters FN9222](#)

English

### Agency Approvals

[CB SE-93907](#)

English