



Schaffner | Schaffner FN2070

TE Internal #: 801359-SF

16 A Single Phase Filter, FASTON Input, FASTON Output, 250

VAC, Schaffner FN2070, Single Phase Filters

[View on TE.com >](#)

[EMI & EMC Solutions >](#) [EMC Filters >](#) [Power Line Filters >](#) [Single Phase Filters >](#)

High Performance Single Phase Filters FN2070, Multi stage Performance AC/DC EMC/RFI Filter



Current Rating: **16 A**

Input Termination Type: **FASTON**

Output Termination Type: **FASTON**

Leakage Current (Max) (120VAC, 60Hz): **.04 mA**

Leakage Current (Max) (250VAC, 50Hz): **.07 mA**

[All High Performance Single Phase Filters FN2070, Multi stage Performance AC/DC EMC/RFI Filter \(49\)](#)

Features

Product Type Features

Filtering Requirements	Unfiltered
Input Termination Type	FASTON
Output Termination Type	FASTON

Electrical Characteristics

Capacitance Cy1	.47
Inductance L1	2.8 μ H
Capacitance Cx1	1
Overvoltage Category	II
Current Rating	16 A
Leakage Current (Max) (120VAC, 60Hz)	.04 mA
Leakage Current (Max) (250VAC, 50Hz)	.07 mA
Operating Voltage	250 VAC

Body Features

Product Weight	750 g[26.45 oz]
----------------	-----------------

Mechanical Attachment

Product Mount Type	Chassis Mount
--------------------	---------------

Dimensions

Product Width	84.5 mm[3.32 in]
Product Length	98.5 mm[3.87 in]
Product Height	57.6 mm[2.26 in]

Usage Conditions

Operating Temperature Range	-25 – 100 °C[-13 – 212 °F]
-----------------------------	----------------------------

Operation/Application

Cooling Method	Natural Convection
Operating Altitude (Max)	2000 m

Industry Standards

IP Rating	IP00
UL Flammability Rating	UL 94V-0
Pollution Degree	PD2
Certified To	CSA 22.2 No. 8 1986, IEC/EN 60939, UL 1283

Product Compliance

[For compliance documentation, visit the product page on TE.com>](#)


EU RoHS Directive 2011/65/EU	Compliant
EU ELV Directive 2000/53/EC	Not Yet Reviewed
China RoHS 2 Directive MIIT Order No 32, 2016	有害物质含量符合标准要求 No Restricted Substance(s) Above Threshold
EU REACH Regulation (EC) No. 1907/2006	Current ECHA Candidate List: JUNE 2025 (250) Not Yet Reviewed
Halogen Content	Not Yet Reviewed for halogen content
Solder Process Capability	Not reviewed for solder process capability

Product Compliance Disclaimer

This information is provided based on reasonable inquiry of our suppliers and represents our current actual knowledge based on the information they provided. This information is subject to change. The part numbers that TE has identified as EU RoHS compliant have a maximum concentration of 0.1% by weight in homogenous materials for lead, hexavalent chromium, mercury, PBB, PBDE, DBP, BBP, DEHP, DIBP, and 0.01% for cadmium, or qualify for an exemption to these limits as defined in the Annexes of Directive 2011/65/EU (RoHS2). Finished electrical and electronic equipment products will be CE marked as required by Directive 2011/65/EU. Components may not be CE marked. Additionally, the part numbers that TE has identified as EU ELV compliant have a maximum concentration of 0.1% by weight in homogenous materials for lead, hexavalent chromium, and mercury, and 0.01% for cadmium, or qualify for an exemption to these limits as defined in the Annexes of Directive 2000/53/EC (ELV). Regarding the REACH Regulations, TE's information on SVHC in articles for this part number is still based on the European Chemical Agency (ECHA) 'Guidance on requirements for

substances in articles' (Version: 2, April 2011), applying the 0.1% weight on weight concentration threshold at the finished product level. TE is aware of the European Court of Justice ruling of September 10th, 2015 also known as O5A (Once An Article Always An Article) stating that, in case of 'complex object', the threshold for a SVHC must be applied to both the product as a whole and simultaneously to each of the articles forming part of its composition. TE has evaluated this ruling based on the new ECHA "Guidance on requirements for substances in articles" (June 2017, version 4.0) and will be updating its statements accordingly.

Compatible Parts

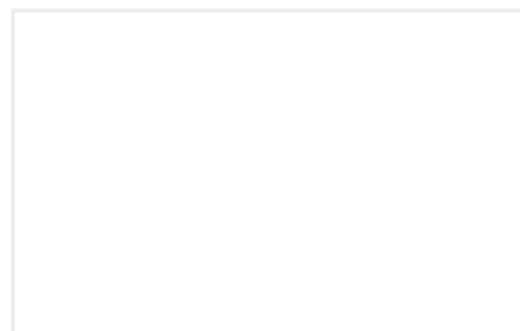


TE Part # CAT-P97-F2070
High Performance Single Phase Filters
FN2070, Multi stage Performance AC
/DC EMC/RFI Filter

Also in the Series | Schaffner FN2070



Medical Single Phase Filters(49)



Single Phase Filters(49)

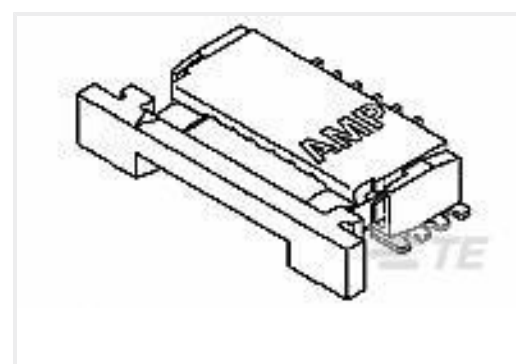
Customers Also Bought



TE Part #224395-E
SRCP 1,27 6 F 1 I2426 137 * 162 1,07
TRA



TE Part #814033-SF
FN9280E-10-06



TE Part #84952-8
1MM FPC HORZ.BTTM CONT.ASS.8P



TE Part #734185-1
WIRE STRIPPER .14-6.0mm2 ASSY



TE Part #8-1879125-6
RN 0402 100R 0.1% 10PPM 1K RL



TE Part #2176215-7
CPF A 0402 1K0 0.1% 25PPM 1K RL



TE Part #3-2176337-1
CRGQ 0402 3K3 1%



TE Part #2301997-5
RJ45 JACK INT.MAG. 10/100 LED 2X1



Documents

CAD Files

Customer View Model

[ENG_CVM_CVM_801359-SF_D.3d_igs.zip](#)

English

Customer View Model

[ENG_CVM_CVM_801359-SF_D.3d_stp.zip](#)

English

Customer View Model

[ENG_CVM_CVM_801359-SF_D.2d_dxf.zip](#)

English

3D PDF

3D

By downloading the CAD file I accept and agree to the [Terms and Conditions](#) of use.

Datasheets & Catalog Pages

[High Performance Single-Phase Filters FN2070](#)

English

Agency Approvals

[CB SE-107475](#)

English