



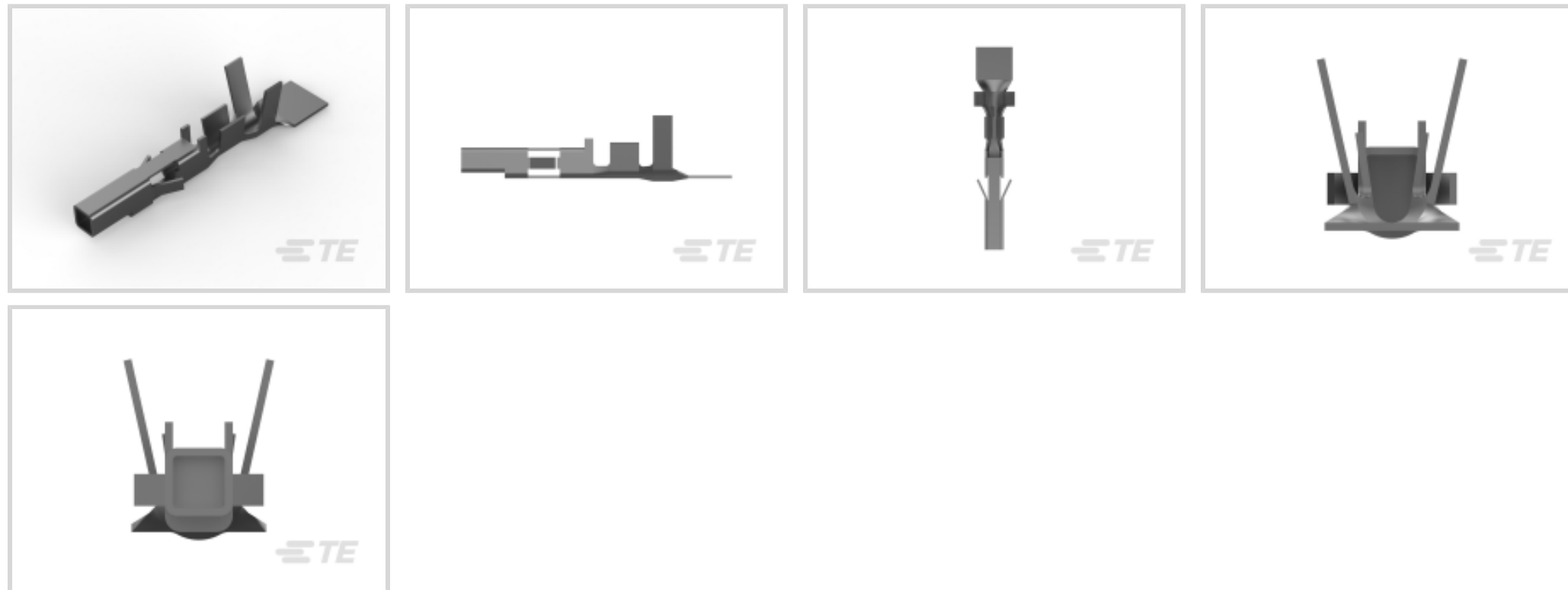
VAL-U-LOK

TE Internal #: 794956-5

Socket Contact, 22 – 18 AWG, 600 VAC, .3 – .82 mm² Wire, Tin (Sn), Crimp, Brass, Power, -40 – 105 °C [-40 – 221 °F]

[View on TE.com >](#)

Connectors > Contacts > Connector Contacts



Contact Type: **Socket**

Contact Mating Area Plating Material: **Tin (Sn)**

Wire Contact Termination Area Plating Material: **Pre-Tin**

Operating Voltage: **600 VAC**

Contact Retention Within Housing: **With**

Features

Electrical Characteristics

Operating Voltage	600 VAC
-------------------	---------

Contact Features

Contact Type	Socket
Contact Mating Area Plating Material	Tin (Sn)
Wire Contact Termination Area Plating Material	Pre-Tin
Contact Retention Within Housing	With
Contact Base Material	Brass
Contact Current Rating (Max)	9 A
Mating Square Post Dimension	1.14 mm[.045 in]
Contact Mating Area Plating Material Thickness	2.54 µm[100 µin]
Wire Contact Termination Area Plating Thickness	2.54 µm[100 µin]
Wire Contact Termination Area Plating Material Finish	Bright
Contact Orientation	Straight

Termination Features

--	--



Termination Method to Wire & Cable	Crimp
------------------------------------	-------

Product Terminates To	Wire & Cable
-----------------------	--------------

Mechanical Attachment

Wire Insulation Support	Without
-------------------------	---------

Dimensions

Wire Size	.3 – .82 mm ²
-----------	--------------------------

Compatible Insulation Diameter Range	1.5 – 3.1 mm [.059 – .122 in]
--------------------------------------	-------------------------------

Usage Conditions

Operating Temperature Range	-40 – 105 °C [-40 – 221 °F]
-----------------------------	-----------------------------

Operation/Application

Circuit Application	Power
---------------------	-------

Packaging Features

Packaging Method	Reel
------------------	------

Product Compliance

[For compliance documentation, visit the product page on TE.com>](#)

EU RoHS Directive 2011/65/EU	Compliant
------------------------------	-----------

EU ELV Directive 2000/53/EC	Compliant
-----------------------------	-----------

China RoHS 2 Directive MIIT Order No 32, 2016	No Restricted Materials Above Threshold
---	---

EU REACH Regulation (EC) No. 1907/2006	Current ECHA Candidate List: JAN 2025 (247) Candidate List Declared Against: JUNE 2024 (241) Does not contain REACH SVHC
--	--

Halogen Content	Low Halogen - Br, Cl, F, I < 900 ppm per homogenous material. Also BFR/CFR/PVC Free
-----------------	---

Solder Process Capability	Not reviewed for solder process capability
---------------------------	--

Product Compliance Disclaimer

This information is provided based on reasonable inquiry of our suppliers and represents our current actual knowledge based on the information they provided. This information is subject to change. The part numbers that TE has identified as EU RoHS compliant have a maximum concentration of 0.1% by weight in homogenous materials for lead, hexavalent chromium, mercury, PBB, PBDE, DBP, BBP, DEHP, DIBP, and 0.01% for cadmium, or qualify for an exemption to these limits as defined in the Annexes of Directive 2011/65/EU (RoHS2). Finished electrical and electronic equipment products will be CE marked as required by Directive 2011/65/EU. Components may not be CE marked. Additionally, the part numbers that TE has identified as EU ELV compliant have a maximum concentration of 0.1% by weight in homogenous materials for lead, hexavalent chromium, and mercury, and 0.01% for cadmium, or qualify for an exemption to these limits as defined in the Annexes of Directive 2000/53/EC (ELV). Regarding the REACH Regulation, the information TE provides on SVHC in articles for this part number is based on the latest European Chemicals Agency (ECHA) 'Guidance on

requirements for substances in articles' posted at this URL: <https://echa.europa.eu/guidance-documents/guidance-on-reach>

Compatible Parts



TE Part # 5-2151096-1
OCEAN-2.0-APPLICATOR-S-062F125F-RSM



TE Part # 5-2151096-2
OCEAN-2.0-APPLICATOR-S-062F125FA-RSA



TE Part # 7-2151096-7
OCEAN_2.0_SPARE_PART_KIT-062F125F



TE Part # 2151096-1
OCEAN-2.0-APPLICATOR-S-062F125F-RSM



TE Part # 2305570-1
Strip Terminal Cutter-Side Feed-No Crimp



TE Part # 7-2836879-7
OC-062F125F-752-CRIMP TOOLING KIT



TE Part # 2151096-2
OCEAN-2.0-APPLICATOR-S-062F125FA-RSA



TE Part # 2238021-1
VAL-U-LOK SKT BR SN 22-18 LP



TE Part # 91388-2
PRO-CRIMPER DIE(ONLY)



TE Part # 2238020-1
VAL-U-LOK PIN BR TN 22-18 LP

Customers Also Bought



TE Part # F11447-000
RNF-150-3/16-0-3IN



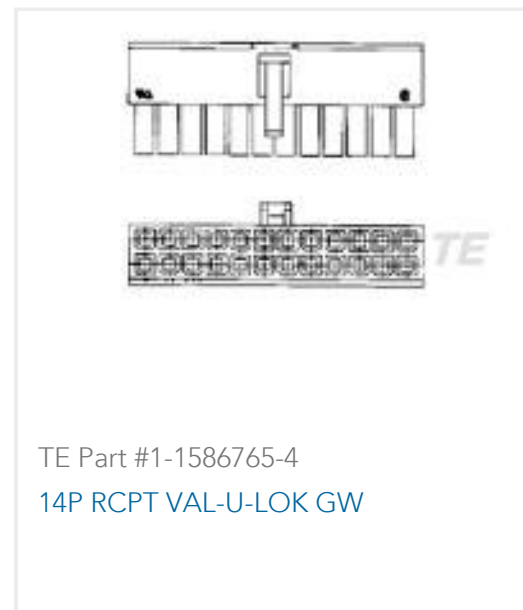
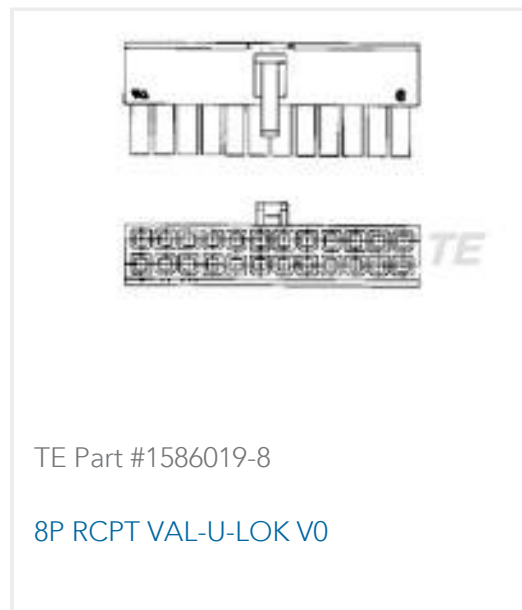
TE Part # 938365P002
VERSAFIT-1/8-0-0.75IN-ST



TE Part # 41013
RING TERMINAL 22-18 AWG TPBR



TE Part # 4-1419108-0
RTE24005F



Documents

Product Drawings

[VAL-U-LOK SKT BR SN 18-22AWG](#)

English

CAD Files

[3D PDF](#)

3D

Customer View Model

[ENG_CVM_CVM_794956-5_G_c-794956-5-g.2d_dxf.zip](#)

English

Customer View Model

[ENG_CVM_CVM_794956-5_G_c-794956-5-g.3d_igs.zip](#)

English

Customer View Model

[ENG_CVM_CVM_794956-5_G_c-794956-5-g.3d_stp.zip](#)

English

By downloading the CAD file I accept and agree to the [Terms and Conditions](#) of use.

Product Specifications

[Application Specification](#)

English

Instruction Sheets

[Instruction Sheet \(U.S.\)](#)

English