



Power Triple Lock

TE Internal #: 7-1971772-3

3 Position, Cap, Housing, Crimp, Wire-to-Wire, UL 94V-0, 6 mm [.236 in] Centerline, 1 Row, 600 VAC, Wire & Cable, Power, Power Triple Lock

[View on TE.com >](#)

Connectors > Rectangular Connectors > Standard Rectangular Connectors > POWER TRIPLE LOCK High Temperature Caps



Connector Product Type: **Housing**

Connector & Housing Type: **Cap**

Termination Method to Wire & Cable: **Crimp**

Connector System: **Wire-to-Wire**

Contact Retention Within Housing: **Without**

[All POWER TRIPLE LOCK High Temperature Caps \(44\)](#)

Features

Product Type Features

Connector Product Type	Housing
Connector & Housing Type	Cap
Connector System	Wire-to-Wire
Sealable	No
Connector & Contact Terminates To	Wire & Cable

Configuration Features

Number of Positions	3
Number of Rows	1
Number of Power Positions	3

Electrical Characteristics

Operating Voltage	600 VDC
-------------------	---------

Body Features

Connector & Keying Code	C
Primary Product Color	Black
Cable Exit Angle	180°

Contact Features

Contact Layout	Inline
Contact Retention Within Housing	Without
Contact Type	Tab

Termination Features

Termination Method to Wire & Cable	Crimp
------------------------------------	-------

Mechanical Attachment

Panel Mount Feature	With
Panel Mount Feature Type	Latches
Connector Mounting Type	Panel Mount

Housing Features

Centerline (Pitch)	6 mm [.236 in]
Housing Material	Nylon

Dimensions

Panel Thickness (Recommended)	1 – 2 mm [.039 – .079 in]
Connector Height	14.95 mm

Usage Conditions

Operating Temperature Range	-55 – 150 °C [-67 – 302 °F]
-----------------------------	-----------------------------

Operation/Application

Circuit Application	Power
---------------------	-------

Identification Marking

Circuit Identification Feature	With
--------------------------------	------

Industry Standards

Compatible With Agency/Standards Products	UL
UL Rating	Recognized
Glow Wire Material Rating	Material with GWIT \geq 775°C
Compatible With Approved Standards Products	UL E28476
UL Flammability Rating	UL 94V-0



Glow Wire Rating

High Temperature Part - Not Glow Wire

Packaging Features

Packaging Method

Carton

Product Compliance

[For compliance documentation, visit the product page on TE.com>](#)

EU RoHS Directive 2011/65/EU

Compliant

EU ELV Directive 2000/53/EC

Compliant

China RoHS 2 Directive MIIT Order No 32, 2016

No Restricted Materials Above Threshold

EU REACH Regulation (EC) No. 1907/2006

Current ECHA Candidate List: JAN 2025 (247)
Candidate List Declared Against: JAN 2025 (247)
Does not contain REACH SVHC

Halogen Content

Not Low Halogen - contains Br or Cl > 900 ppm.

Solder Process Capability

Not reviewed for solder process capability

Product Compliance Disclaimer

This information is provided based on reasonable inquiry of our suppliers and represents our current actual knowledge based on the information they provided. This information is subject to change. The part numbers that TE has identified as EU RoHS compliant have a maximum concentration of 0.1% by weight in homogenous materials for lead, hexavalent chromium, mercury, PBB, PBDE, DBP, BBP, DEHP, DIBP, and 0.01% for cadmium, or qualify for an exemption to these limits as defined in the Annexes of Directive 2011/65/EU (RoHS2). Finished electrical and electronic equipment products will be CE marked as required by Directive 2011/65/EU. Components may not be CE marked. Additionally, the part numbers that TE has identified as EU ELV compliant have a maximum concentration of 0.1% by weight in homogenous materials for lead, hexavalent chromium, and mercury, and 0.01% for cadmium, or qualify for an exemption to these limits as defined in the Annexes of Directive 2000/53/EC (ELV). Regarding the REACH Regulation, the information TE provides on SVHC in articles for this part number is based on the latest European Chemicals Agency (ECHA) 'Guidance on requirements for substances in articles' posted at this URL: <https://echa.europa.eu/guidance-documents/guidance-on-reach>

Compatible Parts



TE Part # 1452426-1
EXTRACTION TOOL



TE Part # CAT-P87074-T111
Tab Contact — POWER TRIPLE LOCK



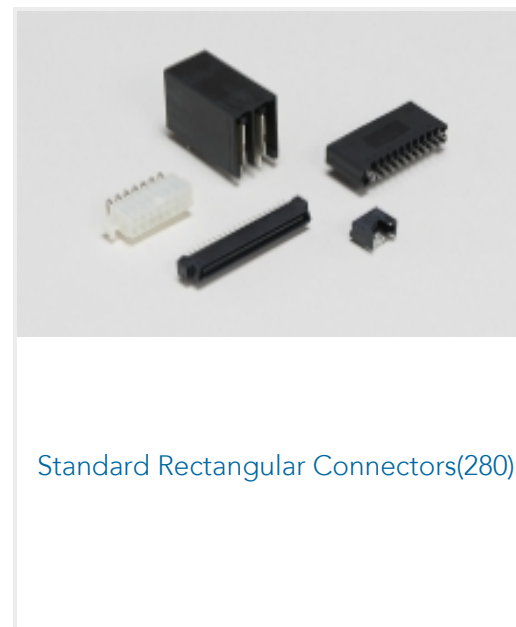
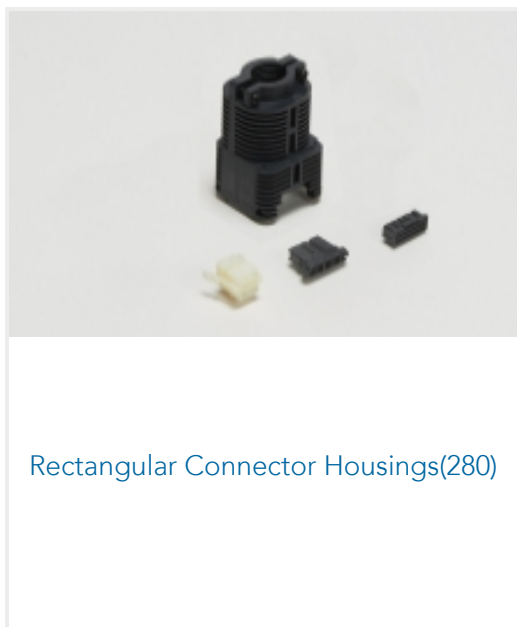
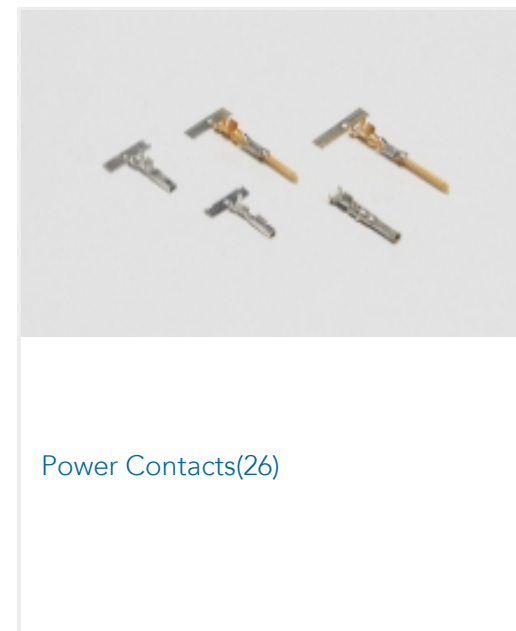
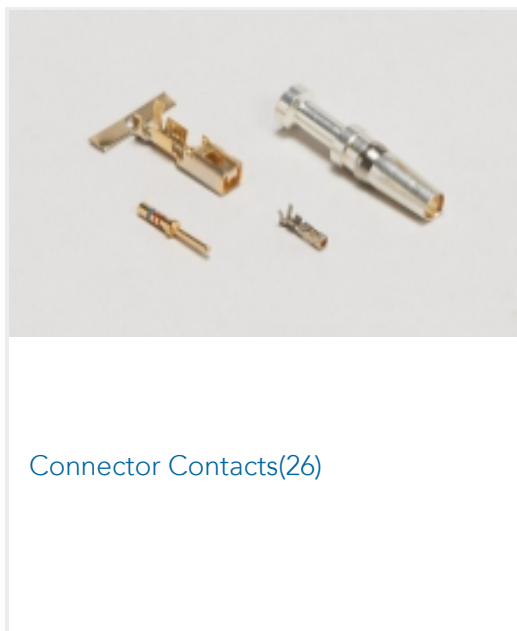
TE Part # 1971777-3
PTL TPA HIGH TEMP 1 x 3 BLACK



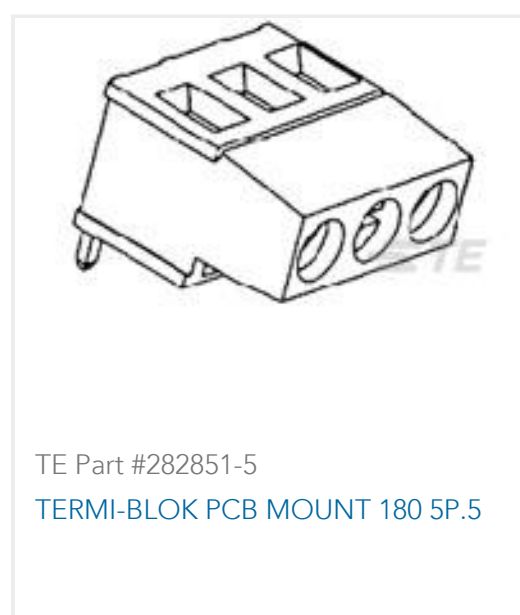
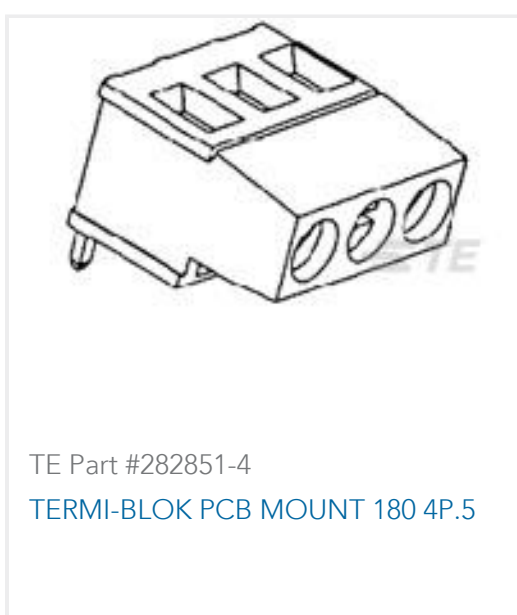
TE Part # 7-1971773-3
PTL 1X3 PLUG HSG HIGH TEMP KEY C BLK



Also in the Series | Power Triple Lock



Customers Also Bought





Documents

Product Drawings

[PTL 1X3 CAP PANEL MT HITEMP KEY C BLK](#)

English

CAD Files

[3D PDF](#)

3D

Customer View Model

[ENG_CVM_CVM_7-1971772-3_E.2d_dxf.zip](#)

English

Customer View Model

[ENG_CVM_CVM_7-1971772-3_E.3d_igs.zip](#)

English

Customer View Model

[ENG_CVM_CVM_7-1971772-3_E.3d_stp.zip](#)

English

By downloading the CAD file I accept and agree to the [Terms and Conditions](#) of use.

Product Specifications

[Application Specification](#)

English