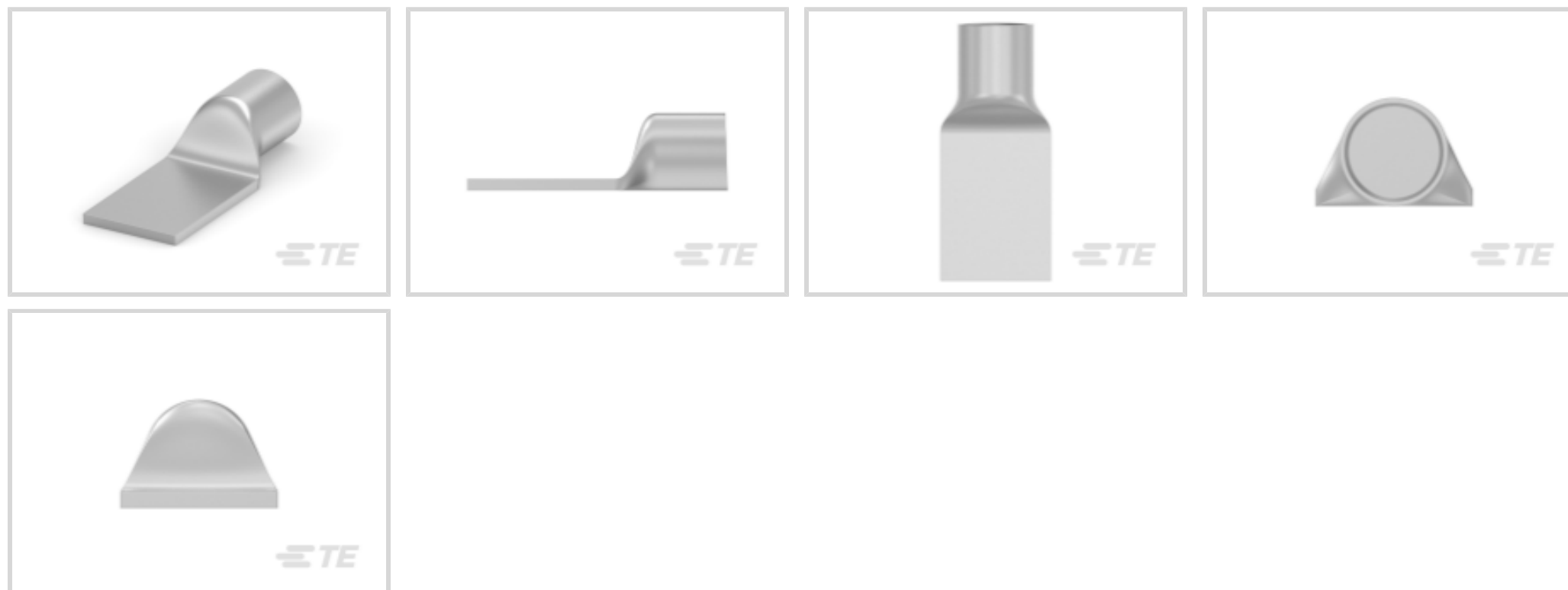




Terminals & Splices > Ring Terminals & Spade Terminals



Ring & Spade Terminal Type: **Rectangular Tongue**

Wire Size: **750000 – 850000 CMA**

Tongue Thickness: **6.35 mm [.25 in]**

Barrel Type: **Closed**

Terminal Orientation: **Straight**

Features

Product Type Features

Terminal Features	Sheared
Sealable	No

Configuration Features

Terminal Angle	180 °
----------------	-------

Body Features

Inspection Slot	Yes
Weight per Piece	372.399 g

Contact Features

Ring & Spade Terminal Type	Rectangular Tongue
Barrel Type	Closed
Terminal Orientation	Straight
Terminal Plating Material	Tin

Mechanical Attachment

--	--



Wire Insulation Support	Without
-------------------------	---------

Dimensions

Wire Size	750000 – 850000 CMA
Tongue Thickness	6.35 mm [.25 in]
	1.242 in

Usage Conditions

Insulation Requirement	Uninsulated
Operating Temperature Range	-55 – 105 °C [-67 – 221 °F]

Operation/Application

Compatible With Wire Base Material	Copper
Compatible With Wire Plating Material	Tin
Heavy Duty	No

Industry Standards

Government Qualified	No
----------------------	----

Packaging Features

Packaging Quantity	25
Packaging Method	Box

Other

Comment	Crimp Termination
---------	-------------------

Product Compliance

[For compliance documentation, visit the product page on TE.com>](#)

EU RoHS Directive 2011/65/EU	Compliant
EU ELV Directive 2000/53/EC	Compliant
China RoHS 2 Directive MIIT Order No 32, 2016	No Restricted Materials Above Threshold
EU REACH Regulation (EC) No. 1907/2006	Current ECHA Candidate List: JUL 2021 (219) Candidate List Declared Against: JUL 2021 (219) Does not contain REACH SVHC
Halogen Content	Not Yet Reviewed for halogen content
Solder Process Capability	Not reviewed for solder process capability

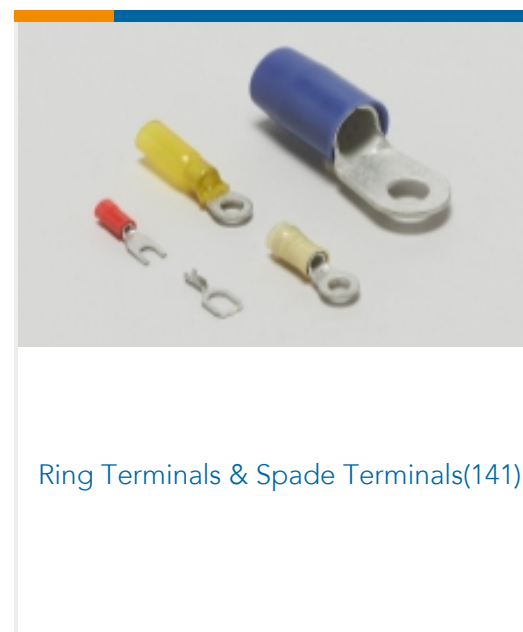
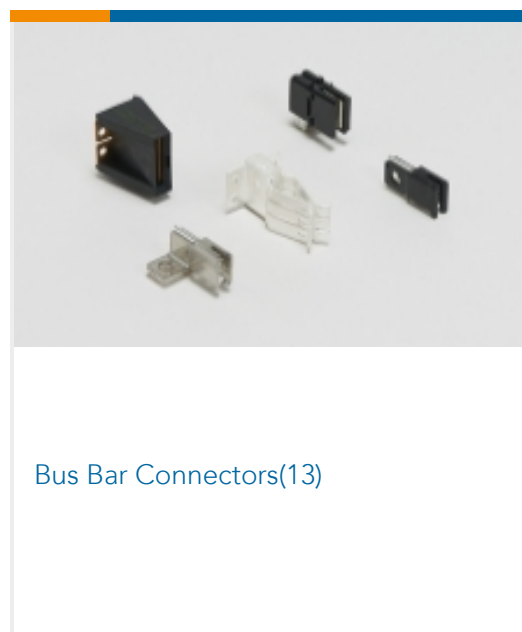
Product Compliance Disclaimer

This information is provided based on reasonable inquiry of our suppliers and represents our current actual knowledge based on the information they provided. This information is subject to change. The part numbers that TE has identified as EU RoHS compliant have a maximum concentration of 0.1% by weight in homogenous materials for lead, hexavalent chromium, mercury, PBB, PBDE, DBP, BBP, DEHP, DIBP, and 0.01% for cadmium, or qualify for an exemption to these limits as defined in the Annexes of Directive 2011/65/EU (RoHS2). Finished electrical and electronic equipment products will be CE marked as required by Directive 2011/65/EU. Components may not be CE marked. Additionally, the part numbers that TE has identified as EU ELV compliant have a maximum concentration of 0.1% by weight in homogenous materials for lead, hexavalent chromium, and mercury, and 0.01% for cadmium, or qualify for an exemption to these limits as defined in the Annexes of Directive 2000/53/EC (ELV). Regarding the REACH Regulation, the information TE provides on SVHC in articles for this part number is based on the latest European Chemicals Agency (ECHA) 'Guidance on requirements for substances in articles' posted at this URL: <https://echa.europa.eu/guidance-documents/guidance-on-reach>

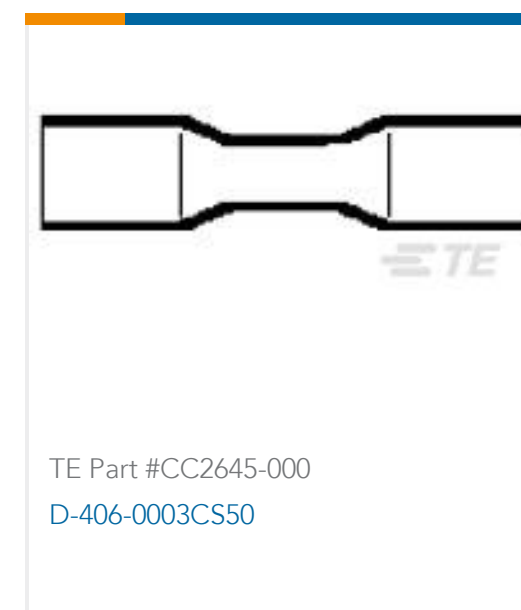
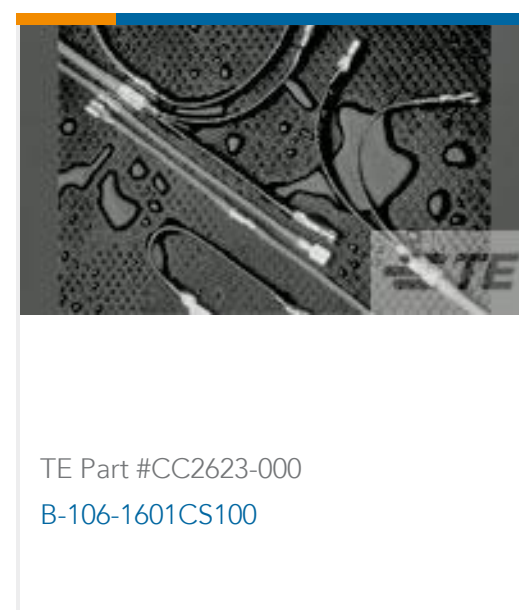
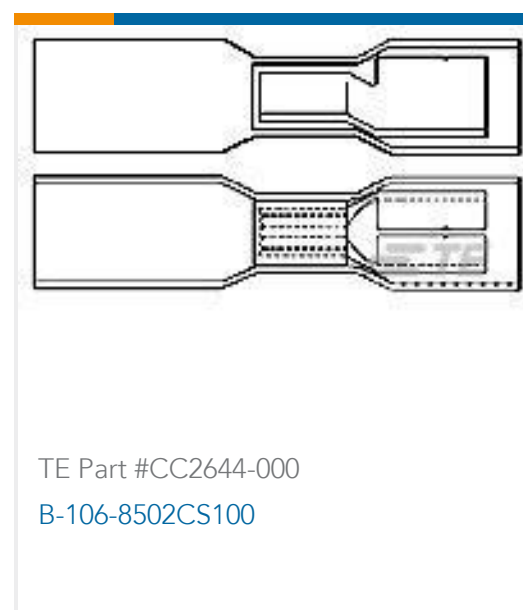
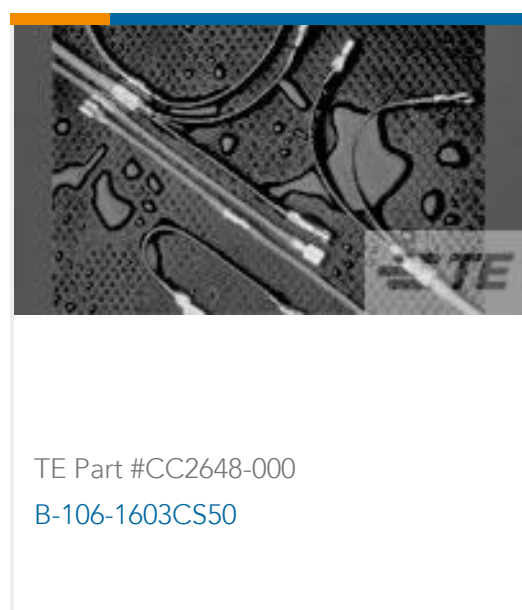
Compatible Parts

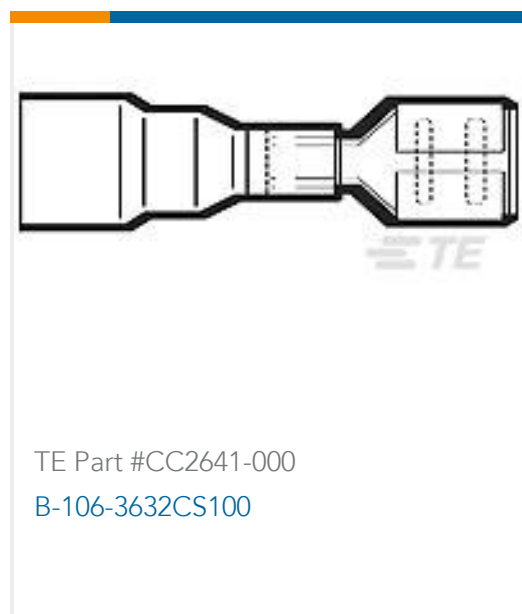


Also in the Series | AMPOWER

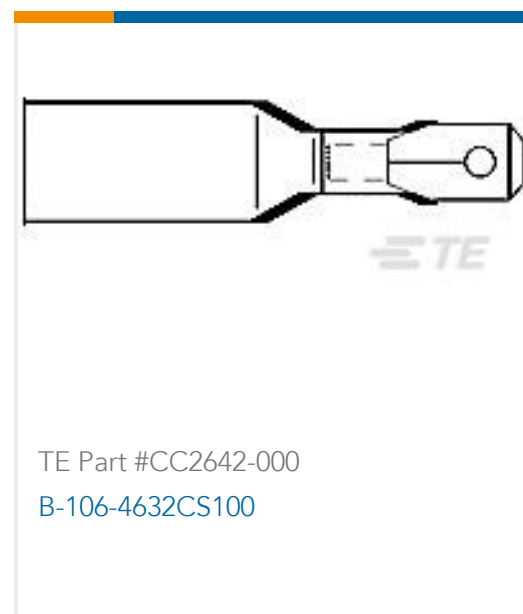


Customers Also Bought

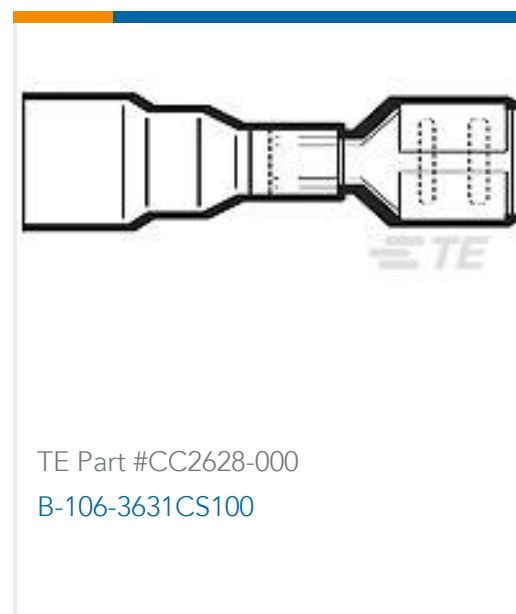




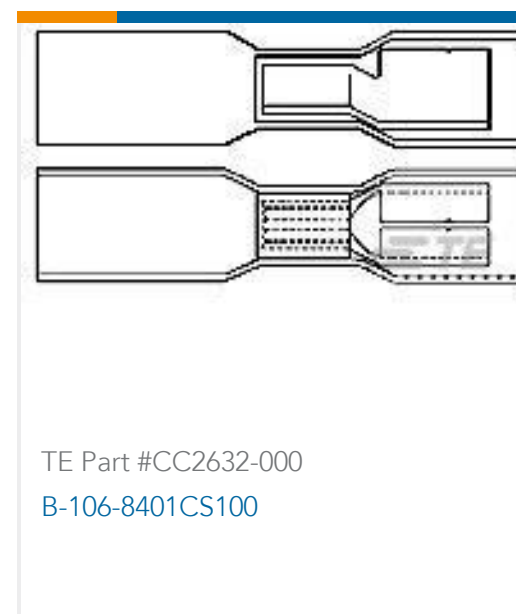
TE Part #CC2641-000
B-106-3632CS100



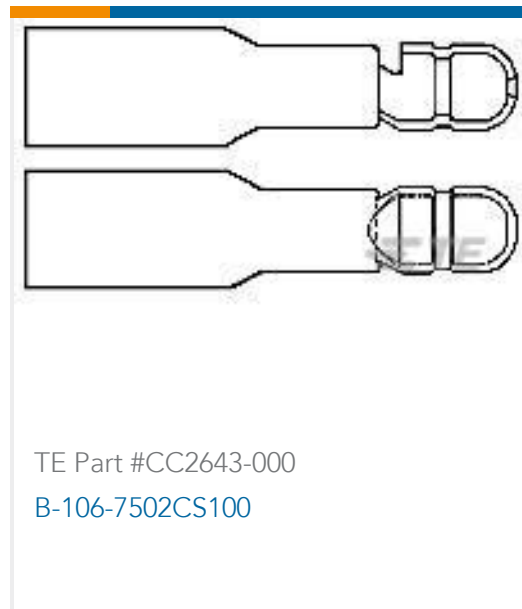
TE Part #CC2642-000
B-106-4632CS100



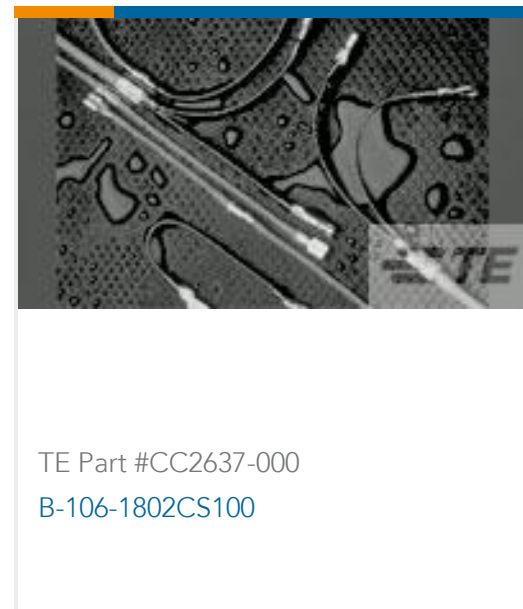
TE Part #CC2628-000
B-106-3631CS100



TE Part #CC2632-000
B-106-8401CS100



TE Part #CC2643-000
B-106-7502CS100



TE Part #CC2637-000
B-106-1802CS100

Documents

Product Drawings

TERMINAL, AMPOWER 800MCM, TIN PLATED

English

CAD Files

3D PDF

3D

Customer View Model

[ENG_CVM_CVM_696279-2_C.2d_dxf.zip](#)

English

Customer View Model

[ENG_CVM_CVM_696279-2_C.3d_igs.zip](#)

English

Customer View Model

[ENG_CVM_CVM_696279-2_C.3d_stp.zip](#)

English

By downloading the CAD file I accept and agree to the [Terms and Conditions](#) of use.

Product Specifications

Product Specification

English

AMPOWER* Terminals & Splices, Small

English