



SL-156

TE Internal #: 647663-2

2 Position, Receptacle, Housing, Wire-to-Wire, UL 94V-0, 3.96 mm [0.156 in] Centerline, 1 Row, 600 VAC, Wire & Cable, Power & Signal, SL-156

[View on TE.com >](#)

Connectors > Rectangular Connectors > Standard Rectangular Connectors > Connector Housing, Rectangular, 3.96 mm, 1 Row



Connector Product Type: **Housing**

Connector & Housing Type: **Receptacle**

Connector System: **Wire-to-Wire**

UL Flammability Rating: **UL 94V-0**

Number of Positions: **2**

[All Connector Housing, Rectangular, 3.96 mm, 1 Row \(10\)](#)

Features

Product Type Features

Connector Product Type	Housing
Connector & Housing Type	Receptacle
Connector System	Wire-to-Wire
Sealable	No
Connector & Contact Terminates To	Wire & Cable

Configuration Features

Number of Positions	2
Number of Rows	1

Electrical Characteristics

Operating Voltage	600 VDC
-------------------	---------

Body Features

Primary Product Color	Natural
-----------------------	---------

Contact Features

Contact Layout	Matrix
Contact Type	Socket

Mechanical Attachment

Connector Mounting Type	Cable Mount (Free-Hanging)
-------------------------	----------------------------

Housing Features

Centerline (Pitch)	3.96 mm [.156 in]
Housing Material	Nylon 66/6

Dimensions

Connector Width	6.35 mm [.25 in]
Connector Height	16.76 mm [.66 in]
Connector Length	7.82 mm [.308 in]

Usage Conditions

Operating Temperature Range	-55 – 105 °C [-67 – 221 °F]
-----------------------------	-----------------------------

Operation/Application

Halogen Free	Yes
Circuit Application	Power & Signal

Identification Marking

Circuit Identification Feature	Without
--------------------------------	---------

Industry Standards

Compatible With Agency/Standards Products	CSA, UL
Compatible With Approved Standards Products	UL E28476
UL Flammability Rating	UL 94V-0
Glow Wire Rating	Standard Part - Not Glow Wire

Packaging Features

Packaging Quantity	1
Packaging Method	Package

Product Compliance

For compliance documentation, visit the product page on [TE.com](#)>

EU RoHS Directive 2011/65/EU	Compliant
------------------------------	-----------

EU ELV Directive 2000/53/EC

Compliant

China RoHS 2 Directive MIIT Order No 32, 2016

No Restricted Materials Above Threshold

EU REACH Regulation (EC) No. 1907/2006

Current ECHA Candidate List: JAN 2025
(247)Candidate List Declared Against: JAN 2025
(247)

Does not contain REACH SVHC

Halogen Content

Low Halogen - Br, Cl, F, I < 900 ppm per
homogenous material. Also BFR/CFR/PVC
Free

Solder Process Capability

Not applicable for solder process capability

Product Compliance Disclaimer

This information is provided based on reasonable inquiry of our suppliers and represents our current actual knowledge based on the information they provided. This information is subject to change. The part numbers that TE has identified as EU RoHS compliant have a maximum concentration of 0.1% by weight in homogenous materials for lead, hexavalent chromium, mercury, PBB, PBDE, DBP, BBP, DEHP, DIBP, and 0.01% for cadmium, or qualify for an exemption to these limits as defined in the Annexes of Directive 2011/65/EU (RoHS2). Finished electrical and electronic equipment products will be CE marked as required by Directive 2011/65/EU. Components may not be CE marked. Additionally, the part numbers that TE has identified as EU ELV compliant have a maximum concentration of 0.1% by weight in homogenous materials for lead, hexavalent chromium, and mercury, and 0.01% for cadmium, or qualify for an exemption to these limits as defined in the Annexes of Directive 2000/53/EC (ELV). Regarding the REACH Regulation, the information TE provides on SVHC in articles for this part number is based on the latest European Chemicals Agency (ECHA) 'Guidance on requirements for substances in articles' posted at this URL: <https://echa.europa.eu/guidance-documents/guidance-on-reach>

Compatible Parts

TE Part # 640643-2
02P MTA156 COVER F/TTE Part # 640551-2
02P MTA156 COVERTE Part # 641533-1
02P MTA156 CONN HSG,END CAPTE Part # CAT-103156-RECHS
Connector Housing, Rectangular, 3.96
mm, 1 RowTE Part # 643067-2
02P MTA156 MOLDED COVERTE Part # 643071-2
02P MTA156 FD-THRU COVERAlso in the Series | **SL-156**



Connector Contacts(23)



Connector Hardware(4)



Insertion & Extraction Tools(1)



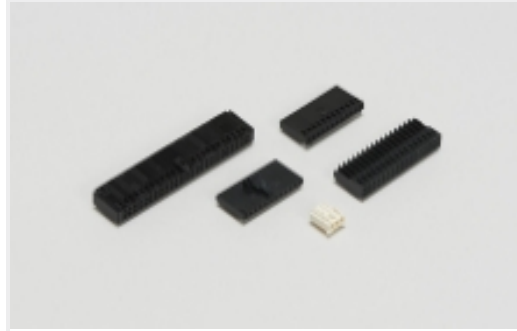
Power Contacts(13)



Rectangular Connector Housings(150)



Rectangular Power Connectors(147)

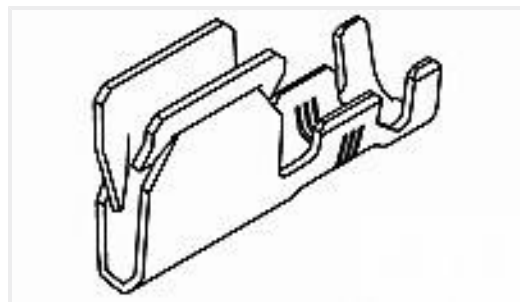


Wire-to-Board Connector Assemblies & Housings(146)

Customers Also Bought



TE Part #35787
TERMINAL,PIDG R 12-10 8



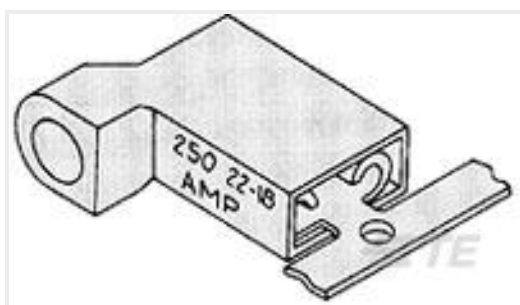
TE Part #63895-1
GROUND CLIP 14-18AWG ST



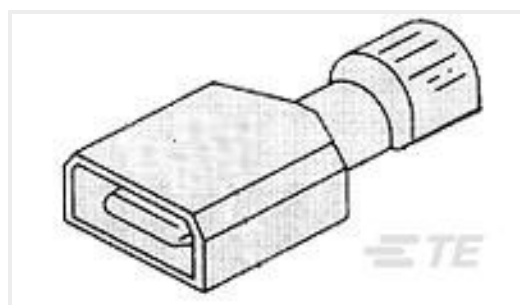
TE Part #350537-1
UMNL SOK 20-14 .0126 PTPBR



TE Part #350561-1
UMNL PIN 24-18 .0126 PTPBR



TE Part #2-520336-2
ULTRA-FAST 187 ASY REC 22-18 TPBR



TE Part #3-521142-2
ULTRA-FAST 250 ASY TAB 16-14 AWG TPBR



TE Part #794221-1
MINI UMNL2 SOK 22-18 AWG SN



TE Part #1744144-1
EP-II CONTACT LANCELESS, 22-18



TE Part #1-2132782-2
12 pos. EP II breakaway retain



TE Part #2232326-1
CLUSTER BLOCK HSG .090 DIA

Documents



Product Drawings

02P SL156 HSG SPCL SINGLE TAB

English

CAD Files

3D PDF

3D

Customer View Model

[ENG_CVM_CVM_647663-2_D_c-647663-2-d.2d_dxf.zip](#)

English

Customer View Model

[ENG_CVM_CVM_647663-2_D_c-647663-2-d.3d_igs.zip](#)

English

Customer View Model

[ENG_CVM_CVM_647663-2_D_c-647663-2-d.3d_stp.zip](#)

English

By downloading the CAD file I accept and agree to the [Terms and Conditions](#) of use.

Product Specifications

Application Specification

English

Agency Approvals

UL Report

English