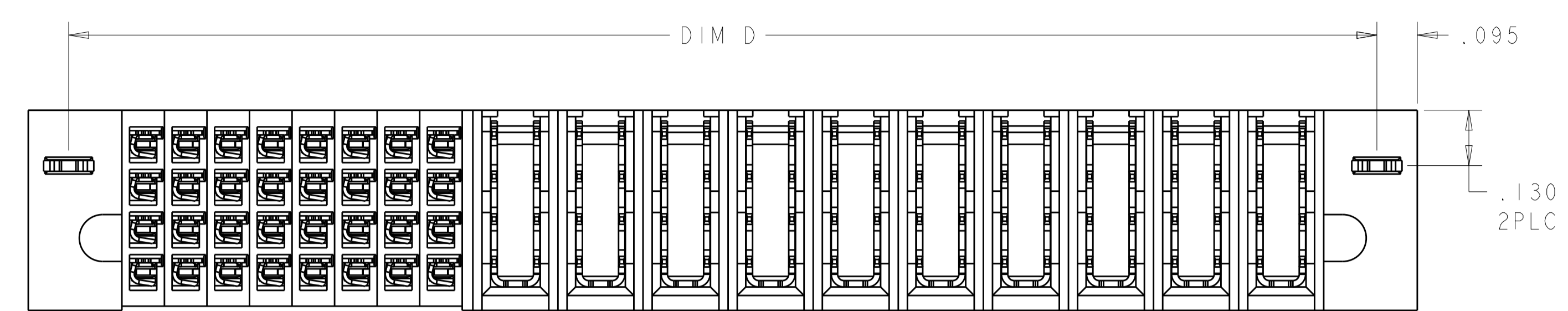
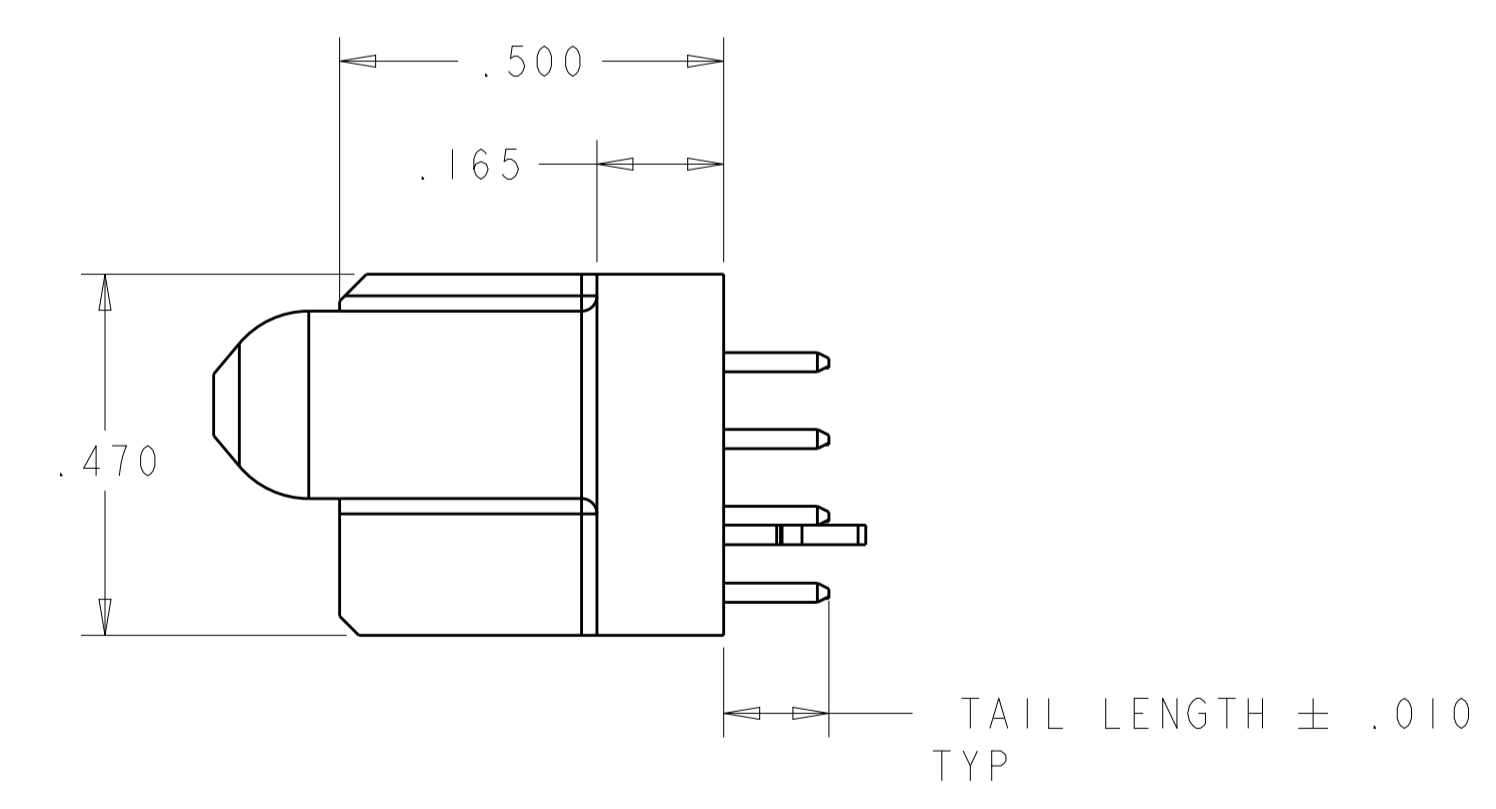
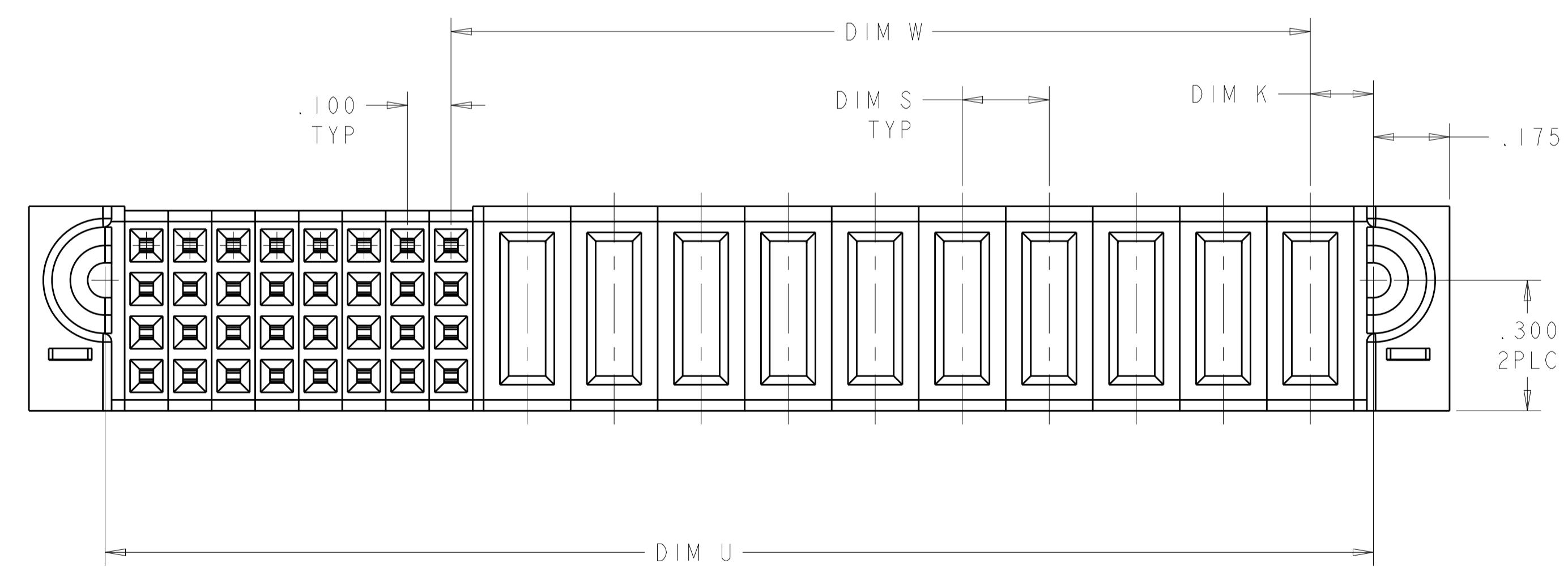
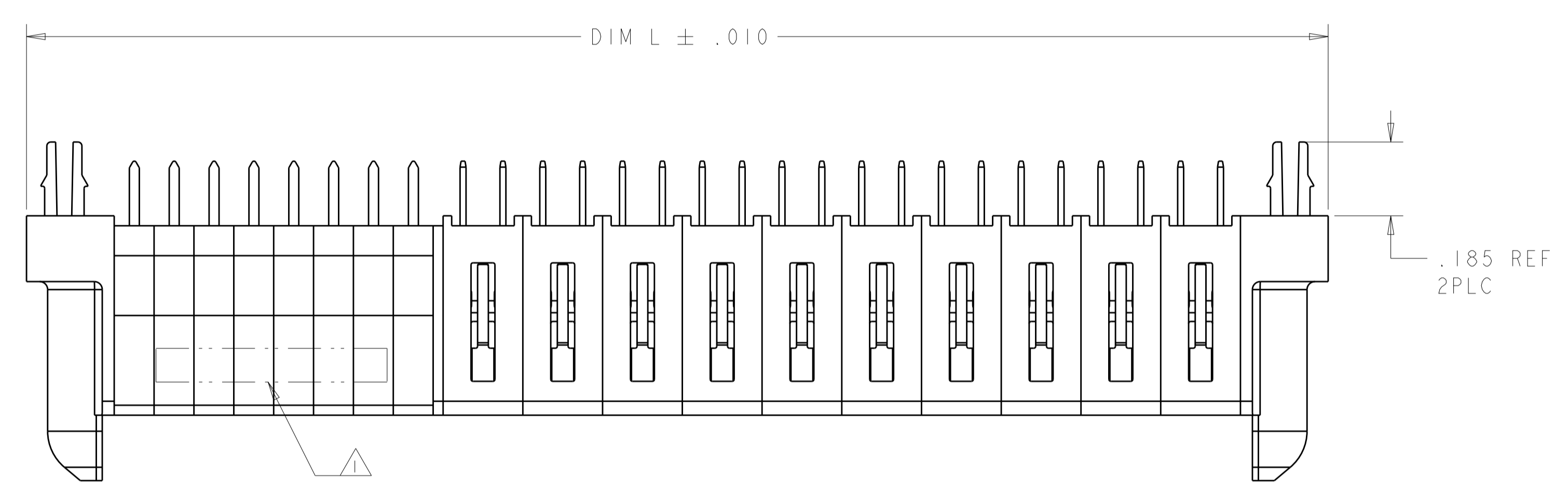


LOC	DIST	REVISIONS					
		P	LTN	DESCRIPTION	DATE	DMN	APVD
ES	00	C2		ADD NEW DASH NUMBER 1-2	04FEB2015	CZ	SZ



- 1 "AMP", TRADEMARK, PART NUMBER AND DATE CODE TO BE MARKED IN AREA SHOWN
- 2 MATERIAL: HOUSING - GLASS FILLED HIGH TEMP THERMO PLASTIC, UL94 V-0, BLACK
 SIGNAL CONTACT - HIGH CONDUCTIVITY COPPER ALLOY
 POWER CONTACT - HIGH CONDUCTIVITY COPPER ALLOY
- 3 CONTACT PLATING: NOBLE METAL PLATING ON CONTACT FUNCTIONAL AREA OF POWER AND SIGNAL CONTACTS
- 4 MECHANICAL CONNECTOR KEEP OUT ZONE
- 5 DATUM AND BASIC DIMENSIONS ESTABLISHED BY CUSTOMER
- 6 PCB - ALL HOLE DIAMETERS ARE FINISHED HOLE SIZES
- 7 PCB - .0453 ±.0010 DRILLED HOLES PLATED WITH .0003 MIN Sn OVER .001 TO .003 CU PLATING TO ACHIEVE A .040±.003 DIA HOLE
- 8 VARIABLE DIMENSIONS PLEASE SEE SHEET 2 OR TABLE ON PART VIEW..




THIS DRAWING IS A CONTROLLED DOCUMENT.		DMN H. LIU 28MAY2008	TE Connectivity
DIMENSIONS: INCHES		CHK S. ZHAO 28MAY2008	
TOLERANCES UNLESS OTHERWISE SPECIFIED:		APVD S. YAO	NAME VERTICAL RECEPTACLE ASSEMBLY, WITH GUIDES MULTI-BEAM XLE
0 PLC ±. 1 PLC ±.01 2 PLC ±.01 3 PLC ±.005 4 PLC ±.0020 ANGLES ±.7°		PRODUCT SPEC 108-1973	SIZE A1
MATERIAL		APPLICATION SPEC 114-13038	CAGE CODE C=6450852
FINISH		WEIGHT	RESTRICTED TO
CUSTOMER DRAWING		SCALE 4:1	SHEET 1 OF 10

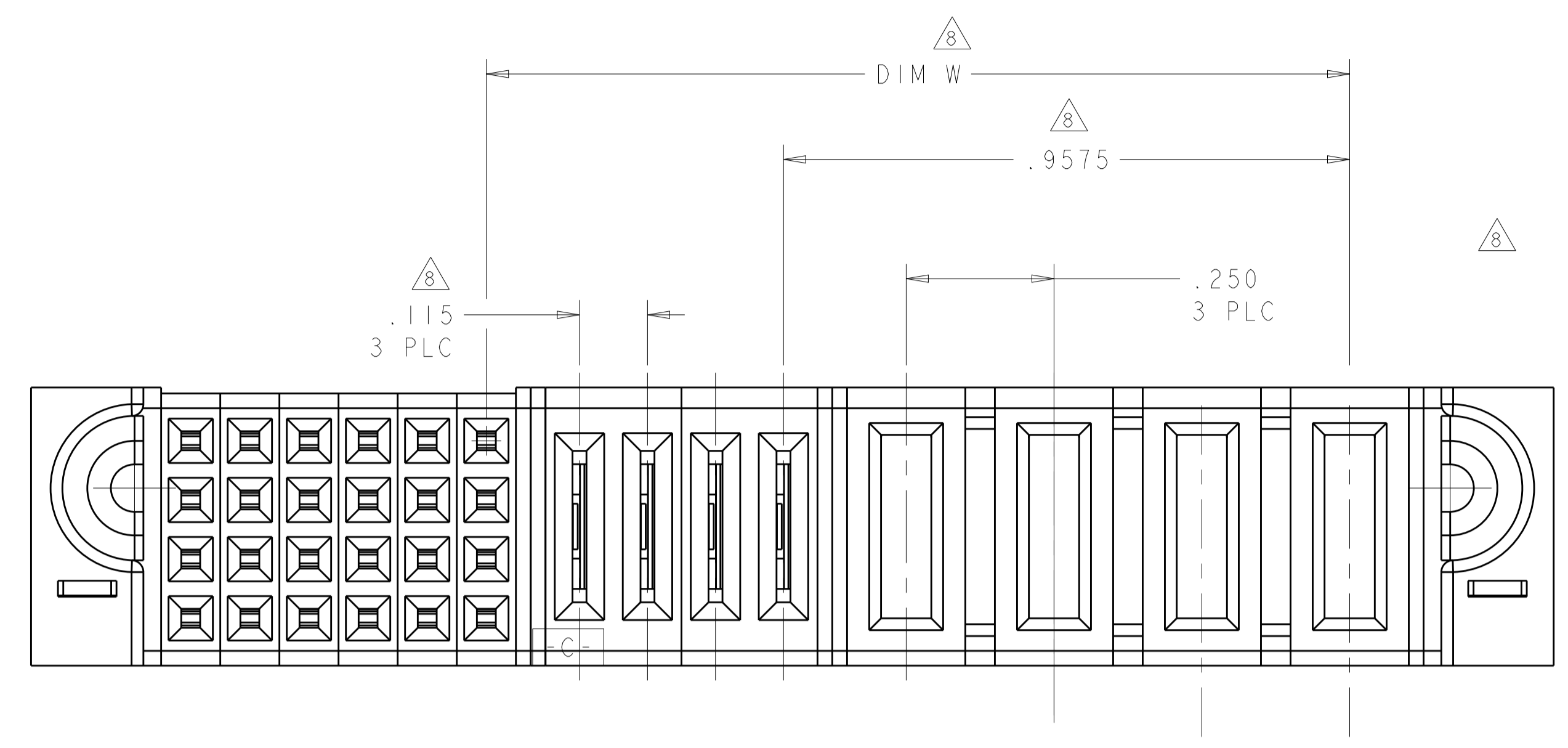
THIS DRAWING IS UNPUBLISHED. RELEASED FOR PUBLICATION 20
 © COPYRIGHT 20 BY - ALL RIGHTS RESERVED.

LOC	DIST	REVISIONS					
		P	LTN	DESCRIPTION	DATE	DWN	APVD
ES	00	-		SEE SHEET 1	-	-	-

.250	1.490	1.140	1.300	.675	.170	3P + 12S	1-6450852-2
.250	2.690	2.340	2.500	-	.170	9P	6450852-9
.250	3.090	2.740	2.900	1.950	.170	8P + 24S	6450852-8
\triangle	4.640	4.290	4.450	2.550	.145	5P+2HDP+4P+64S	6450852-7
.200	1.090	.740	.900	-	.170	3HDP	6450852-6
\triangle	4.015	3.665	3.825	3.075	.195	3ACP + 9P + 16S	6450852-5
.200	3.065	2.715	2.875	1.975	.145	10HDP + 24S	6450852-4
.200	3.065	2.715	2.875	1.975	.145	10HDP + 24S	6450852-3
.250	2.575	2.225	2.385	1.460	\triangle .170	4P + 4LP + 24S	6450852-2
.200	3.265	2.915	3.075	1.975	.145	10HDP + 32S	6450852-1
DIM S	DIM L	DIM U	DIM D	DIM W	DIM K	DESCRIPTION	PART NUMBER

THIS DRAWING IS A CONTROLLED DOCUMENT.		DWN H. LIU 28MAY2008	 TE Connectivity																												
DIMENSIONS: INCHES		CHK S. ZHAO 28MAY2008																													
TOLERANCES UNLESS OTHERWISE SPECIFIED:		APVD S. YAO	NAME VERTICAL RECEPTACLE ASSEMBLY, WITH GUIDES MULTI-BEAM XLE																												
<table border="1"> <tr><td>0 PLC</td><td>±</td></tr> <tr><td>1 PLC</td><td>±.01</td></tr> <tr><td>2 PLC</td><td>±.01</td></tr> <tr><td>3 PLC</td><td>±.005</td></tr> <tr><td>4 PLC</td><td>±.0020</td></tr> <tr><td>ANGLES</td><td>±.0020</td></tr> <tr><td>FINISH</td><td>±.0020</td></tr> </table>		0 PLC	±	1 PLC	±.01	2 PLC	±.01	3 PLC	±.005	4 PLC	±.0020	ANGLES	±.0020	FINISH	±.0020	<table border="1"> <tr><td>PRODUCT SPEC</td><td>108-1973</td></tr> <tr><td>APPLICATION SPEC</td><td>114-13038</td></tr> <tr><td>WEIGHT</td><td>-</td></tr> </table>	PRODUCT SPEC	108-1973	APPLICATION SPEC	114-13038	WEIGHT	-	<table border="1"> <tr><td>SIZE</td><td>A1</td></tr> <tr><td>CAGE CODE</td><td>100779</td></tr> <tr><td>DRAWING NO</td><td>6450852</td></tr> <tr><td>RESTRICTED TO</td><td>-</td></tr> </table>	SIZE	A1	CAGE CODE	100779	DRAWING NO	6450852	RESTRICTED TO	-
0 PLC	±																														
1 PLC	±.01																														
2 PLC	±.01																														
3 PLC	±.005																														
4 PLC	±.0020																														
ANGLES	±.0020																														
FINISH	±.0020																														
PRODUCT SPEC	108-1973																														
APPLICATION SPEC	114-13038																														
WEIGHT	-																														
SIZE	A1																														
CAGE CODE	100779																														
DRAWING NO	6450852																														
RESTRICTED TO	-																														
MATERIAL		CUSTOMER DRAWING																													
SCALE 4:1		SHEET 2 OF 10																													

LOC		DIST		REVISIONS			
ES	00	P	LTN	DESCRIPTION	DATE	DWN	APVD
-	-	-	-	SEE SHEET 1	-	-	-

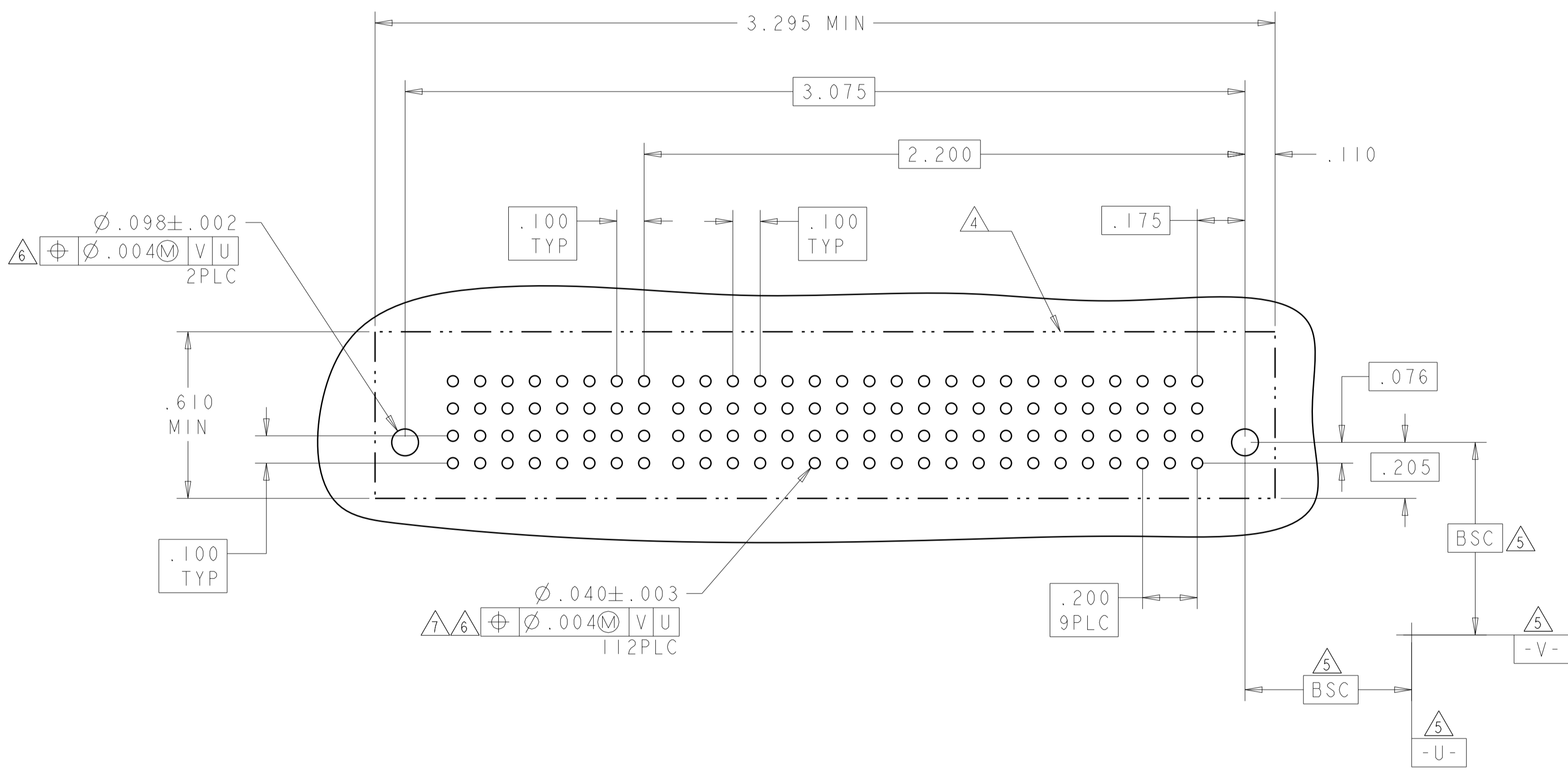


FOR P/N:6450852-2, OTHER DIMENSIONS PLEASE SEE TABLE.

THIS DRAWING IS A CONTROLLED DOCUMENT.		DWN H. LIU 28MAY2008	TE Connectivity
DIMENSIONS: INCHES		CHK S. ZHAO 28MAY2008	
TOLERANCES UNLESS OTHERWISE SPECIFIED: 0 PLC ±. 1 PLC ±. 2 PLC ±.01 3 PLC ±.005 4 PLC ±.0020 ANGLES ±.7° FINISH -		APVD S. YAO	NAME VERTICAL RECEPTACLE ASSEMBLY, WITH GUIDES MULTI-BEAM XLE
MATERIAL - FINISH -		PRODUCT SPEC 108-1973	SIZE A100779
CUSTOMER DRAWING		APPLICATION SPEC 114-13038	DRAWING NO C=6450852
SCALE 4:1		WEIGHT -	RESTRICTED TO -
SHEET 3 OF 10		REV C2	

LOC	DIST	REVISIONS			
P	LTN	DESCRIPTION	DATE	DMN	APVD
-	-	SEE SHEET 1	-	-	-

PART NUMBER	ROWS	SIGNAL								POWER											
		8	7	6	5	4	3	2	1	P10	P9	P8	P7	P6	P5	P4	P3	P2	P1		
6450852-1	D	E	E	E	E	E	E	E	E	VM	VM	VM	VM	VM	VM	VM	VM	VM	VM		
	C	E	E	E	E	E	E	E	E	VM	VM	VM	VM	VM	VM	VM	VM	VM	VM		
	B	E	E	E	E	E	E	E	E	VM	VM	VM	VM	VM	VM	VM	VM	VM	VM		
	A	E	E	E	E	E	E	E	E	VM	VM	VM	VM	VM	VM	VM	VM	VM	VM		
10HDP + 32S		HD																		HD	



E	SIGNAL CONTACT .135" TAIL LENGTH
LM	LOWER POWER CONTACT, STD.135" TAIL LENGTH
VA	POWER CONTACT, MFBL.135" TAIL LENGTH
VM	POWER CONTACT, STD.135" TAIL LENGTH
CODE	DESCRIPTION
CONTACTS	

THIS DRAWING IS A CONTROLLED DOCUMENT.		DMN	H.LIU	28MAY2008
DIMENSIONS: INCHES		CHK	S.ZHAO	28MAY2008
TOLERANCES UNLESS OTHERWISE SPECIFIED:		APVD	S.YAO	-
0 PLC	±	PRODUCT SPEC	NAME	
1 PLC	±.01	APPLICATION SPEC	VERTICAL RECEPTACLE ASSEMBLY, WITH GUIDES MULTI-BEAM XLE	
2 PLC	±.02	SIZE	CAGE CODE	DRAWING NO
3 PLC	±.05	RESTRICTED TO	A100779	C=6450852
4 PLC	±.0020	WEIGHT	-	
ANGLES	±.020	CUSTOMER DRAWING	SCALE	4:1
FINISH	±.020	SHEET	4	OF 10
MATERIAL		REV	C2	

LOC	DIST	REV	DATE	BY	APPV
ES	00				

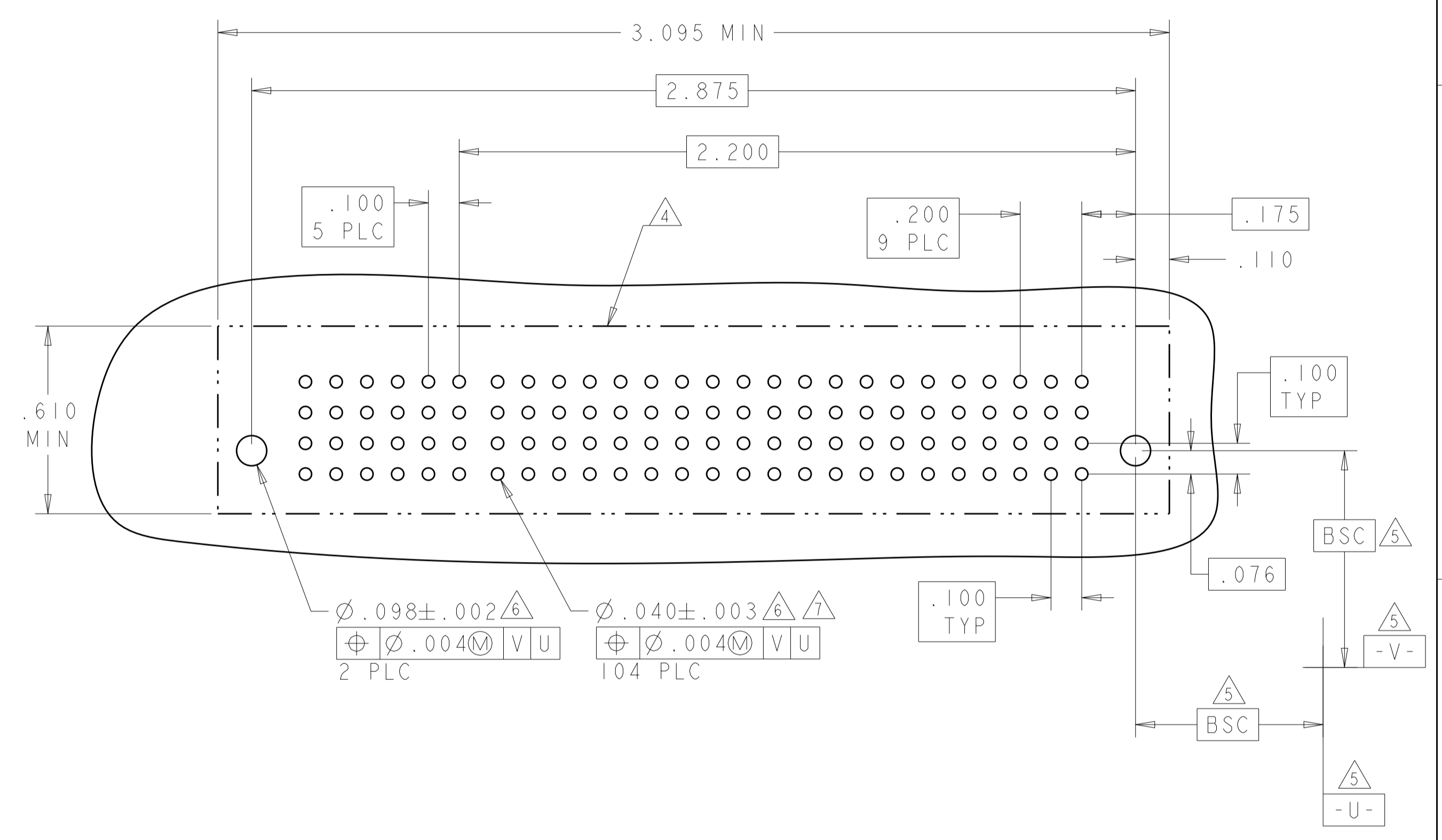
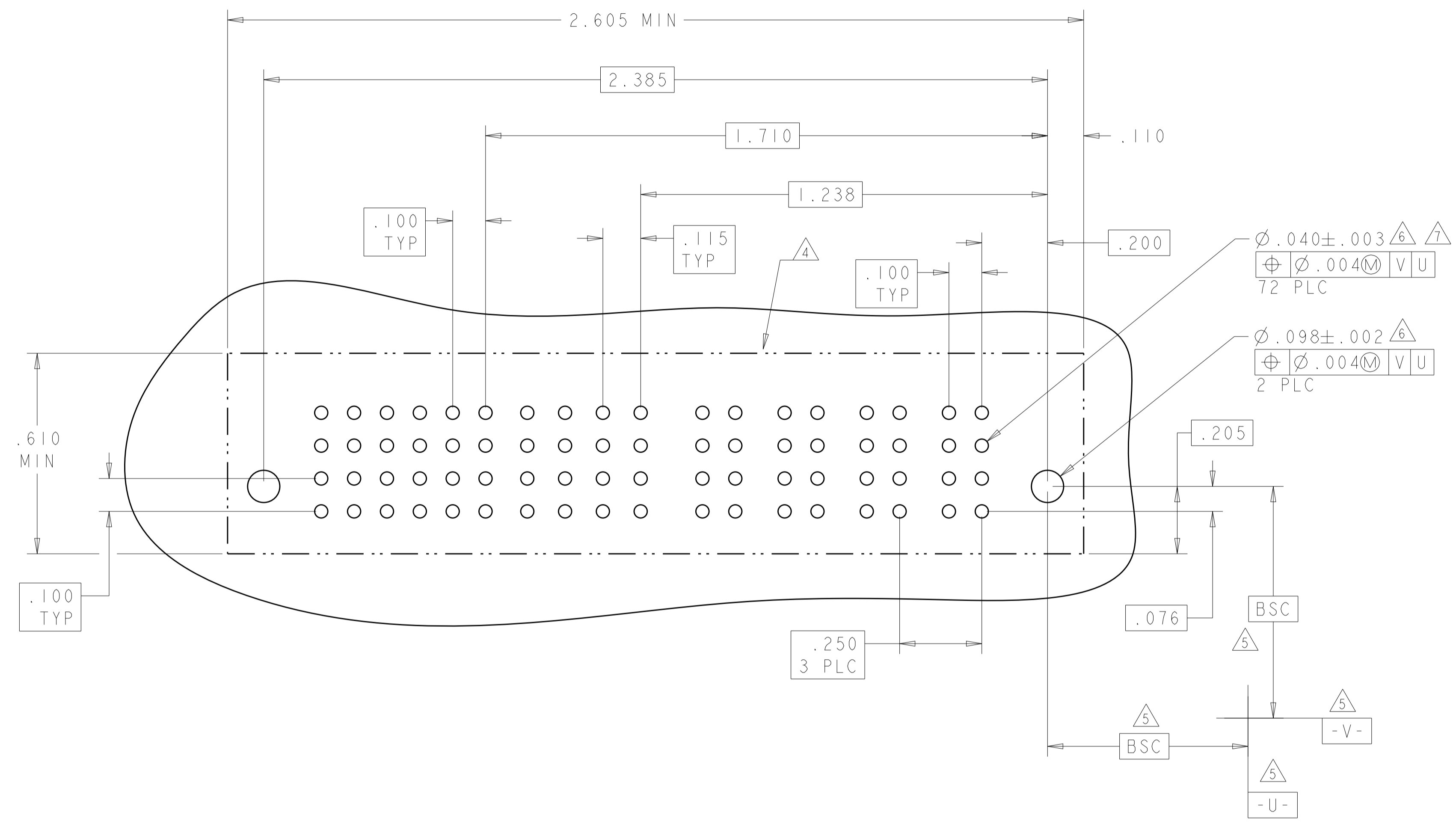
REVISIONS		DATE	BY	APPV
1	SEE SHEET 1			

PART NUMBER	ROWS	SIGNAL					POWER								
		6	5	4	3	2	1	P8	P7	P6	P5	P4	P3	P2	P1
6450852-2	D	E	E	E	E	E	LM	LM	LM	LM	VM	VM	VM	VM	
	C	E	E	E	E	E	LM	LM	LM	LM	VM	VM	VM	VM	
	B	E	E	E	E	E	LM	LM	LM	LM	VM	VM	VM	VM	
	A	E	E	E	E	E	LM	LM	LM	LM	VM	VM	VM	VM	

4P + 4LP + 24S

PART NUMBER	ROWS	SIGNAL					POWER										
		6	5	4	3	2	1	P10	P9	P8	P7	P6	P5	P4	P3	P2	P1
6450852-3	D	E	E	E	E	E	VM	VM	VM	VM	VM	VM	VM	VM	VM	VM	
	C	E	E	E	E	E	VM	VM	VM	VM	VM	VM	VM	VM	VM	VM	
	B	E	E	E	E	E	VM	VM	VM	VM	VM	VM	VM	VM	VM	VM	
	A	E	E	E	E	E	VM	VM	VM	VM	VM	VM	VM	VM	VM	VM	

10HDP + 24S



THIS DRAWING IS A CONTROLLED DOCUMENT.

DIMENSIONS:	TOLERANCES UNLESS OTHERWISE SPECIFIED:	OWN	28MAY2008
INCHES	0 PLC ±	CHK	H.LIU
	1 PLC ±.01	CHK	S.ZHAO
	2 PLC ±.01	APVD	S.YAO
	3 PLC ±.005	PRODUCT SPEC	
	4 PLC ±.0020	APPLICATION SPEC	
	ANGLES ±.2°	114-13038	
MATERIAL	FINISH	WEIGHT	

STE TE Connectivity

NAME: VERTICAL RECEPTACLE ASSEMBLY, WITH GUIDES MULTI-BEAM XLE

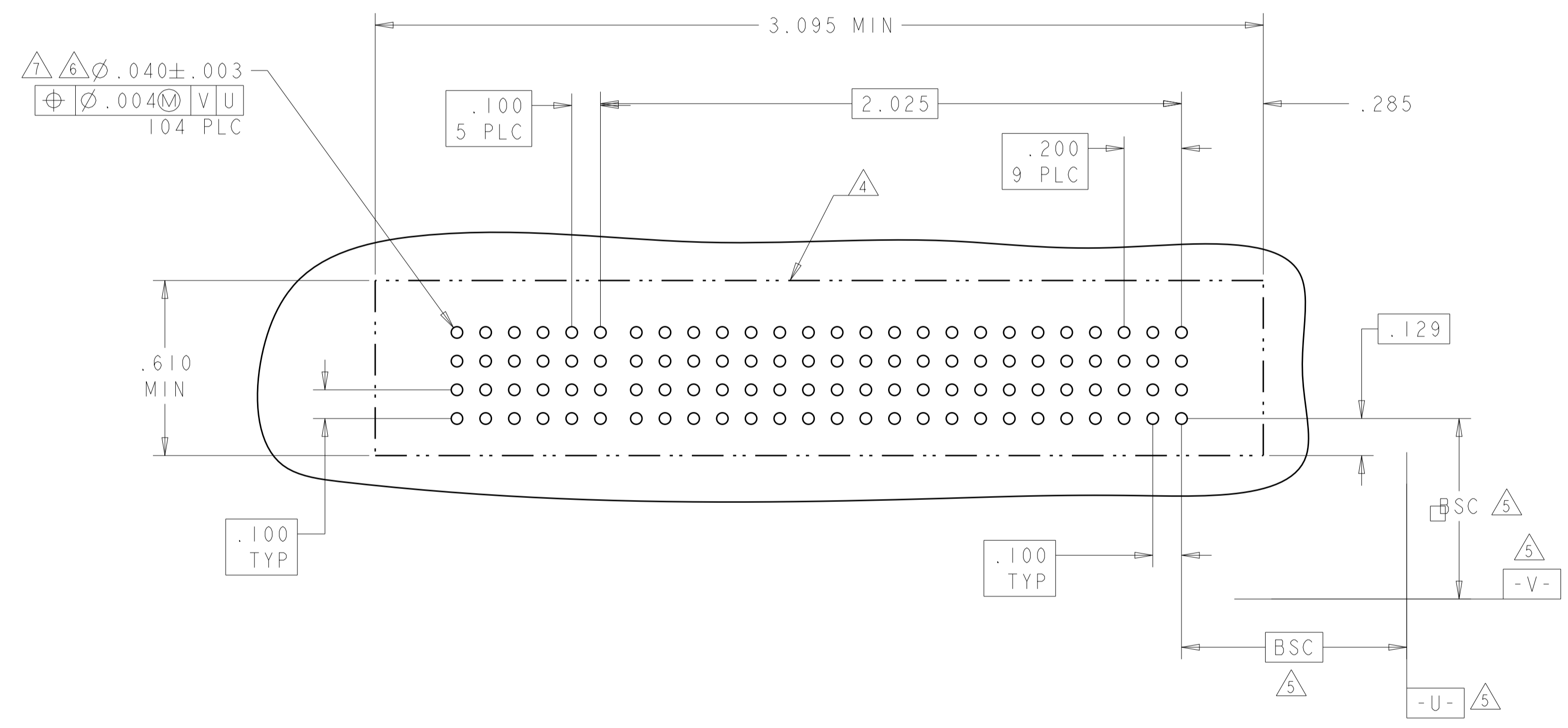
SIZE: A1 00779 C=6450852

CUSTOMER DRAWING SCALE: 4:1 SHEET 5 OF 10 REV: C2

LOC	DIST	REVISIONS					
		P	LTN	DESCRIPTION	DATE	DMN	APVD
ES	00	-	-	SEE SHEET 1	-	-	-

PART NUMBER	ROWS	SIGNAL					POWER										
		6	5	4	3	2	1	P10	P9	P8	P7	P6	P5	P4	P3	P2	P1
6450852-4	D	E	E	E	E	E	VM	VM	VM	VM	VM	VM	VM	VM	VM	VM	VM
	C	E	E	E	E	E	VM	VM	VM	VM	VM	VM	VM	VM	VM	VM	VM
	B	E	E	E	E	E	VM	VM	VM	VM	VM	VM	VM	VM	VM	VM	VM
	A	E	E	E	E	E	VM	VM	VM	VM	VM	VM	VM	VM	VM	VM	VM

10HDP + 24S



THIS DRAWING IS A CONTROLLED DOCUMENT.		DMN: H.LIU 28MAY2008	STE TE Connectivity
DIMENSIONS: INCHES		CHK: S.ZHAO 28MAY2008	
TOLERANCES UNLESS OTHERWISE SPECIFIED:		APVD: S.YAO	NAME: VERTICAL RECEPTACLE ASSEMBLY, WITH GUIDES MULTI-BEAM XLE
0 PLC ±.01		PRODUCT SPEC: 108-1973	SIZE: A1
1 PLC ±.01		APPLICATION SPEC: 114-13038	CAGE CODE: 6450852
2 PLC ±.01		WEIGHT: -	RESTRICTED TO: -
3 PLC ±.005		CUSTOMER DRAWING	SCALE: 4:1
4 PLC ±.0020			SHEET 6 OF 10
ANGLES: ±.2°			REV: C2

LOC		DIST		REVISIONS			
ES	00	P	LTN	DESCRIPTION	DATE	OWN	APVD
-	-	-	-	SEE SHEET 1	-	-	-

PART NUMBER	ROWS	POWER															
		4	3	2	1	P12	P11	P10	P9	P8	P7	P6	P5	P4	P3	P2	P1
6450852-5	D	E	E	E	E												
	C	E	E	E	E	VM	VM	VM	VM	VM	VM	VM	VM	VM	VM	VM	
	B	E	E	E	E												
	A	E	E	E	E												

3ACP + 9P + 16S

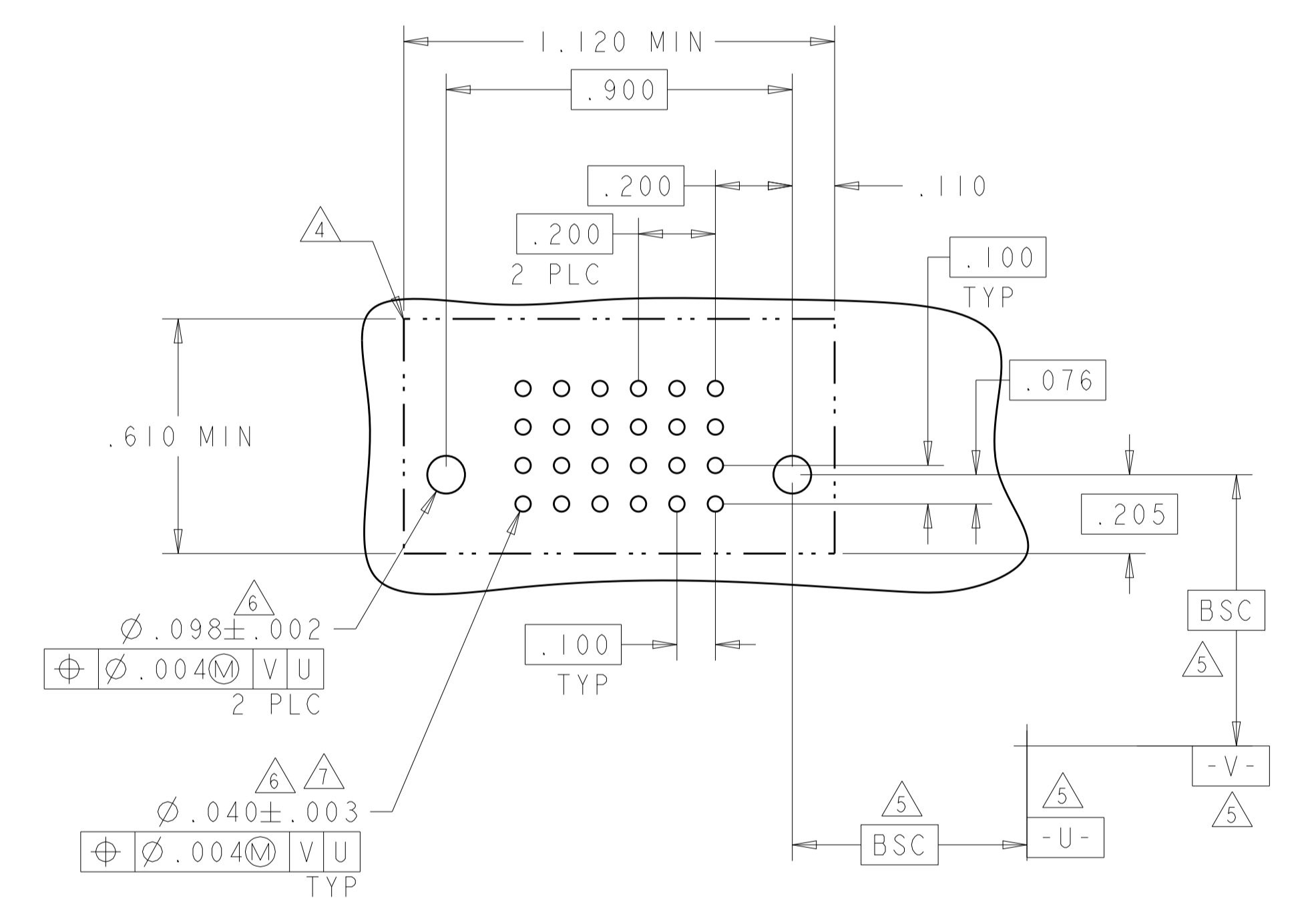
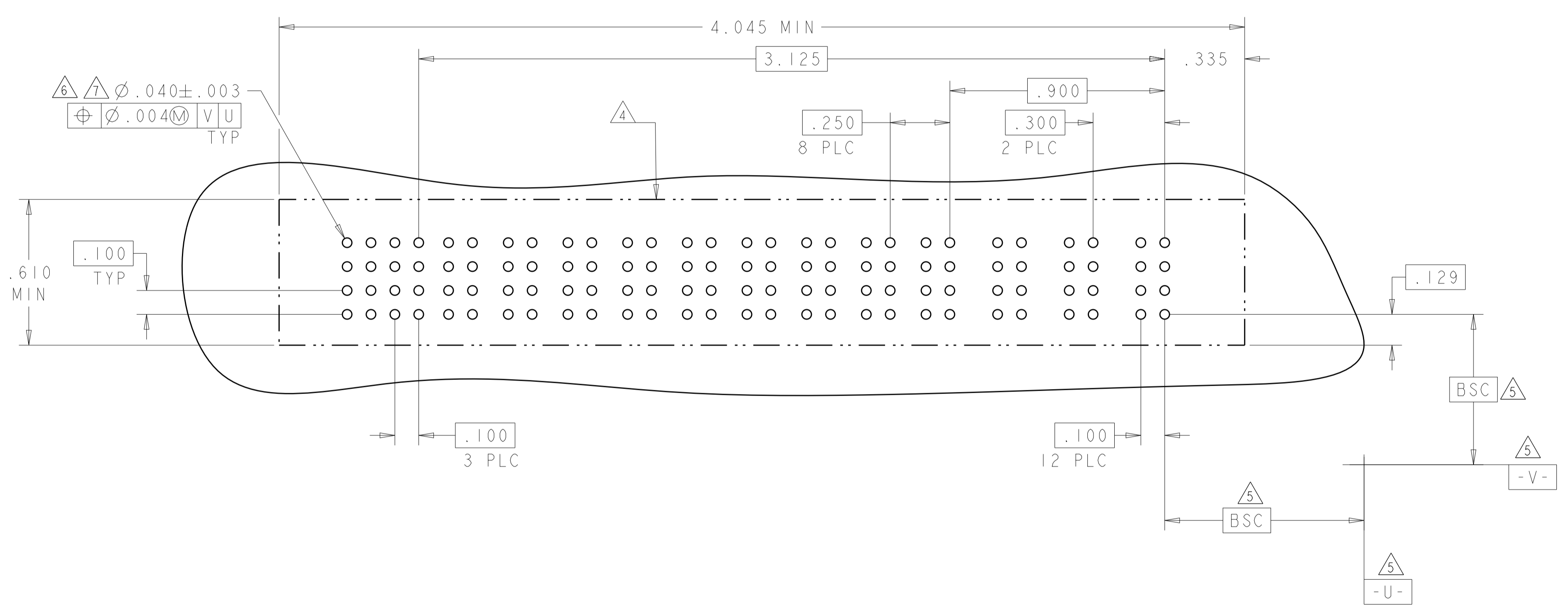
(B1)

.250
8 PLC

.300
3 PLC

PART NUMBER	ROWS	POWER		
		P3	P2	P1
6450852-6	D			
	C			
	B	VM	VM	VM
	A	HD		HD

3HDP



THIS DRAWING IS A CONTROLLED DOCUMENT.		OWN H. LIU 28MAY2008	NAME VERTICAL RECEPTACLE ASSEMBLY, WITH GUIDES MULTI-BEAM XLE
DIMENSIONS: INCHES		CHK S. ZHAO 28MAY2008	RESTRICTED TO
TOLERANCES UNLESS OTHERWISE SPECIFIED:		APVD S. YAO	SCALE 4:1
0 PLC ±.	PRODUCT SPEC	SIZE	SHEET 7 OF 10
1 PLC ±.01	108-1973	CAGE CODE	REV C2
2 PLC ±.01	APPLICATION SPEC	DRAWING NO	
3 PLC ±.005	114-13038		
4 PLC ±.0020	WEIGHT		
ANGLES ±.020			
FINISH			
MATERIAL	CUSTOMER DRAWING		

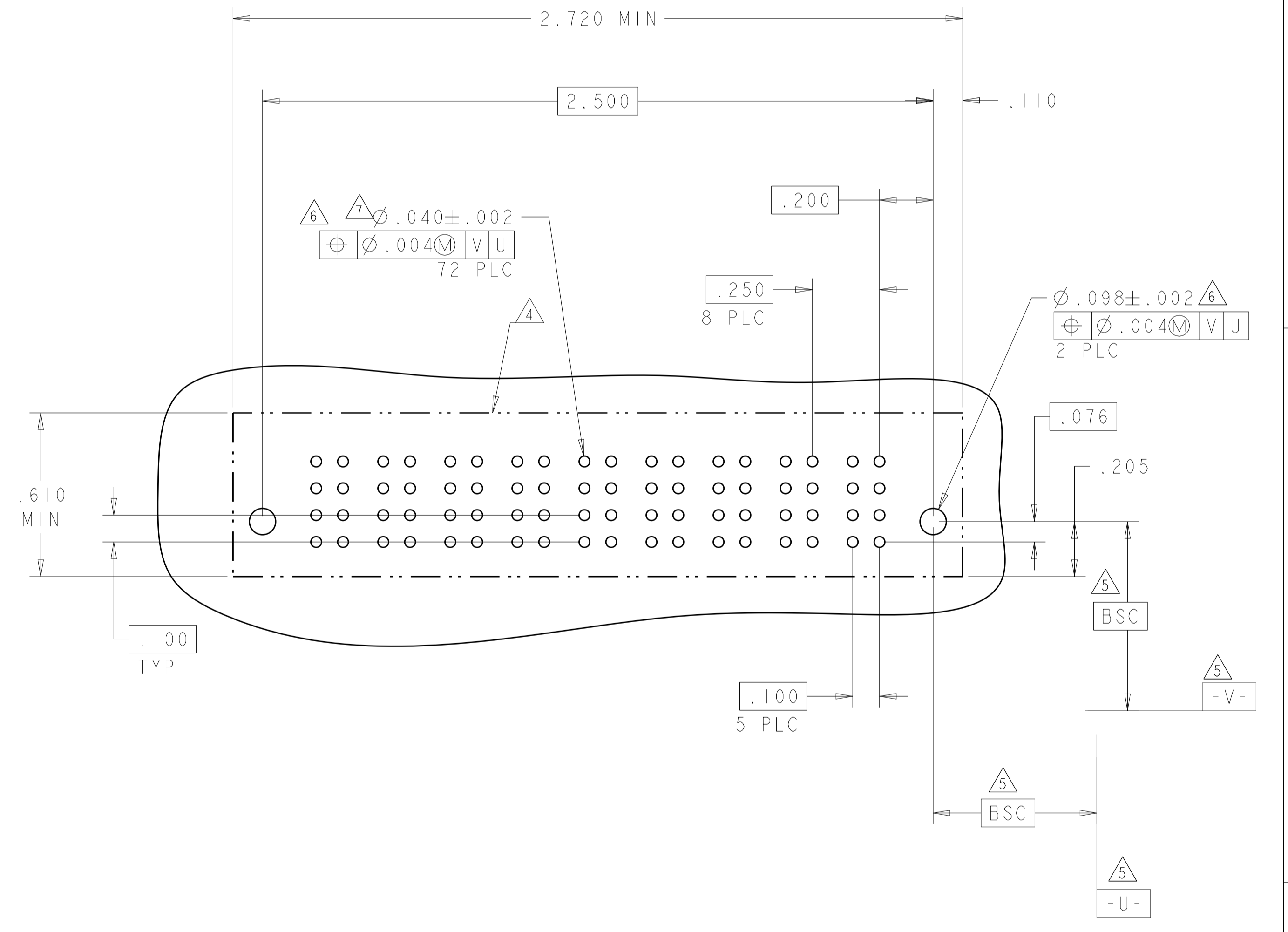
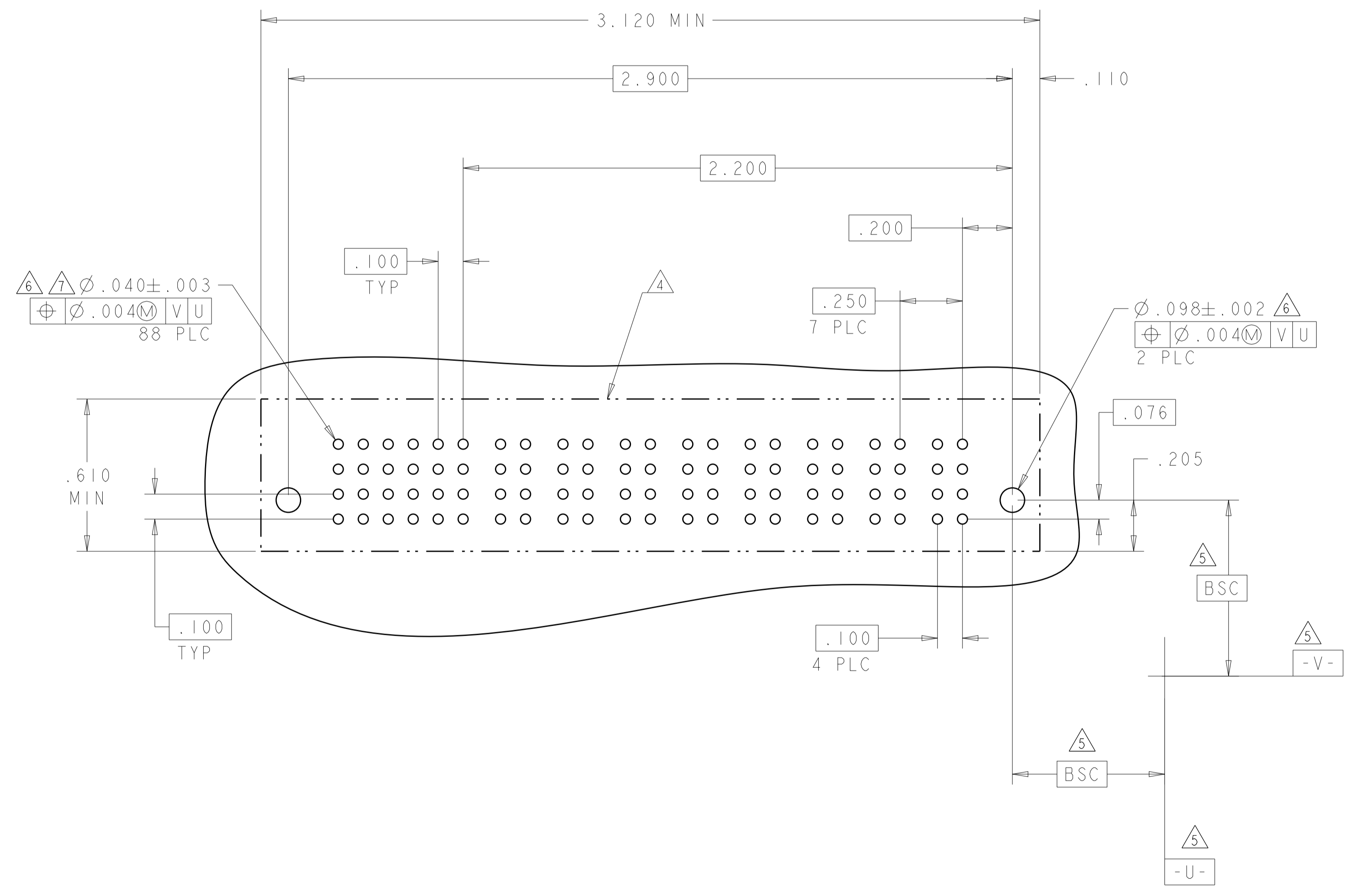
LOC	DIST	REV	DATE	BY	APPV
ES	00				
REVISIONS			DESCRIPTION	DATE	BY
			SEE SHEET 1		

PART NUMBER	ROWS	SIGNAL						POWER							
		6	5	4	3	2	1	P8	P7	P6	P5	P4	P3	P2	P1
6450852-8	D	E	E	E	E	E	E								
	C	E	E	E	E	E	E	VM	VM	VM	VM	VM	VM	VM	VA
	B	E	E	E	E	E	E								
	A	HD	E	E	E	E	E								HD

8P + 24S

PART NUMBER	ROWS	POWER								
		P9	P8	P7	P6	P5	P4	P3	P2	P1
6450852-9	D									
	C	VA	VM	VM	VM	VM	VM	VM	VM	
	B									
	A	HD								HD

9P



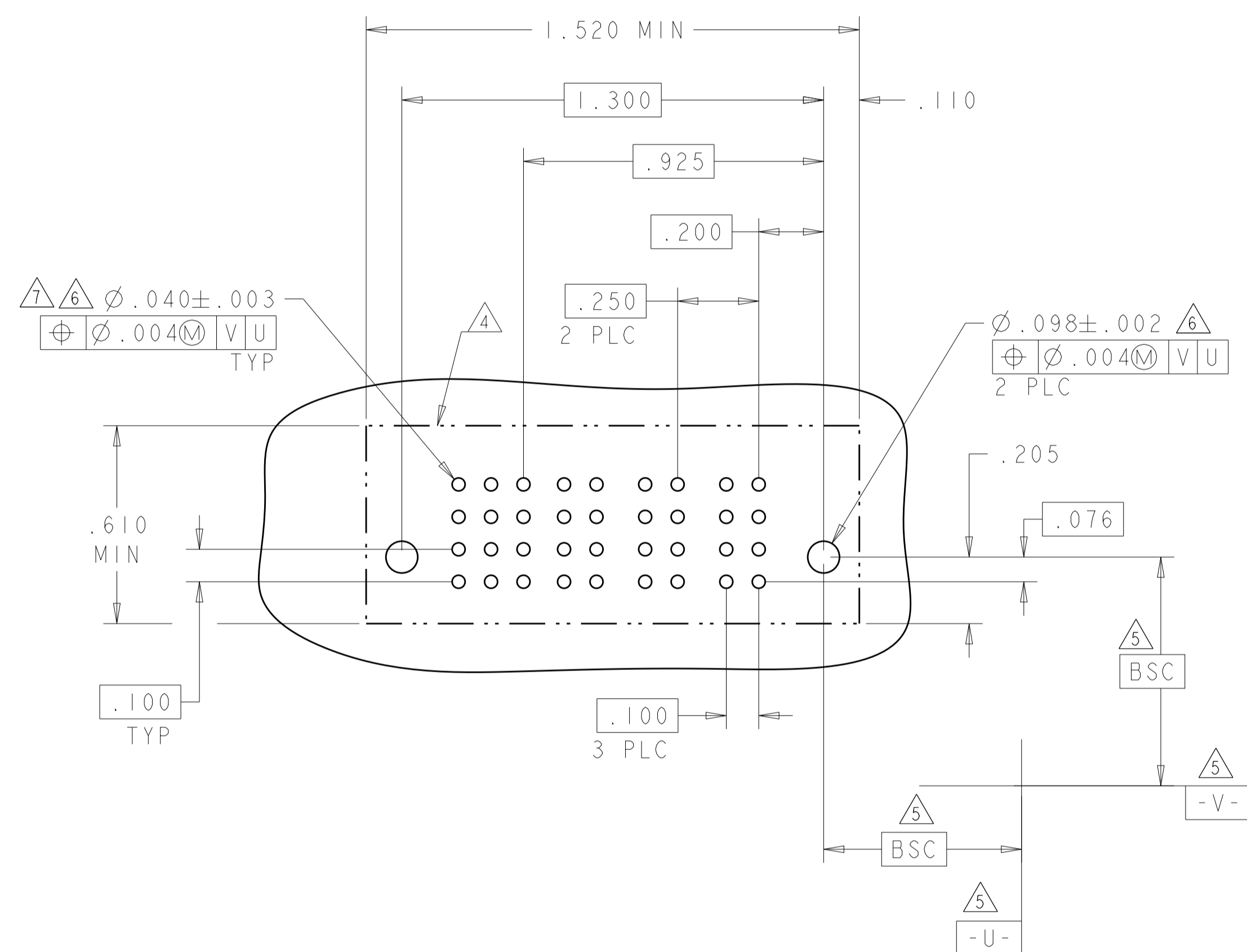
THIS DRAWING IS A CONTROLLED DOCUMENT.

DIMENSIONS: INCHES	TOLERANCES UNLESS OTHERWISE SPECIFIED:	DWN: H.LIU 28MAY2008	CHK: S.ZHAO 28MAY2008	APVD: S.YAO	NAME: VERTICAL RECEPTACLE ASSEMBLY, WITH GUIDES MULTI-BEAM XLE
0 PLC ±.01	1 PLC ±.01	PRODUCT SPEC: 108-1973	APPLICATION SPEC: 114-13038	WEIGHT: -	SIZE: A1
2 PLC ±.01	3 PLC ±.005	SCALE: 4:1	SHEET: 9 OF 10	REV: C2	
4 PLC ±.0020	ANGLES ±.2°	CUSTOMER DRAWING			

4805 (3/11)

LOC	DIST	REVISIONS			
P	LTN	DESCRIPTION	DATE	DMN	APVD
ES	00	- SEE SHEET 1	-	-	-

PART NUMBER	ROWS	SIGNAL			POWER		
		3	2	1	P3	P2	P1
1-6450852-2	D	E	E	E	VM	VM	VM
	C	E	E	E			
	B	E	E	E			
	A	E	E	E			
3P + 12S		HD					HD



THIS DRAWING IS A CONTROLLED DOCUMENT.		DMN H. LIU CHK S. ZHAO	28MAY2008 28MAY2008	TE Connectivity
DIMENSIONS: INCHES	TOLERANCES UNLESS OTHERWISE SPECIFIED:	APVD S. YAO	NAME VERTICAL RECEPTACLE ASSEMBLY, WITH GUIDES MULTI-BEAM XLE	
	0 PLC ±	PRODUCT SPEC	SIZE A100779C=6450852	RESTRICTED TO
	1 PLC ±.01	108-1973	SCALE 4:1	
MATERIAL	2 PLC ±.01	APPLICATION SPEC	SHEET 10 OF 10	REV C2
FINISH	3 PLC ±.005	114-13038	SCALE 4:1	
	4 PLC ±.0020	WEIGHT		
	ANGLES ±.2°	CUSTOMER DRAWING		