

6376611-2 ✓ ACTIVE

AMPMODU | [Micro Stack](#)

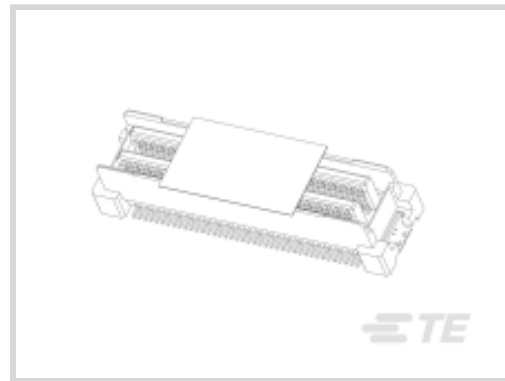
TE Internal #: 6376611-2

Micro Stack, PCB Mount Header, Vertical, Board-to-Board, 80 Position, .023in [.6mm] Centerline, Partially Shrouded, Gold, Surface Mount, Signal, Black

[View on TE.com >](#)



Connectors > PCB Connectors > PCB Connector Headers & Receptacles



PCB Connector Assembly Type: **PCB Mount Header**

PCB Mount Orientation: **Vertical**

Connector System: **Board-to-Board**

Number of Positions: **80**

Centerline (Pitch): **.6 mm [ .023 in ]**

## Features

### Product Type Features

PCB Connector Assembly Type	PCB Mount Header
Connector System	Board-to-Board
Header Type	Partially Shrouded
Sealable	No
Connector & Contact Terminates To	Printed Circuit Board

### Configuration Features

Stackable	Yes
PCB Mount Orientation	Vertical
Number of Positions	80
Board-to-Board Configuration	Parallel

### Electrical Characteristics

Operating Voltage	10 VAC
-------------------	--------

### Body Features

Primary Product Color	Black
-----------------------	-------

### Contact Features

PCB Contact Termination Area Plating Material	Gold Flash
Contact Base Material	Copper Alloy



Contact Mating Area Plating Material	Gold
Contact Mating Area Plating Material Thickness	.3 $\mu$ m
Contact Type	Pin
Contact Current Rating (Max)	.5 A

### Termination Features

Rectangular Termination Post & Tail Thickness	.2 mm[.008 in]
Rectangular Termination Post & Tail Width	1 mm[.04 in]
Termination Method to Printed Circuit Board	Surface Mount

### Mechanical Attachment

PCB Mount Alignment Type	Solder Peg
PCB Mount Retention Type	Solder Peg
Mating Alignment	With
Mating Alignment Type	Chamfered Edges
PCB Mount Retention	With
PCB Mount Alignment	With
Connector Mounting Type	Board Mount

### Housing Features

Mating Entry Location	Top
Centerline (Pitch)	.6 mm[.023 in]
Housing Material	LCP (Liquid Crystal Polymer)

### Dimensions

Connector Height	6.76 mm[.265 in]
PCB Thickness (Recommended)	1.6 mm

### Usage Conditions

Operating Temperature Range	-55 – 85 °C[-67 – 185 °F]
-----------------------------	---------------------------

### Operation/Application

Assembly Process Feature	Pick and Place Cover
Circuit Application	Signal

### Industry Standards

UL Flammability Rating	UL 94V-0
------------------------	----------

### Packaging Features

Packaging Quantity	45
--------------------	----



Packaging Type Tray

### Product Compliance

[For compliance documentation, visit the product page on TE.com>](#)

EU RoHS Directive 2011/65/EU	Compliant
EU ELV Directive 2000/53/EC	Compliant
China RoHS 2 Directive MIIT Order No 32, 2016	No Restricted Materials Above Threshold
EU REACH Regulation (EC) No. 1907/2006	Current ECHA Candidate List: JUL 2021 (219) Candidate List Declared Against: JUN 2020 (209) SVHC > Threshold: Not Yet Reviewed
Halogen Content	Low Halogen - Br, Cl, F, I < 900 ppm per homogenous material. Also BFR/CFR/PVC Free
Solder Process Capability	Reflow solder capable to 260°C

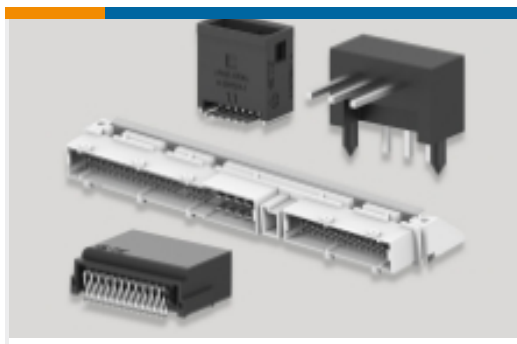
#### Product Compliance Disclaimer

This information is provided based on reasonable inquiry of our suppliers and represents our current actual knowledge based on the information they provided. This information is subject to change. The part numbers that TE has identified as EU RoHS compliant have a maximum concentration of 0.1% by weight in homogenous materials for lead, hexavalent chromium, mercury, PBB, PBDE, DBP, BBP, DEHP, DIBP, and 0.01% for cadmium, or qualify for an exemption to these limits as defined in the Annexes of Directive 2011/65/EU (RoHS2). Finished electrical and electronic equipment products will be CE marked as required by Directive 2011/65/EU. Components may not be CE marked. Additionally, the part numbers that TE has identified as EU ELV compliant have a maximum concentration of 0.1% by weight in homogenous materials for lead, hexavalent chromium, and mercury, and 0.01% for cadmium, or qualify for an exemption to these limits as defined in the Annexes of Directive 2000/53/EC (ELV). Regarding the REACH Regulation, the information TE provides on SVHC in articles for this part number is based on the latest European Chemicals Agency (ECHA) 'Guidance on requirements for substances in articles' posted at this URL: <https://echa.europa.eu/guidance-documents/guidance-on-reach>

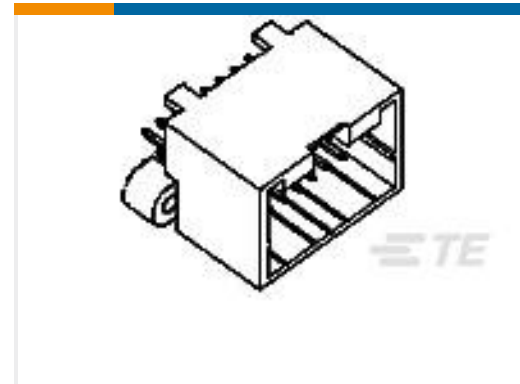
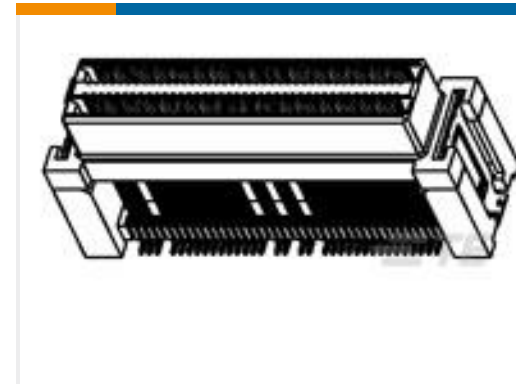
### Compatible Parts



### Also in the Series | [Micro Stack](#)

PCB Connector Headers & Receptacles  
(13)

## Customers Also Bought

TE Part #6437288-2  
SUPERSEAL 1.0 HEADERSTE Part #174977-2  
040 MLC CAP ASSY V 20PTE Part #6376608-1  
MICRO STACK REC ASSY 80PTE Part #1-928836-2  
MOD2 PIN WITH A-PIN L/PTE Part #1554218-1  
MICRO STACK HDR ASSY 80P H=16TE Part #3-1415020-1  
PT570N20

## Documents

### Product Drawings

[MICRO STACK HDR ASSY 80P H6.75](#)

English

### CAD Files

Customer View Model

[ENG\\_CVM\\_CVM\\_6376611-2\\_G.2d\\_dxf.zip](#)

English

3D PDF

3D

Customer View Model

[ENG\\_CVM\\_CVM\\_6376611-2\\_G.3d\\_igs.zip](#)

English

Customer View Model

[ENG\\_CVM\\_CVM\\_6376611-2\\_G.3d\\_stp.zip](#)

English

By downloading the CAD file I accept and agree to the [Terms and Conditions](#) of use.

6376611-2

Micro Stack, PCB Mount Header, Vertical, Board-to-Board, 80 Position, .023in [.6mm]  
Centerline, Partially Shrouded, Gold, Surface Mount, Signal, Black



---

## Product Specifications

### Product Specification

Japanese