



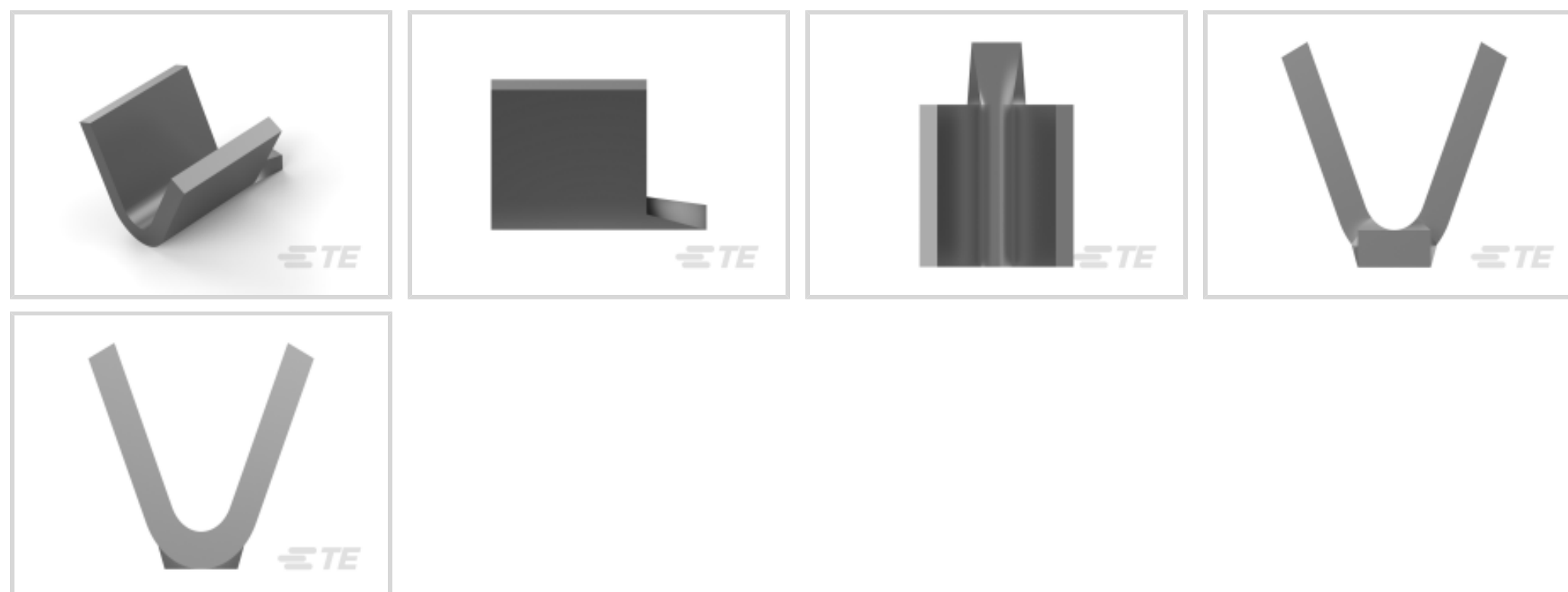
**SPLICE**

TE Internal #: 62759-2

Pigtail Splice / Thru Splice, 24 – 19 AWG, .2 – .65 mm<sup>2</sup> Wire, 400 – 1300 CMA, Uninsulated, 3 Splice Capacity, Serrated, Brass, 2 Serration, SPLICE

[View on TE.com >](#)

Terminals & Splices > Splices



Splice Type: **Pigtail Splice, Thru Splice**

Wire Size: .2 – .65 mm<sup>2</sup>

Sealable: **No**

Splice Capacity: 3

**Features**

**Product Type Features**

|  |                             |
|--|-----------------------------|
| Splice Type                            | Pigtail Splice, Thru Splice |
| Sealable                               | No                          |
| Compatible With Discrete Wire Type     | Magnet Wire, Solid          |
| Wire Insulation Support Retention Type | Non-Insulation Support      |

**Configuration Features**

|                      |           |
|----------------------|-----------|
| Strip Orientation    | Side Feed |
| Splice Capacity      | 3         |
| Number of Serrations | 2         |

**Electrical Characteristics**

|                   |       |
|-------------------|-------|
| Operating Voltage | 250 V |
|-------------------|-------|

**Body Features**

|                 |          |
|-----------------|----------|
| Splice Features | Serrated |
|-----------------|----------|

**Contact Features**

|                           |     |
|---------------------------|-----|
| Terminal Plating Material | Tin |
|---------------------------|-----|



|                       |       |
|-----------------------|-------|
| Contact Base Material | Brass |
|-----------------------|-------|

|             |      |
|-------------|------|
| Barrel Type | Open |
|-------------|------|

### Mechanical Attachment

|                         |         |
|-------------------------|---------|
| Wire Insulation Support | Without |
|-------------------------|---------|

### Dimensions

|           |                |
|-----------|----------------|
| Wire Size | 400 – 1300 CMA |
|-----------|----------------|

|                             |                 |
|-----------------------------|-----------------|
| Terminal Material Thickness | .41 mm[.016 in] |
|-----------------------------|-----------------|

|                |                |
|----------------|----------------|
| Product Length | 2.54 mm[.1 in] |
|----------------|----------------|

### Usage Conditions

|                   |             |
|-------------------|-------------|
| Insulation Option | Uninsulated |
|-------------------|-------------|

|                             |                            |
|-----------------------------|----------------------------|
| Operating Temperature Range | -40 – 110 °C[-40 – 230 °F] |
|-----------------------------|----------------------------|

### Operation/Application

|                                    |        |
|------------------------------------|--------|
| Compatible With Wire Base Material | Copper |
|------------------------------------|--------|

### Industry Standards

|                             |    |
|-----------------------------|----|
| Government Qualified Splice | No |
|-----------------------------|----|

### Packaging Features

|                  |       |
|------------------|-------|
| Packaging Method | Strip |
|------------------|-------|

## Product Compliance

[For compliance documentation, visit the product page on TE.com>](#)

|                              |           |
|------------------------------|-----------|
| EU RoHS Directive 2011/65/EU | Compliant |
|------------------------------|-----------|

|                             |           |
|-----------------------------|-----------|
| EU ELV Directive 2000/53/EC | Compliant |
|-----------------------------|-----------|

|   |   |
|---|---|
| China RoHS 2 Directive MIIT Order No 32, 2016 | No Restricted Materials Above Threshold |
|---|---|

|  |   |
|--|---|
| EU REACH Regulation (EC) No. 1907/2006 | Current ECHA Candidate List: JAN 2025 (247)<br>Candidate List Declared Against: JAN 2025 (247)<br>Does not contain REACH SVHC |
|--|---|

|                 |   |
|-----------------|---|
| Halogen Content | Low Halogen - Br, Cl, F, I < 900 ppm per homogenous material. Also BFR/CFR/PVC Free |
|-----------------|---|

|                           |  |
|---------------------------|--|
| Solder Process Capability | Not applicable for solder process capability |
|---------------------------|--|

Product Compliance Disclaimer

This information is provided based on reasonable inquiry of our suppliers and represents our current actual knowledge based on the information they provided. This information is subject to change. The part numbers that TE has identified as EU RoHS compliant have a maximum concentration of 0.1% by weight in homogenous materials for lead, hexavalent chromium, mercury, PBB, PBDE, DBP, BBP, DEHP, DIBP, and 0.01% for cadmium, or qualify for an exemption to these limits as defined in the Annexes of Directive 2011/65/EU (RoHS2). Finished electrical and electronic equipment products will be CE marked as required by Directive 2011/65/EU. Components may not be CE marked. Additionally, the part numbers that TE has identified as EU ELV compliant have a maximum concentration of 0.1% by weight in homogenous materials for lead, hexavalent chromium, and mercury, and 0.01% for cadmium, or qualify for an exemption to these limits as defined in the Annexes of Directive 2000/53/EC (ELV). Regarding the REACH Regulation, the information TE provides on SVHC in articles for this part number is based on the latest European Chemicals Agency (ECHA) 'Guidance on requirements for substances in articles' posted at this URL: <https://echa.europa.eu/guidance-documents/guidance-on-reach>

## Compatible Parts

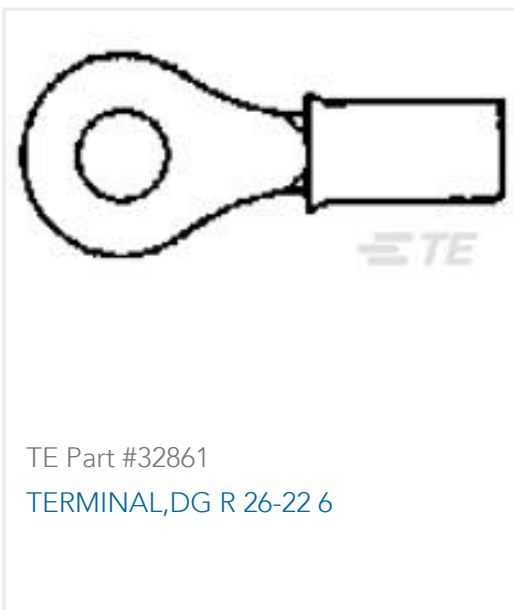


## Also in the Series | SPLICE



## Customers Also Bought





## Documents

### Product Drawings

[SPLICE 400-1300 .016 TPBR](#)

English

### CAD Files

[3D PDF](#)

3D

Customer View Model

[ENG\\_CVM\\_CVM\\_62759-2\\_U\\_c-62759-2-u.2d\\_dxf.zip](#)

English

Customer View Model

[ENG\\_CVM\\_CVM\\_62759-2\\_U\\_c-62759-2-u.3d\\_igs.zip](#)

English

Customer View Model

[ENG\\_CVM\\_CVM\\_62759-2\\_U\\_c-62759-2-u.3d\\_stp.zip](#)

English

By downloading the CAD file I accept and agree to the [Terms and Conditions](#) of use.

### Product Specifications

[Application Specification](#)

English