



Product Compliance

[For compliance documentation, visit the product page on TE.com>](#)

EU RoHS Directive 2011/65/EU	Compliant
EU ELV Directive 2000/53/EC	Compliant
China RoHS 2 Directive MIIT Order No 32, 2016	No Restricted Materials Above Threshold
EU REACH Regulation (EC) No. 1907/2006	<p>Current ECHA Candidate List: JAN 2025 (247)</p> <p>Candidate List Declared Against: JAN 2025 (247)</p> <p>SVHC > Threshold:</p> <p>Dodecamethylcyclhexasiloxane (D6) (.5% in 27520056302)</p> <p>Decamethylcyclopentasiloxane (D5) (.5% in 27520056302)</p> <p>Octamethylcyclotetrasiloxane (D4) (.5% in 27520056302)</p> <p>Article Safe Usage Statements: Wash thoroughly after handling. Recycle if possible and dispose of the article by following all applicable governmental regulations relevant to your geographic location.</p>
Halogen Content	Low Halogen - Br, Cl, F, I < 900 ppm per homogenous material. Also BFR/CFR/PVC Free
Solder Process Capability	Not applicable for solder process capability

Product Compliance Disclaimer

This information is provided based on reasonable inquiry of our suppliers and represents our current actual knowledge based on the information they provided. This information is subject to change. The part numbers that TE has identified as EU RoHS compliant have a maximum concentration of 0.1% by weight in homogenous materials for lead, hexavalent chromium, mercury, PBB, PBDE, DBP, BBP, DEHP, DIBP, and 0.01% for cadmium, or qualify for an exemption to these limits as defined in the Annexes of Directive 2011/65/EU (RoHS2). Finished electrical and electronic equipment products will be CE marked as required by Directive 2011/65/EU. Components may not be CE marked. Additionally, the part numbers that TE has identified as EU ELV compliant have a maximum concentration of 0.1% by weight in homogenous materials for lead, hexavalent chromium, and mercury, and 0.01% for cadmium, or qualify for an exemption to these limits as defined in the Annexes of Directive 2000/53/EC (ELV). Regarding the REACH Regulation, the information TE provides on SVHC in articles for this part number is based on the latest European Chemicals Agency (ECHA) 'Guidance on requirements for substances in articles' posted at this URL: <https://echa.europa.eu/guidance-documents/guidance-on-reach>

Customers Also Bought



TE Part #520973-2
ULTRA-POD 187 ASSY REC 20-16
AWG TPBR



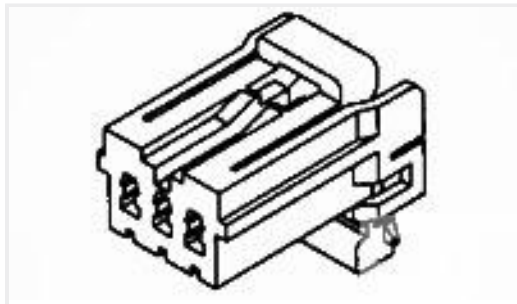
TE Part #2-1670916-1
2POS, MCON 1.2 LL REC SEALED



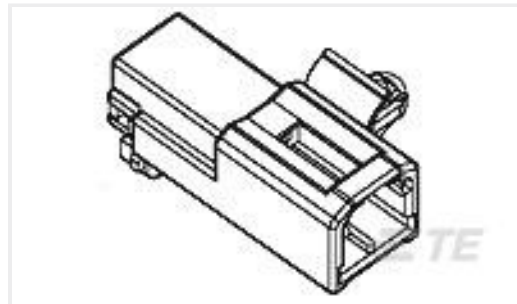
TE Part #1703278-5
TAB A 1.6x0.6 CONTACT CS SWS Ag



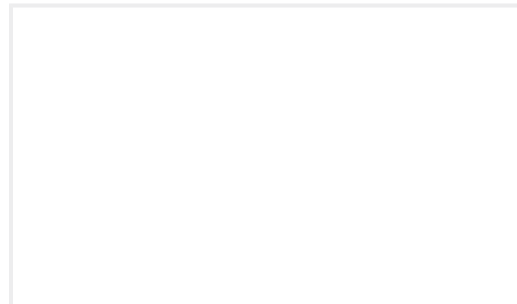
TE Part #CAT-N14-RC4812
48V Ready 1.2mm Sealed Connectors



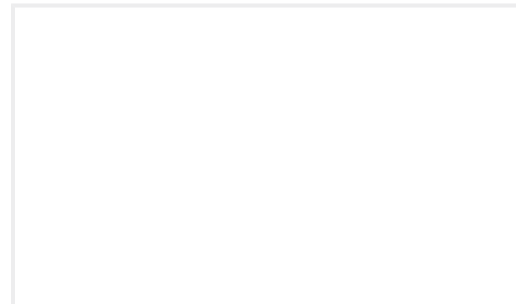
TE Part #174923-2
070 MLC W-W PLUG HSG 6P SGL



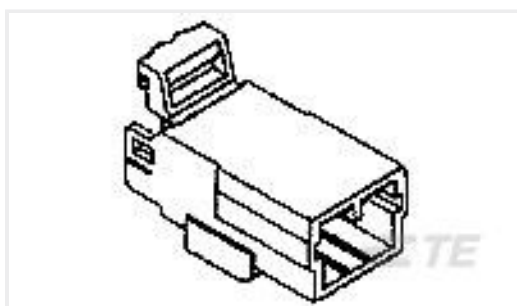
TE Part #178602-2
070 MLC



TE Part #6-2203663-0
2X9 SEALED PLUG ASSY CPA KEY B



TE Part #6-2203663-7
2X9 SEALED PLUG ASSY CPA KEY C



TE Part #174930-2
070 MLC W-W CAP HSG 6P BLACK

Documents

CAD Files

3D PDF

3D

Customer View Model

[ENG_CVM_CVM_6-2203663-2_A.2d_dxf.zip](#)

English

Customer View Model

[ENG_CVM_CVM_6-2203663-2_A.3d_igs.zip](#)

English

Customer View Model

[ENG_CVM_CVM_6-2203663-2_A.3d_stp.zip](#)

English

By downloading the CAD file I accept and agree to the [Terms and Conditions](#) of use.

Product Specifications

Application Specification

English